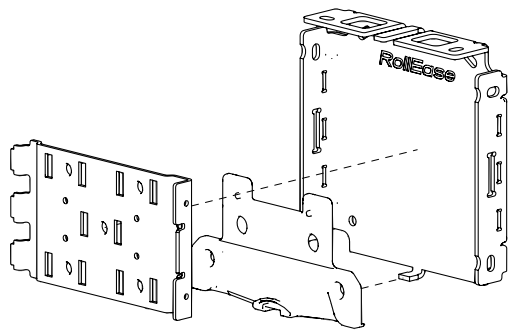


## 5" FASCIA - SKYLINE CLUTCH | DUAL

### Pin End Assembly

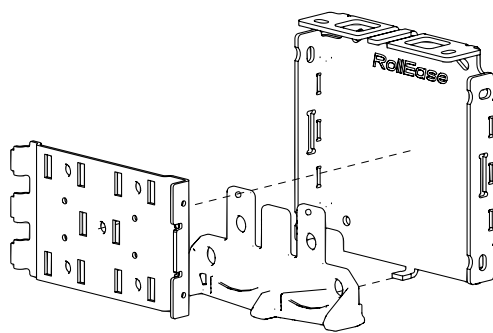
NOTE: Once the Insert Plate is assembled with the bracket, it cannot be released.



OPTIONAL:  
Use a Mallet to snap the Skyline Insert Plate to the bracket

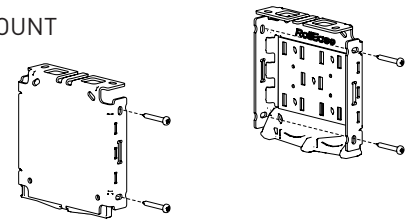
### Control End Assembly

NOTE: Once the Insert Plate is assembled with the bracket, it cannot be released.

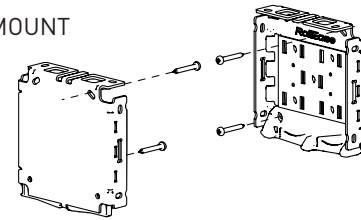


OPTIONAL:  
Use a Mallet to snap the Skyline Insert Plate to the bracket

### WALL MOUNT

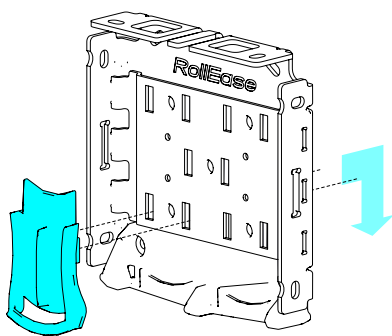


### INSIDE MOUNT



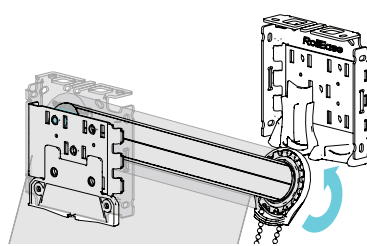
For Inside Mount:  
Attach Fascia before continuing

### Attach Chain Diverter to bracket Assembly



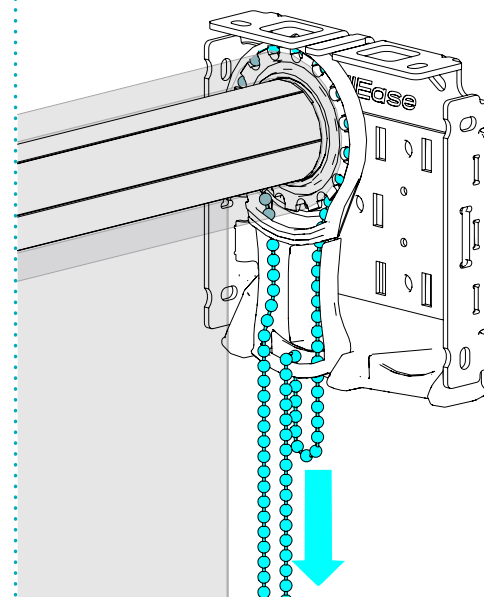
Push hooks through the bracket and pull down

### Attach Top Roller Assembly Pin first

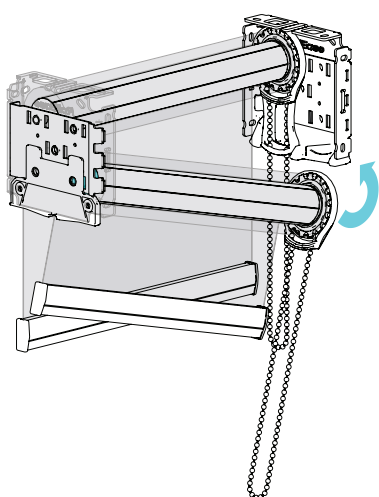


Push hooks through the bracket and pull down

### Pull Chain through Chain Diverter

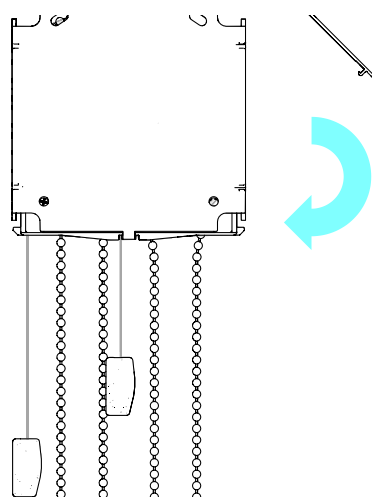


### Attach Bottom Roller Assembly Pin first



Push hooks through the bracket and pull down

### Attach Fascia Panels Outside Mount:



### Attach Bracket Covers

