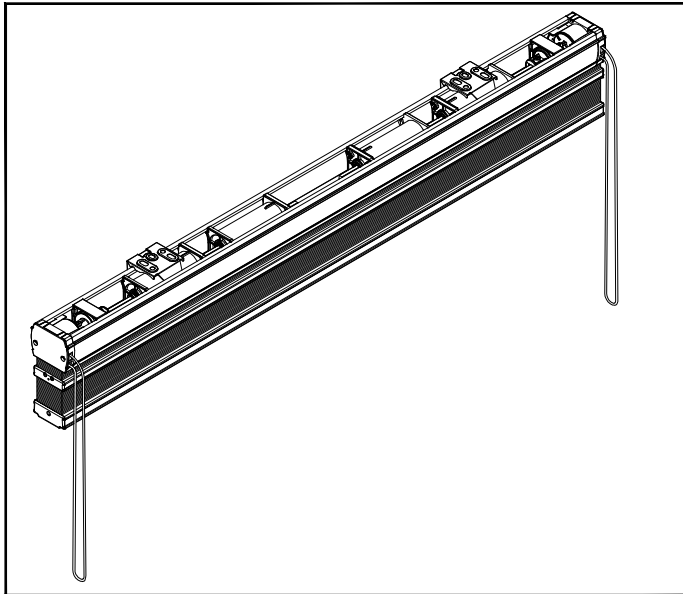
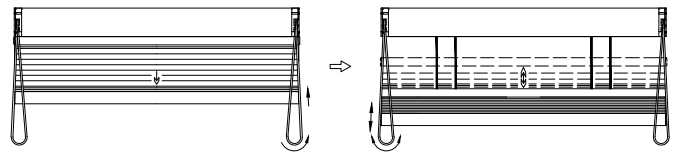


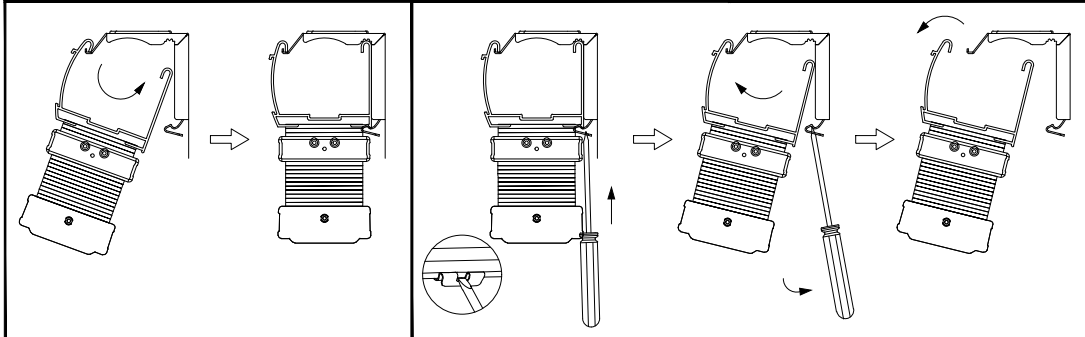
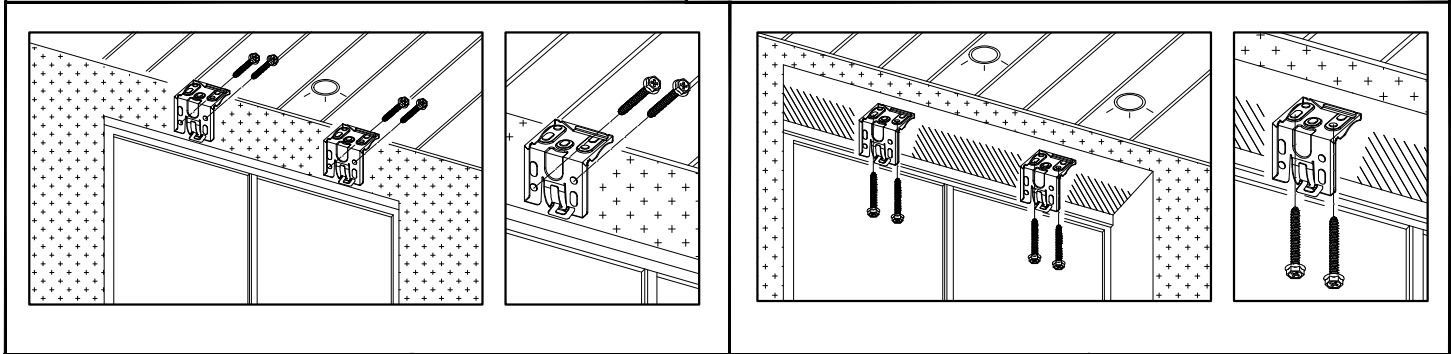
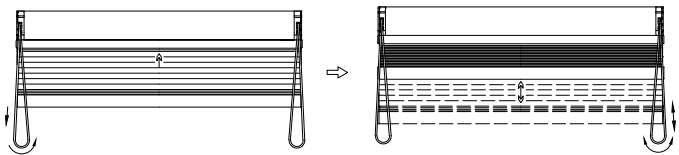
Cellular Clutch Top Down Bottom Up and Day/Night Shades Installation Instruction

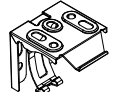


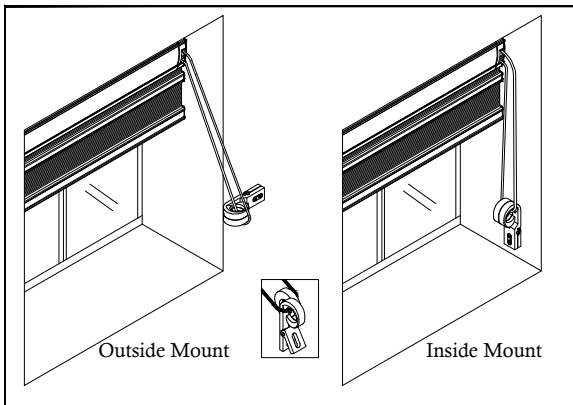
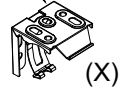
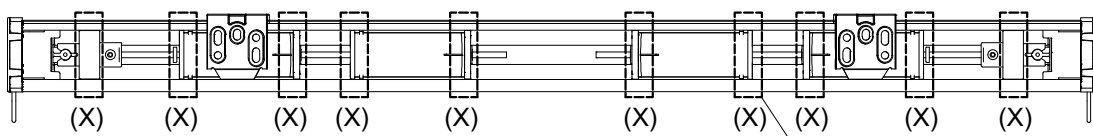
When lower the shade, pull the right cord to lower the bottom rail first, and then pull the left cord to lower or adjust the location of the middle rail.




When raise the shade, pull the left cord to raise the middle rail first, and then pull the right cord to raise the bottom rail.



	
$22.4" \leq W \leq 39.5$	2 sets
$39.5" < W \leq 67"$	3 sets
$67" < W \leq 96"$	4 sets
$96" < W \leq 118"$	5 sets



WARNING/ADVERTENCIA



Window blind cord can STRANGLE your child. To prevent strangulation, purchase cordless products or products with inaccessible cords.

La cuerda de la persiana puede ESTRANGULAR a su niño. Para evitar el estrangulamiento, compre alternativas cuerda o productos con cuerdas inaccesibles.