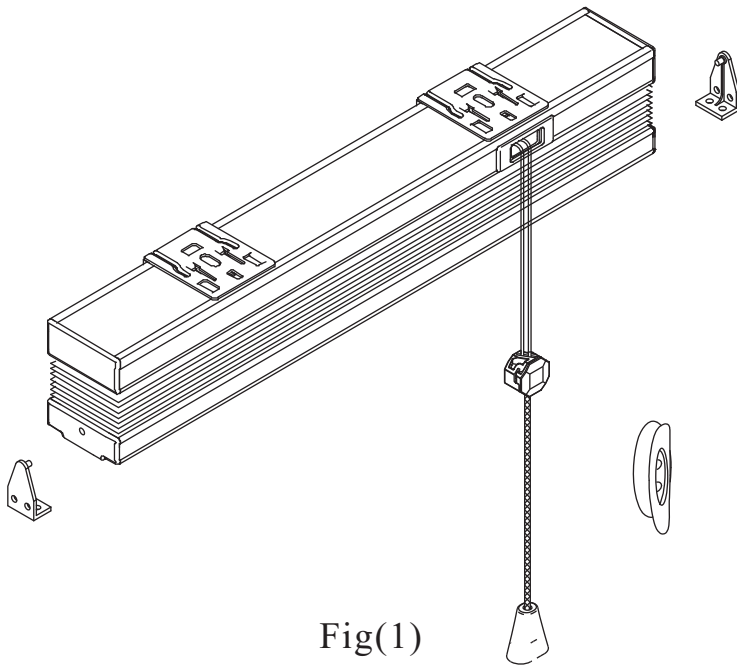


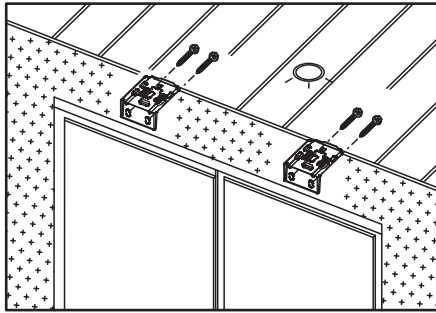
Corded Cellular Shade Installation Instruction



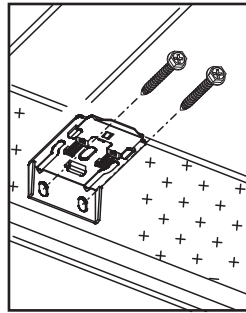
Number of parts included with each shade

| Shade Width | Brackets | Screws for Brackets | Cord Cleat | Screws for Cord Cleat |
|-------------|----------|---------------------|------------|-----------------------|
| 5"- 47.9" | 2 | 4 | 1 | 2 |
| 48"- 72.9" | 3 | 6 | 1 | 2 |
| 73"- 95.9" | 4 | 8 | 1 | 2 |
| 96"- 120.9" | 5 | 10 | 1 | 2 |
| 121"- 144" | 6 | 12 | 1 | 2 |

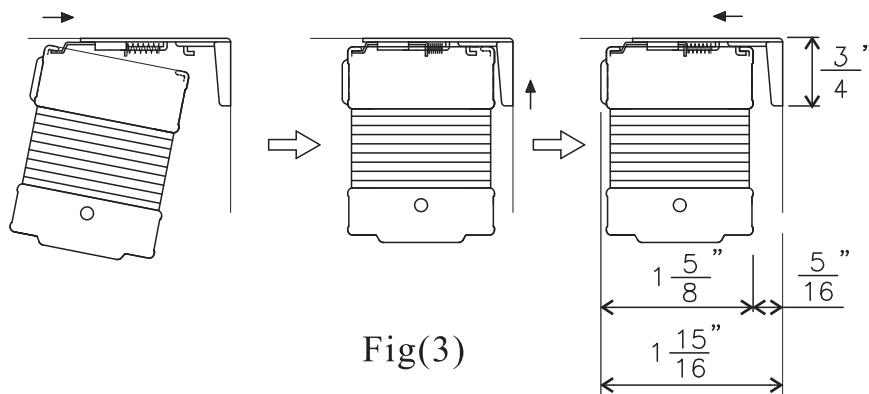
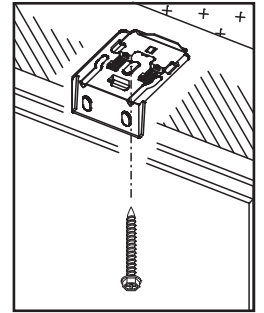
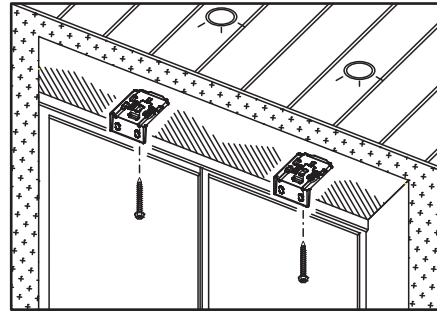
Fig(1)



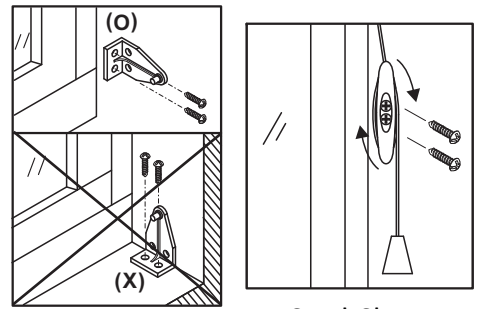
Fig(2-1) Outside mount



Fig(2-2) Inside mount



Fig(3)



Cord Cleat

Fig(4)

IMPORTANT NOTES:

Always tie the cord to the cord cleat after shade is raised or lowered for safety reasons. Please allow 24 hours for your shade to drop to its actual height when first installed due to the nature of the fabric.

! WARNING/ADVERTENCIA

Window blind cord can STRANGLE your child.
To prevent strangulation, purchase cordless products or products with inaccessible cords.

La cuerda de la persiana puede ESTRANGULAR a su niño.
Para evitar el estrangulamiento, compre alternativas cuerda o productos con cuerdas inaccesibles.