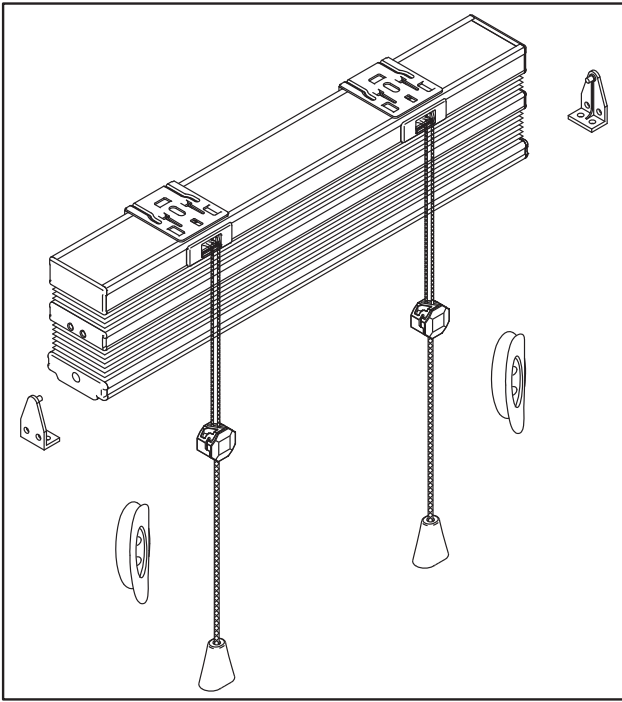
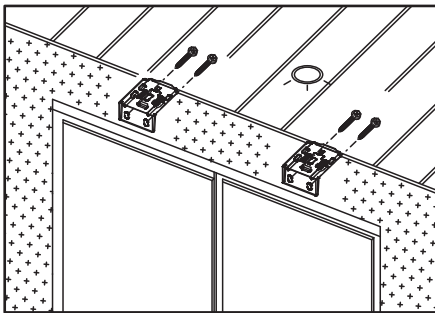


# Corded Top Down Bottom Up Cellular Shade Installation Instruction

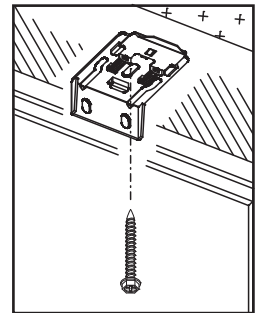
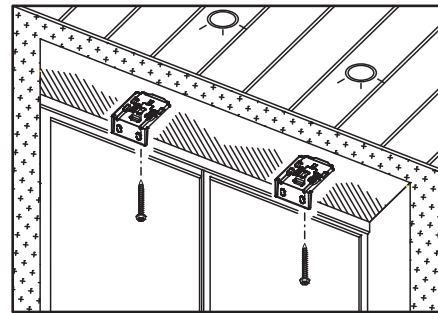
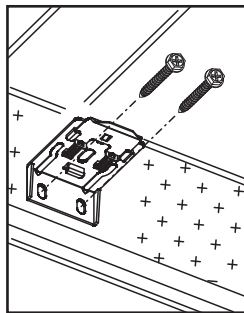


Number of parts included with each shade

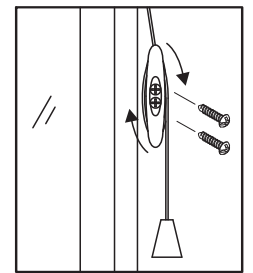
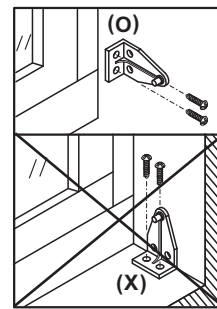
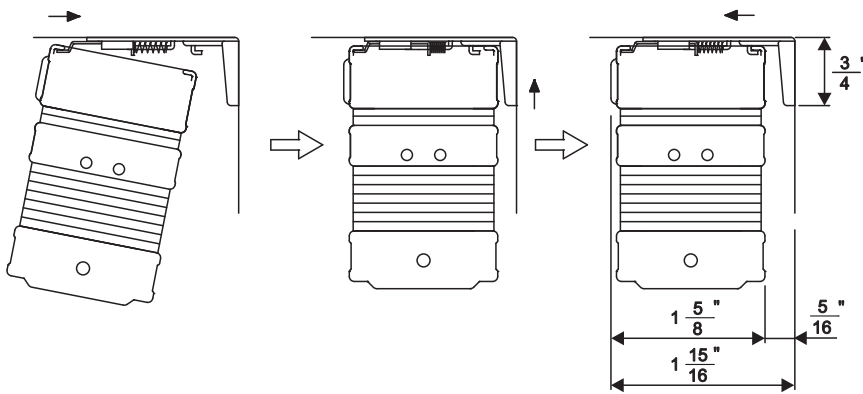
Shade Width	Brackets	Screws for Brackets	Cord Cleat	Screws for Cord Cleat
5" - 47.9"	2	4	2	4
48" - 72.9"	3	6	2	4
73" - 95.9"	4	8	2	4
96" - 120.9"	5	10	2	4
121" - 144"	6	12	2	4



Outside Mount



Inside Mount

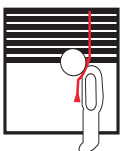


Cord Cleat

## IMPORTANT NOTES:

Always tie the cord to the cord cleat after shade is raised or lowered for safety reasons. Please allow 24 hours for your shade to drop to its actual height when first installed due to the nature of the fabric.

## ! WARNING/ADVERTENCIA



Window blind cord can STRANGLE your child.  
To prevent strangulation, purchase cordless products or products with inaccessible cords.

La cuerda de la persiana puede ESTRANGULAR a su niño.  
Para evitar el estrangulamiento, compre alternativas cuerda o productos con cuerdas inaccesibles.