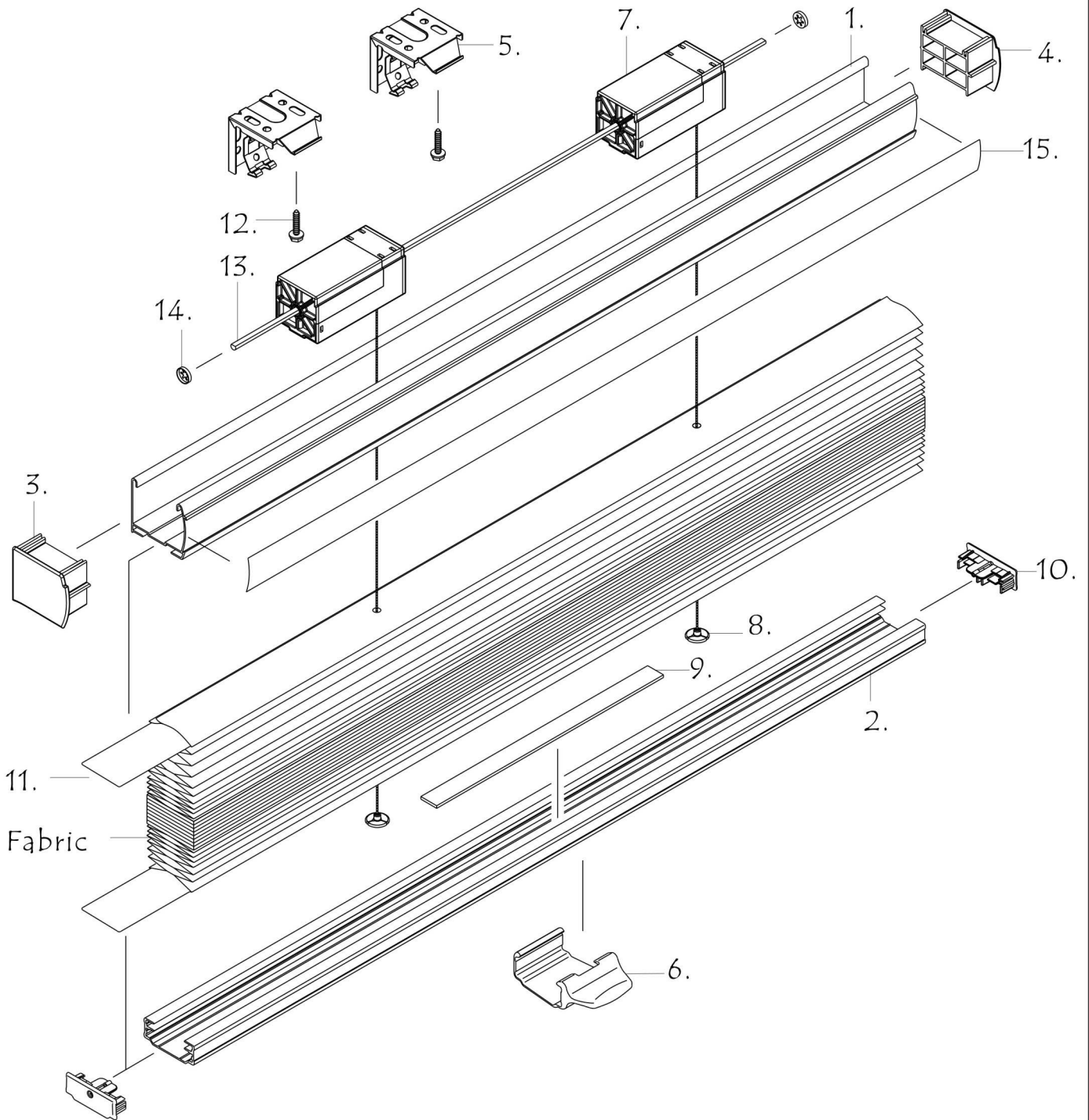


Cordless Cellular Shade Exploded View



1	PLP309	ALU. HEAD RAIL PL3 (12'/PC) (COLORED)
2	PLP310	ALU. BOTTOM RAIL PL3 (12'/PC) (COLORED)
3	PLP311L	HEAD RAIL END CAP(LEFT) PL3 (COLORED)
4	PLP311R	HEAD RAIL END CAP(RIGHT) PL3 (COLORED)
5	PLP312	MOUNTING BRACKET PL3 (PLATED)
6	PLP313	BOTTOM RAIL HANDLE PL3 (PLASTIC)
7	PLP111	CORDLESS MODULE PL
8	PLP112	FIX BUTTON PL1 (PLASTIC)
9	PLP107P	WEIGHTS WITH DOUBLE FACE TAPE PL1 (8'' / PC)(12'' / PC)
10	PLP304PN	BOTTOM RAIL END CAP PL3 (COLORED)
11	PLP307	RAIL INSERT PL3 (PLASTIC IN COIL)
12	2233022	SCREW FOR MOUNTING BRACKET (ZINC PLATED)
13	VBP18110	TILTER ROD "D" T (10'/PC) (ZINC PLATED)
14	VBP365	TILTER ROD "D" END WASHER T
15	AB252100001	VALANCE (1"X5.6G ALU. COIL)