

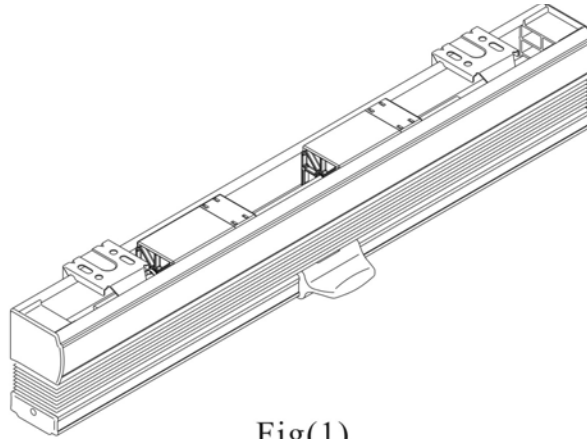
# Cordless Cellular Shade Installation Instruction

Quantity of parts included for each shade:

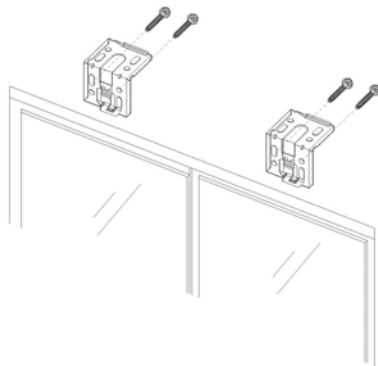
Shade width	Brackets	Screws	Handle
18" ~ 47.9"	2	4	1
48" ~ 72.9"	3	6	2
73" ~ 84"	4	8	2

\* 2-on-1 will double the quantity of handles.

\* 3-on-1 will triple the quantity of handles.

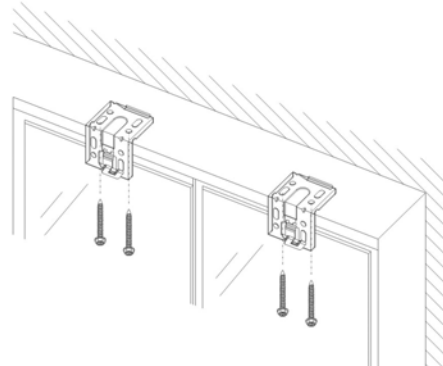


Fig(1)



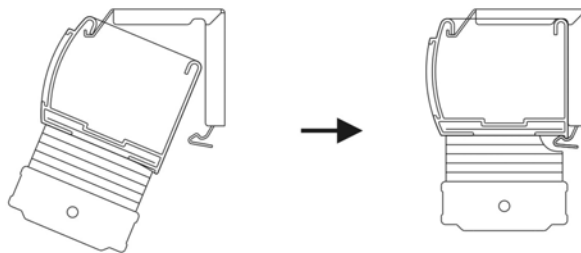
Outside mount

Fig(2-1)



Inside mount

Fig(2-2)



Fig(3)

Please allow 24 hours for your shade to drop to its actual height when first installed due to the nature of the fabric.