

Cordless Top Down Bottom Up Cellular Shade Installation Instruction

Number of parts included for each shade:

Shade width	Brackets	Screws	Handle
5 ~ 47.9"	2	4	2
48" ~ 72.9"	3	6	4
73" ~ 84"	4	8	4

* 2-on-1 will double the quantity of handles.

* 3-on-1 will triple the quantity of handles.

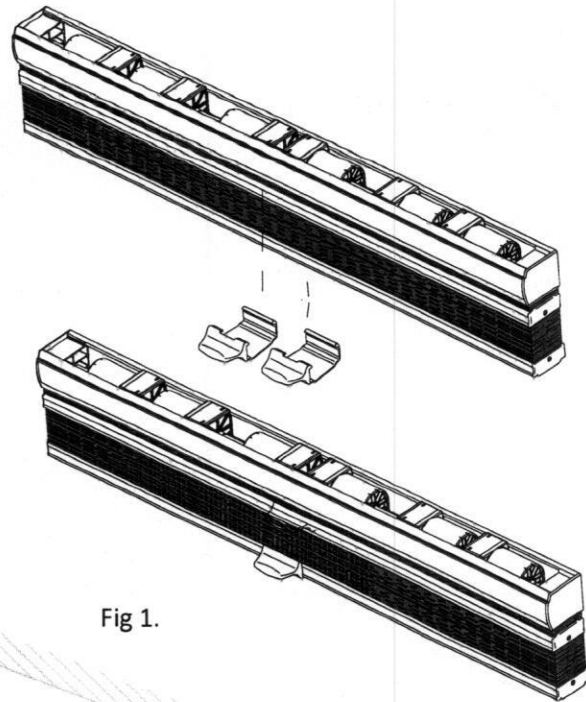


Fig 1.

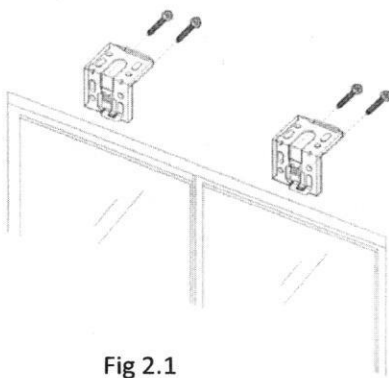


Fig 2.1

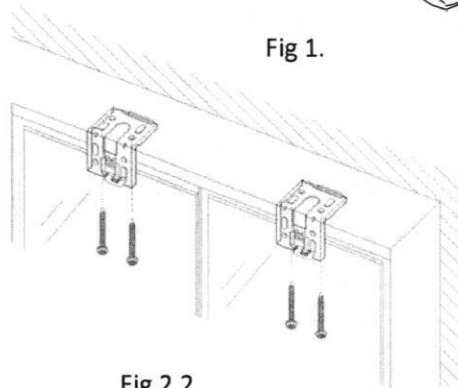


Fig 2.2

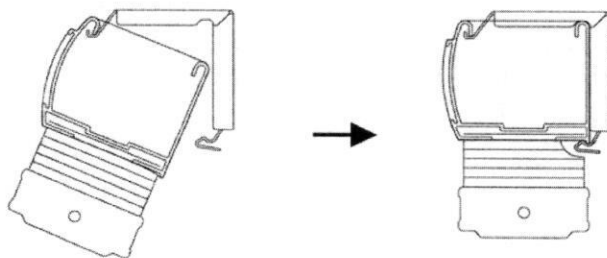
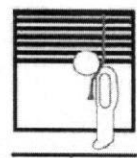


Fig 3.

Please allow 24 hours for your shade to drop to its actual height when first installed due to nature of the fabric.

WARNING/ ADVERTENCIA



Window blind cord can STRANGLE your child. To prevent strangulation, purchase cordless products or products with inaccessible cords.

La cuerda de la persiana puede ESTRANGULAR a su niño. Para evitar el estrangulamiento, compre alternativas cuerda o productos con cuerdas inaccesibles.