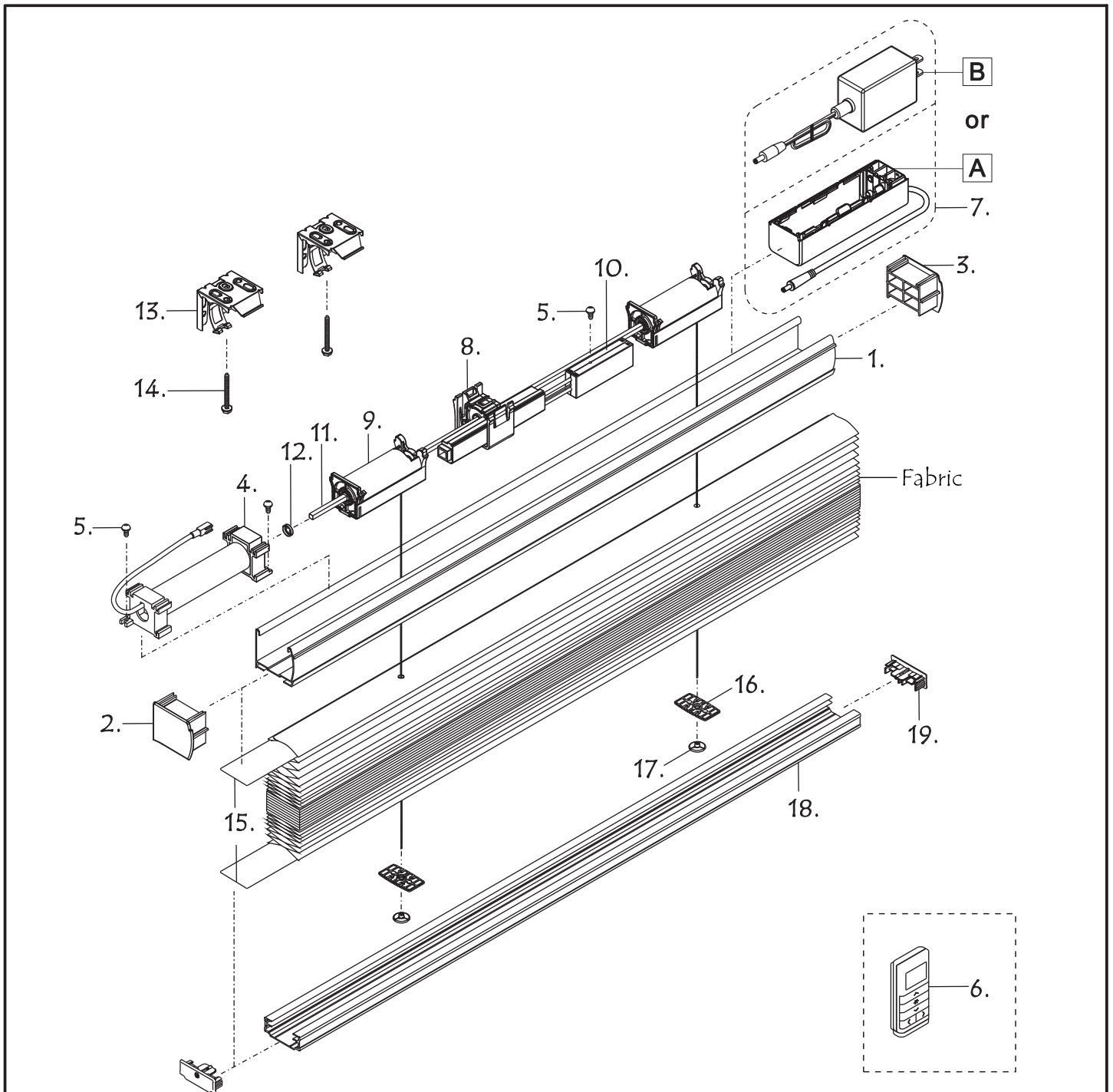


Motorized Cellular Shade Exploded View



1	PLP309	Alu. Head Rail PL3 (12'/pc) (Colored)	10	STP023	RF Module ST
2	PLP311LN	Head Rail End Cap (Left) PL3 (Colored)	11	VBP2015	Tilter Rod 2T2 (3.5M/pc ≈ 11.48' /pc) (Zinc Plated)
3	PLP311RN	Head Rail End Cap (Right) PL3 (Colored)	12	VBP2020	Tilter Rod End Washer 2T2 (Stainless)
4	STP015SS	Small Motor ST (38" ≤ W ≤ 84")	13	PLP312RN	Mounting Bracket PL3 (Zinc Plated)
	STP015DS	Large Motor ST (84" < W ≤ 118")	14	2233022	Screw for Mounting Bracket (Zinc Plated)
5	2232152	Screw for Head Rail (Zinc Plated)	15	PLP307	Rail Insert PL3 (Plastic in Coil)
6	STP017WR15	Remote Control ST (Telis 15 RTS Pure New)	16	PLP133	Plastic Washer PL1
7	A STP002	Battery Box ST	17	PLP112	Fix Button PL1 (Plastic)
	B STP005	Power Adaptor ST	18	PLP310	Alu. Bottom Rail PL3 (12'/pc) (Colored)
8	STP004S	Main Controlling Box ST	19	PLP304PN	Bottom Rail End Cap PL3 (Colored)
9	STP009MS60	Cordless Module Housing ST (Cord=6M) (Without Spring)			