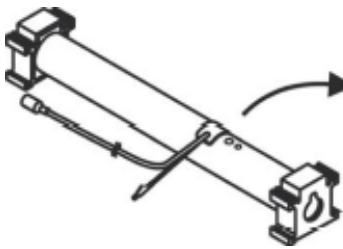
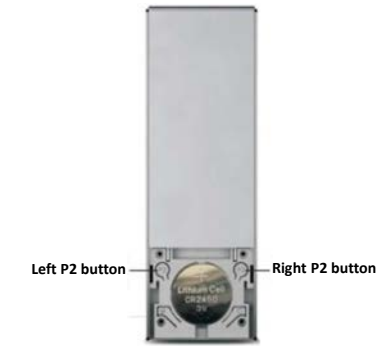
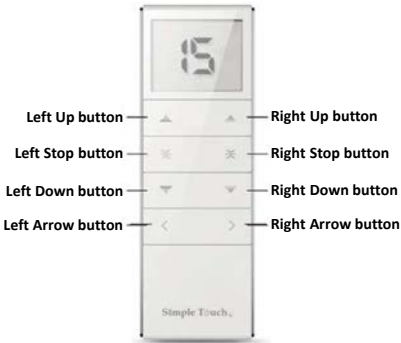


Simple Touch® Top Down Bottom Up and Day/Night Cell Shade

- Programming Instruction with 15-Channel Remote



This Simple Touch® motorized shade is already connected to remote and programmed with Upper and Lower Limits. Option to program “My Favorite Position” followed with the instruction below. Enjoy your new motorized shade!



Motor Receiver Button

PROGRAMMING INSTRUCTION

Set Up **Bottom rail** to My Favorite Position

1. If you have more than one shade, please click **Right** or **Left Arrow** buttons to select the channel. If you only have shade, please stay with channel “1”.
2. Control **bottom rail** to the favorite position by pressing **Left Up** or **Left Down** buttons.
3. Click **Right P2** button, and then shade jogs once.
4. Click **Left Stop** button, and then shade jogs once.
5. Click **Left Stop** button again, and then shade jogs twice.

Set Up **Middle rail** to My Favorite Position

1. Control **middle rail** to the favorite position by pressing **Right Up** or **Right Down** buttons. .
2. Click **Left P2** button, and then shade jogs once.
3. Click **Right Stop** button, and then shade jogs once.
4. Click **Right Stop** button again, and then shade jogs twice.

Add additional remote

1. Click **Right P2** button on the current remote once, and then shade jogs once.
2. Click same **Right P2** button again, and then shade jogs once.
3. Click **Left P2** button on the adding remote once, and then shade jogs twice.
4. Adding additional remote is done.

Disconnect the additional remote

1. Click **Right P2** button on the remote you want to keep once, and then shade jogs once.
2. Click same **Right P2** button again, and then shade jogs once.
3. Click **Left P2** button on the remote you want to disconnect once, and then shade jogs twice.
4. Additional remote is disconnected now.

TO REPROGRAM THIS MOTORIZED SHADE, PLEASE FOLLOW THE STEPS BELOW.

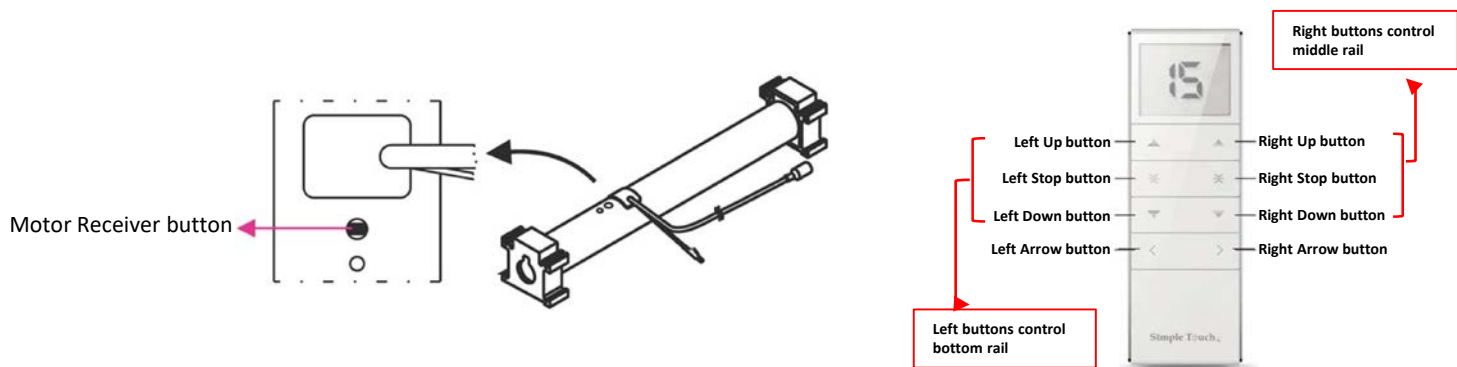
Restore factory setting

1. Press **Motor Receiver button** and don't release until shade jogs 4 times. This step takes about 15-20 seconds.
2. Release **Motor Receiver** button. Restore factory setting is done.

Frequency Connection

3. Start from step “**Frequency Connection**”, and then set up **Upper** and **Lower** limits.
1. Select the channel on the remote with clicking the **Left** and/ or **Right Arrow** buttons.
2. Press **Motor Receiver button** for 2 seconds, motor jogs once, and then release Motor Receiver button.
3. Press **Left Stop** button on remote for 2-3 seconds, motor jogs twice.

- Programming Instruction with 15-Channel Remote (continued)



Set Upper Limit	1. Press Left Down button to control bottom rail moving down. Click Left Stop button when the bottom rail hit the ordered drop height.
	2. Press Right Down button to control middle rail moving down, and then click Right Stop button when it hits bottom rail.
	3. Press Right Up button, and then Left Up button to control both middle and bottom rails going up. Click Stop button when rails hit the headrail. <u>ENSURE TO FINISH THIS CYCLE BEFORE NEXT STEP.</u>
	4. Press Left Up & Left Stop buttons at the same time for 2-3 seconds, motor jogs twice.
Set Lower Limit	1. Press Left Down button to control bottom rail moving down until it reaches the ordered drop height. Click Left Stop button to stop moving.
	2. Press Right Down button to control middle rail moving down until it hits bottom rail. Click Right Stop button to stop moving.
	3. Press Right Down & Right Stop buttons at the same time for 2-3 seconds, motor jogs twice.
	4. Programming is done.
Program "My Favorite Position" followed with the instruction on page 1 as an option.	

15-Channel Remote Features and Operation

FEATURES

- This Simple Touch® 15-channel remote works with Top Down Bottom Up Cellular Shade and Day/ Night Cellular Shade.
- Each channel can control ONE motorized shade.
- Channel "0" is designed to control multiple shades. The maximum controlled quantity is 15 shades.
- Right Up, Stop, and Down buttons control middle rail. Left Up, Stop, and Down buttons control bottom rail.

OPERATION

- Click **Right** and **Left Arrow** buttons to switch within channels.
- Click **Up** or **Down** buttons to control rails go up or go down.
- Click **Stop** button to stop the moving of the shade.
- After set up Upper and Lower limits, press either **Up** or **Down** buttons for 2 seconds to control both middle and bottom rails at the same time. Click any **Stop** button to stop moving.
- Go to Channel "0" to control all the motorized shades connected to this remote.
- After set up "My Favorite Position", press **Right Stop** button for 2 seconds to control both middle rail and bottom rail to my favorite position.