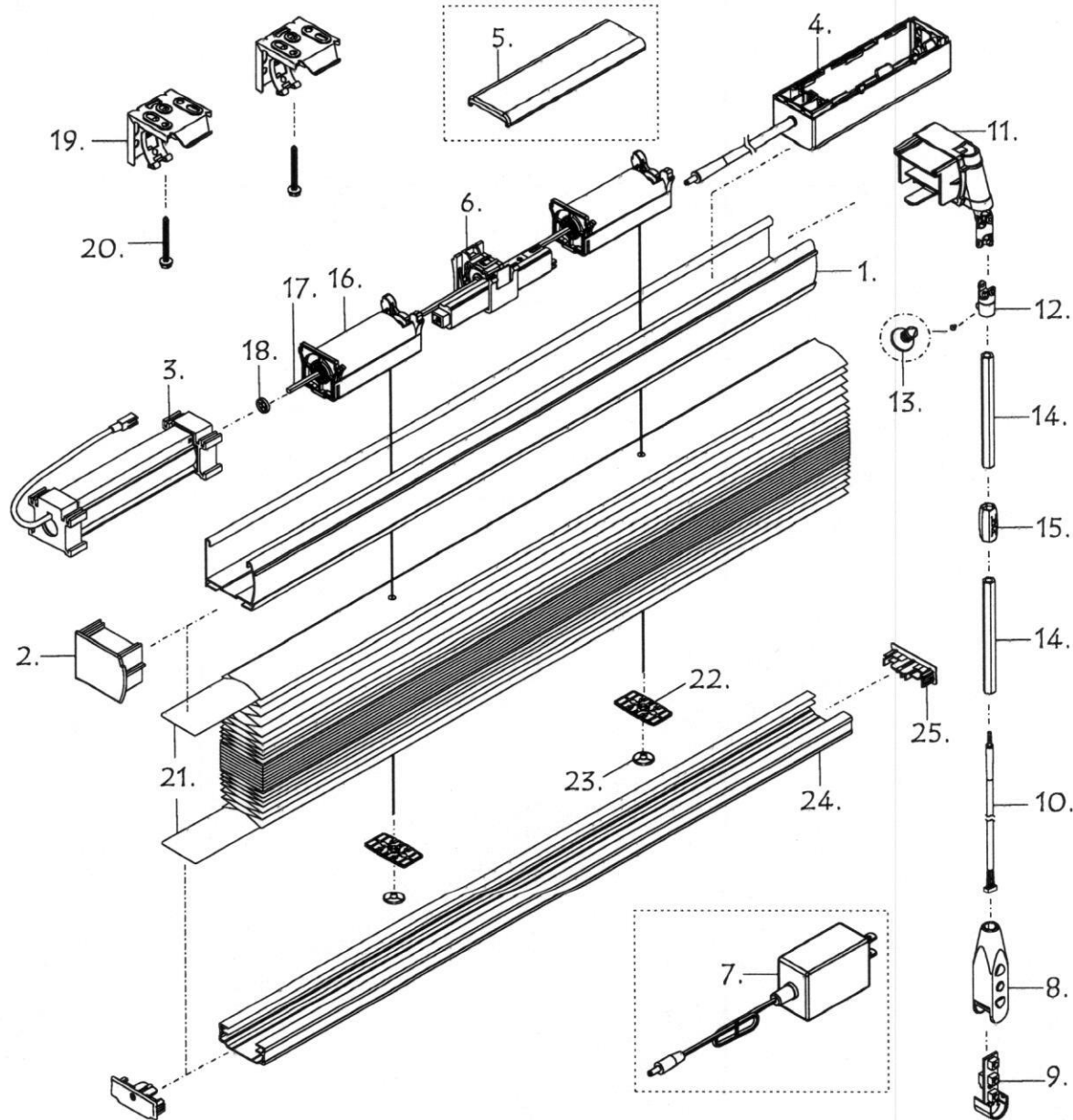


Simple Touch Wand Cellular Shade Exploded View



1	PLP309	Alu. Head Rail PL3 (12'/pc) (Colored)	12	STP011	Connector for Wand ST (Trans.)
2	PLP311LN	Head Rail End Cap(Left) PL3 (Colored)	13	2240180	Screw for Connector (Plated)
	PLP311RN	Head Rail End Cap(Right) PL3 (Colored)	14	VBP270	Wand Ts (9.85'/pc) (Trans.)
3	STP001L	Large Motor ST	15	VBP484	Connector for Wand Ts (Trans.)
4	STP002	Battery Box ST	16	STP009	Cordless Module Housing ST (Without Spring)
5	STP003	Battery Box Cover ST	17	VBP18110	Tilter Rod "D" T (10'/pc) (Plated)
6	STP004	Main Controlling Box ST	18	VBP365	Tilter Rod "D" End Washer T
7	STP005	Power Adaptor ST	19	PLP312RN	Mounting Bracket PL3 (Plated)
8	STP006A	Push-Button Box A ST (Colored)	20	2233022	Screw for Mounting Bracket (Plated)
9	STP006B	Push-Button Box B ST	21	PLP307	Rail Insert PL3 (Plastic in Coil)
10	STP007	Pusher Connecting Wire ST (L=135cm)	22	PLP133	Plastic Washer PL1
	STP007	Pusher Connecting Wire ST (L=210cm)	23	PLP112	Fix Button PL1(Plastic)
11	STP008L	Wand End Cover (Left) ST (Colored)	24	PLP310	Alu. Bottom Rail PL3 (12'/pc) (Colored)
	STP008R	Wand End Cover (Right) ST (Colored)	25	PLP304PN	Bottom Rail End Cap PL3 (Colored)