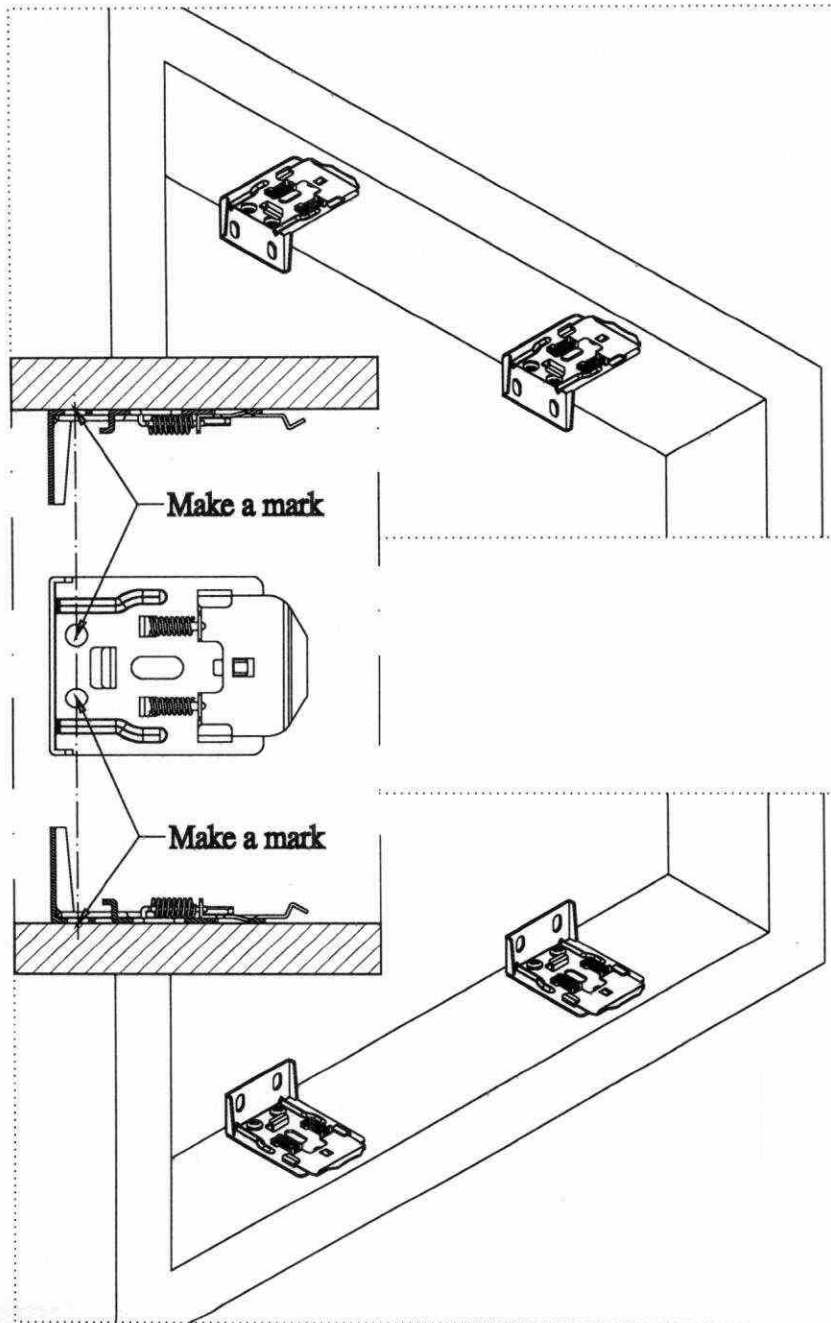


Skylight Cellular Shade Installation Instruction

Hardware included in the package:

Skylight width	Brackets	Screws for brackets	Screws for siderail
Up to 47.9"	4	8	4
48" - 60"	6	12	6

Mark where brackets will be installed for both top and bottom skylight frame. Make sure brackets are lined up identically across the same frame and opposite frame. Fasten all brackets.

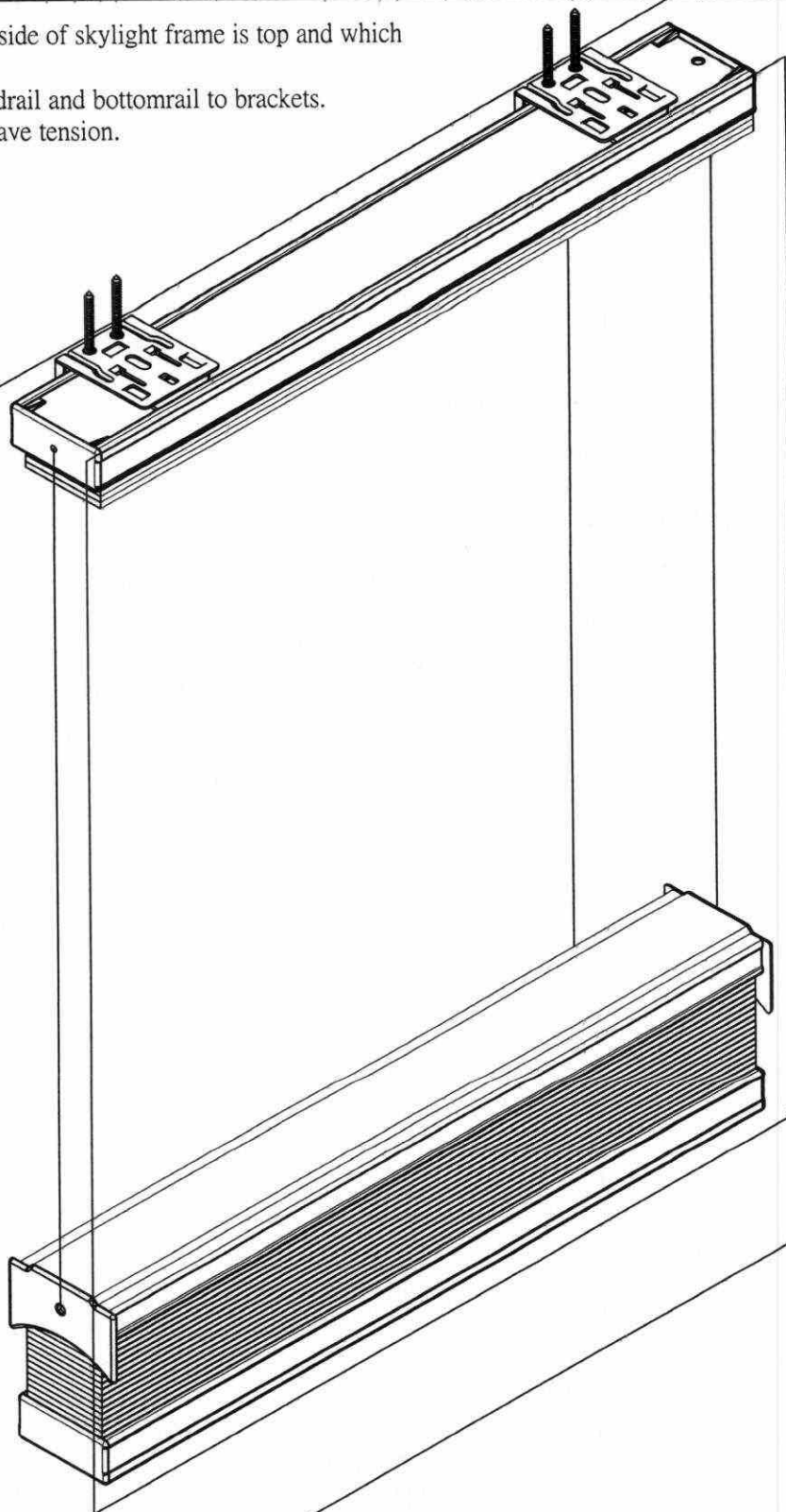


WARNING/ADVERTENCIA

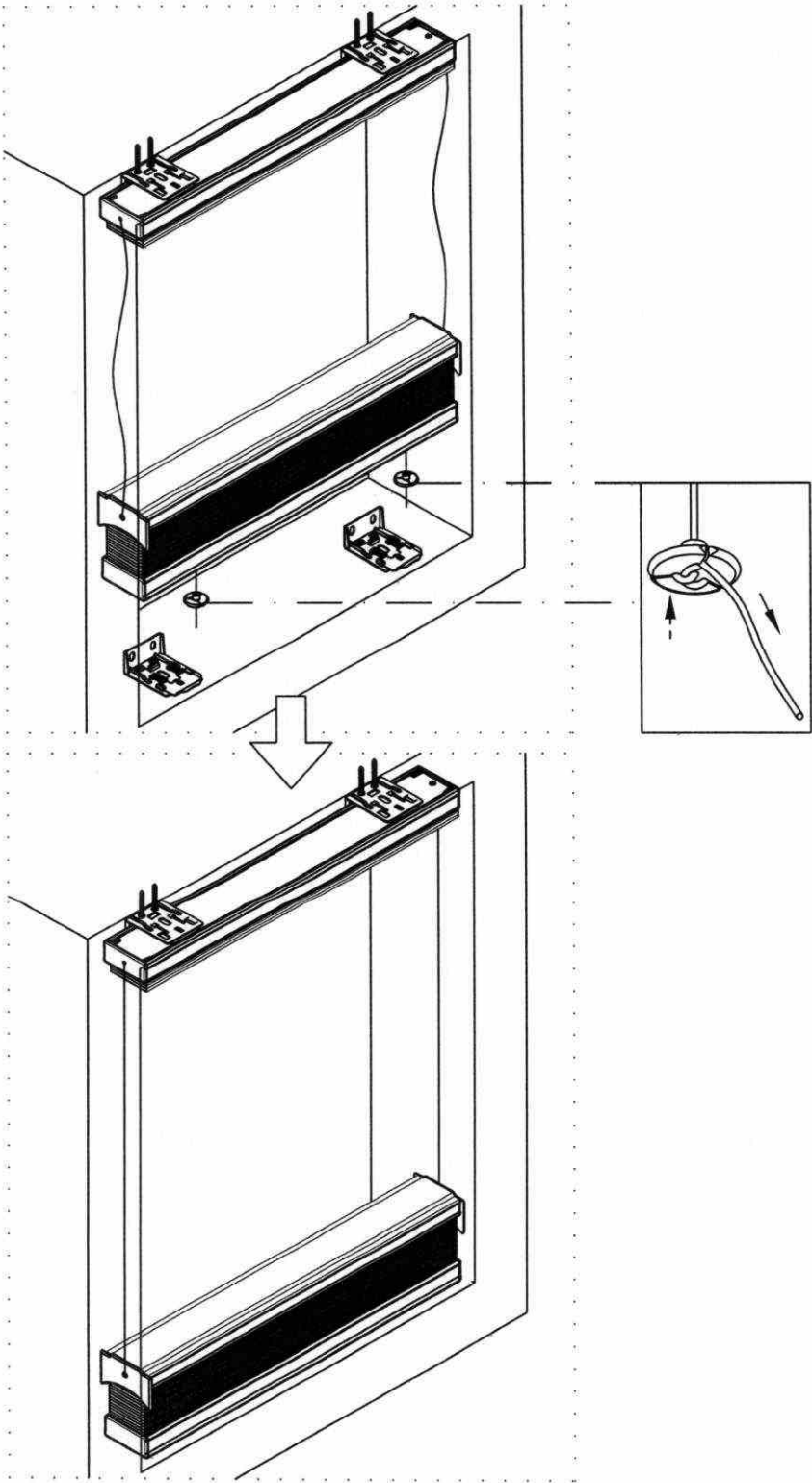
Window blind cord can STRANGLE your child. To prevent strangulation, purchase cordless products or products with inaccessible cords.

La cuerda de la persiana puede ESTRANGULAR a su niño. Para evitar el estrangulamiento, compre alternativas cuerda o productos con cuerdas inaccesibles.

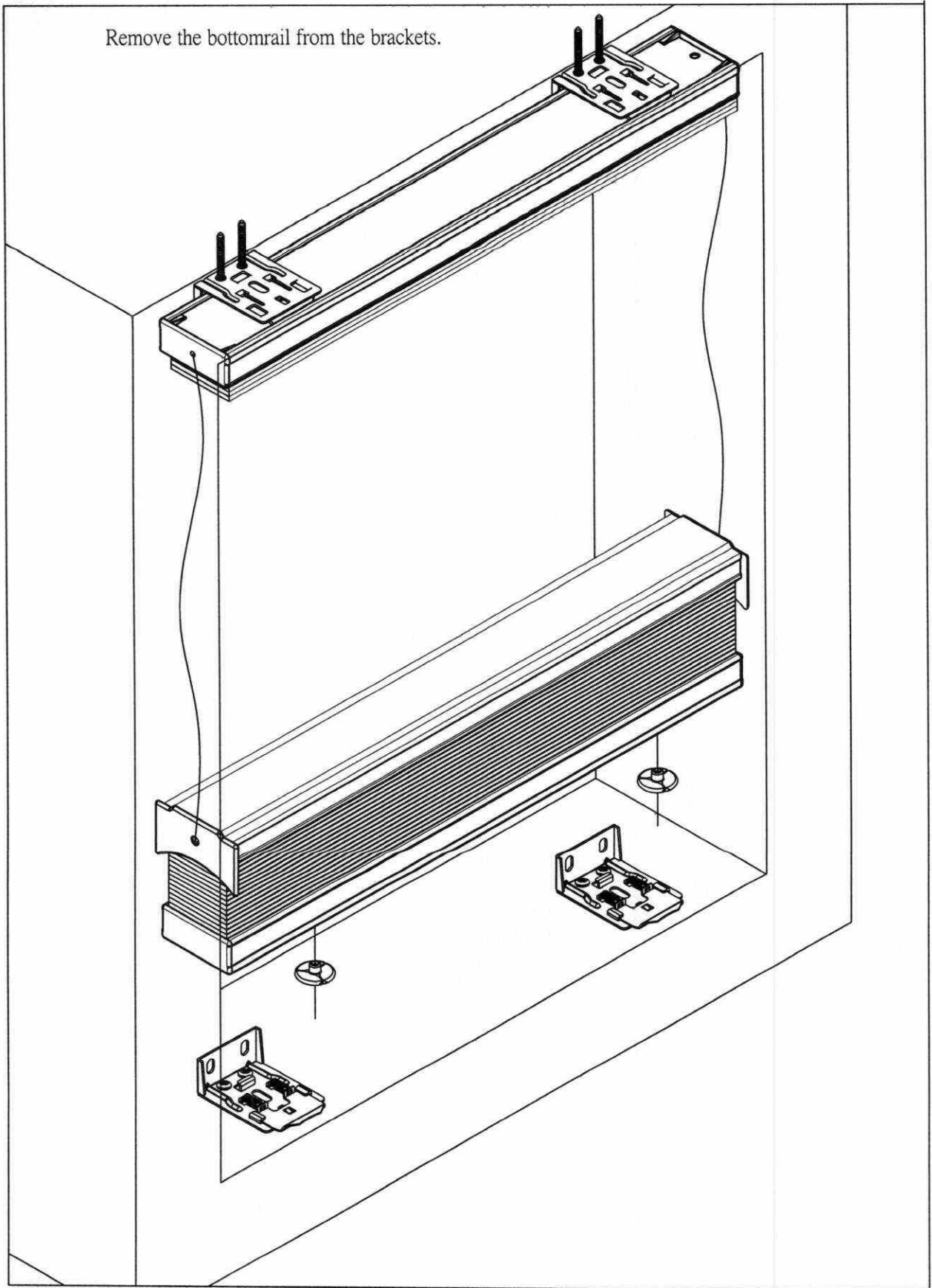
Decide which side of skylight frame is top and which side is bottom.
Install the headrail and bottomrail to brackets.
Cord should have tension.



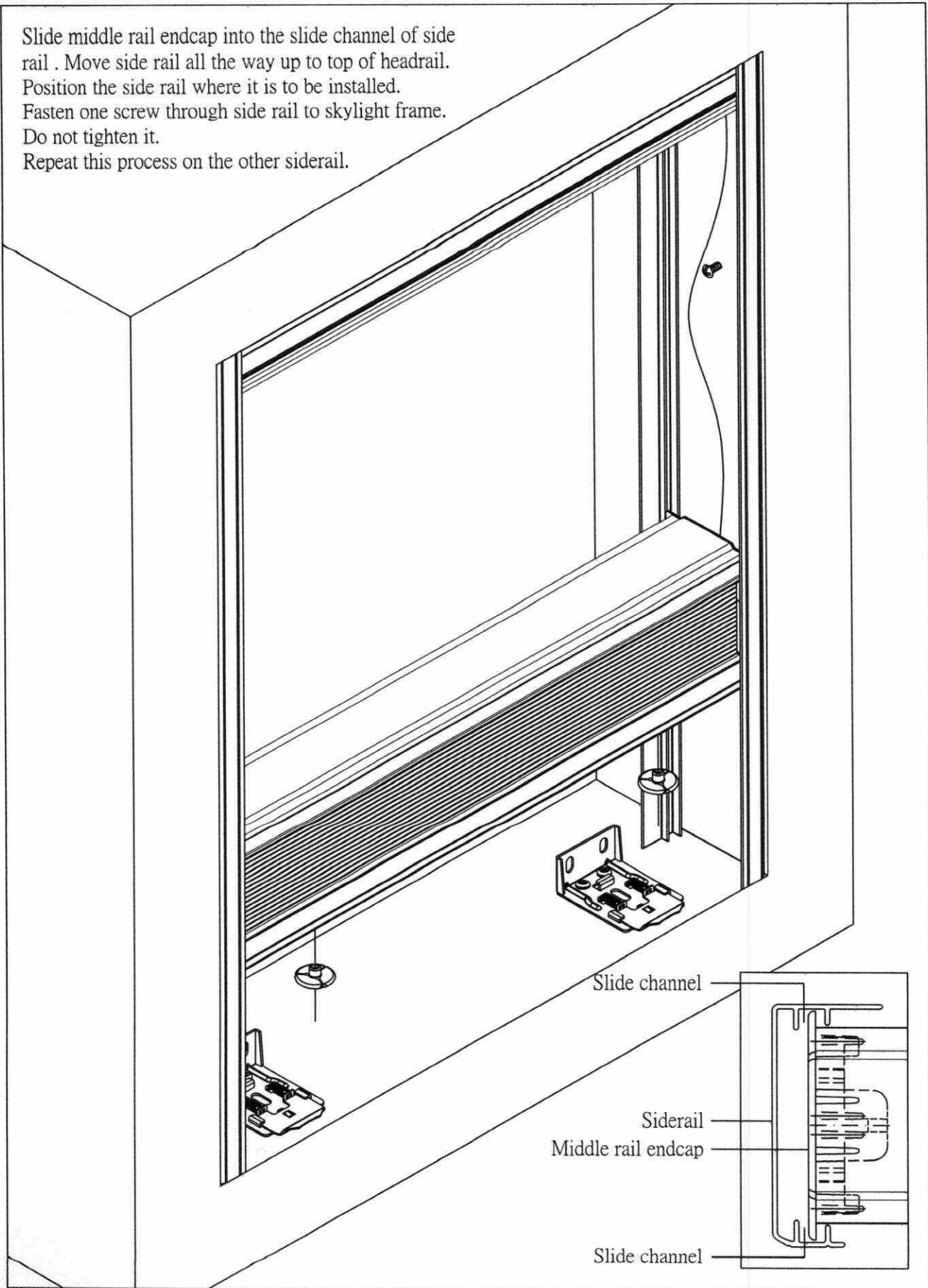
Install the headrail and bottomrail to the brackets. Operate the shade to make sure middle rail is leveled and cord has good tension. If cord is not tight, remove the bottomrail from the brackets. Loosen the cords from fix button and move the button upward. Tie the cord on fix button. Repeat the same process on the other fix button. Install the bottomrail on the brackets again to make sure the middle rail is leveled and operates smoothly.



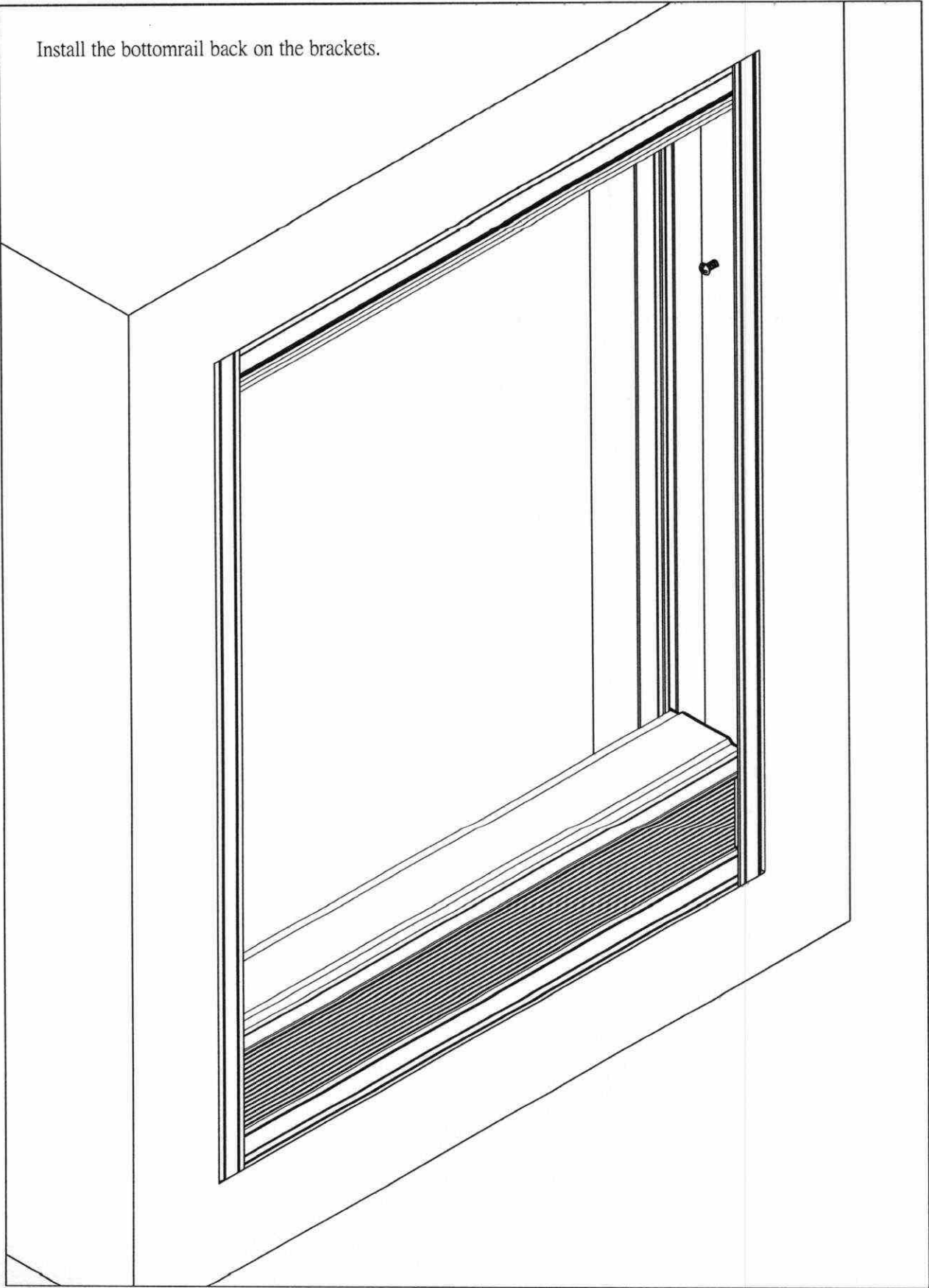
Remove the bottomrail from the brackets.



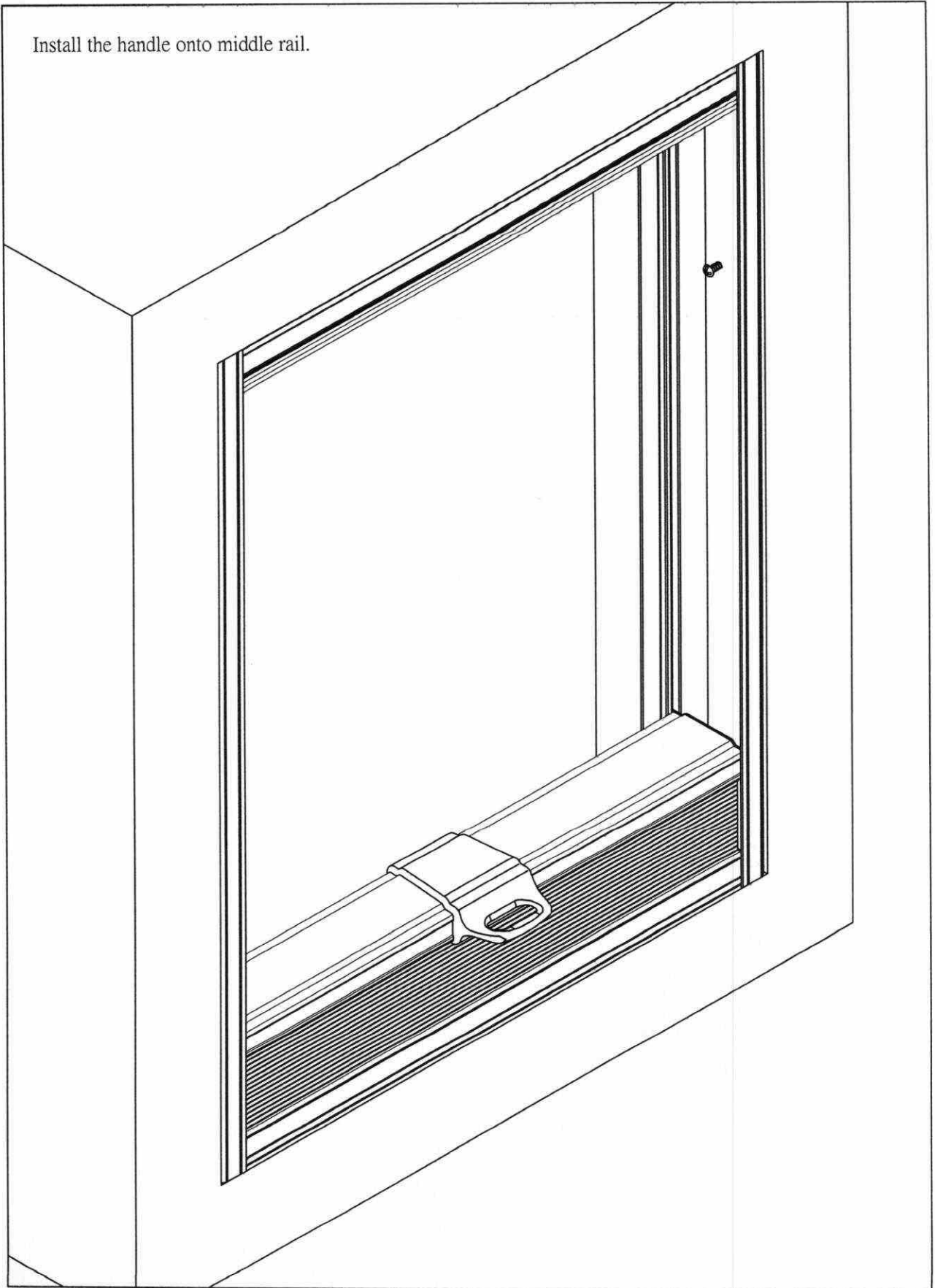
Slide middle rail endcap into the slide channel of side rail . Move side rail all the way up to top of headrail.
Position the side rail where it is to be installed.
Fasten one screw through side rail to skylight frame.
Do not tighten it.
Repeat this process on the other siderail.



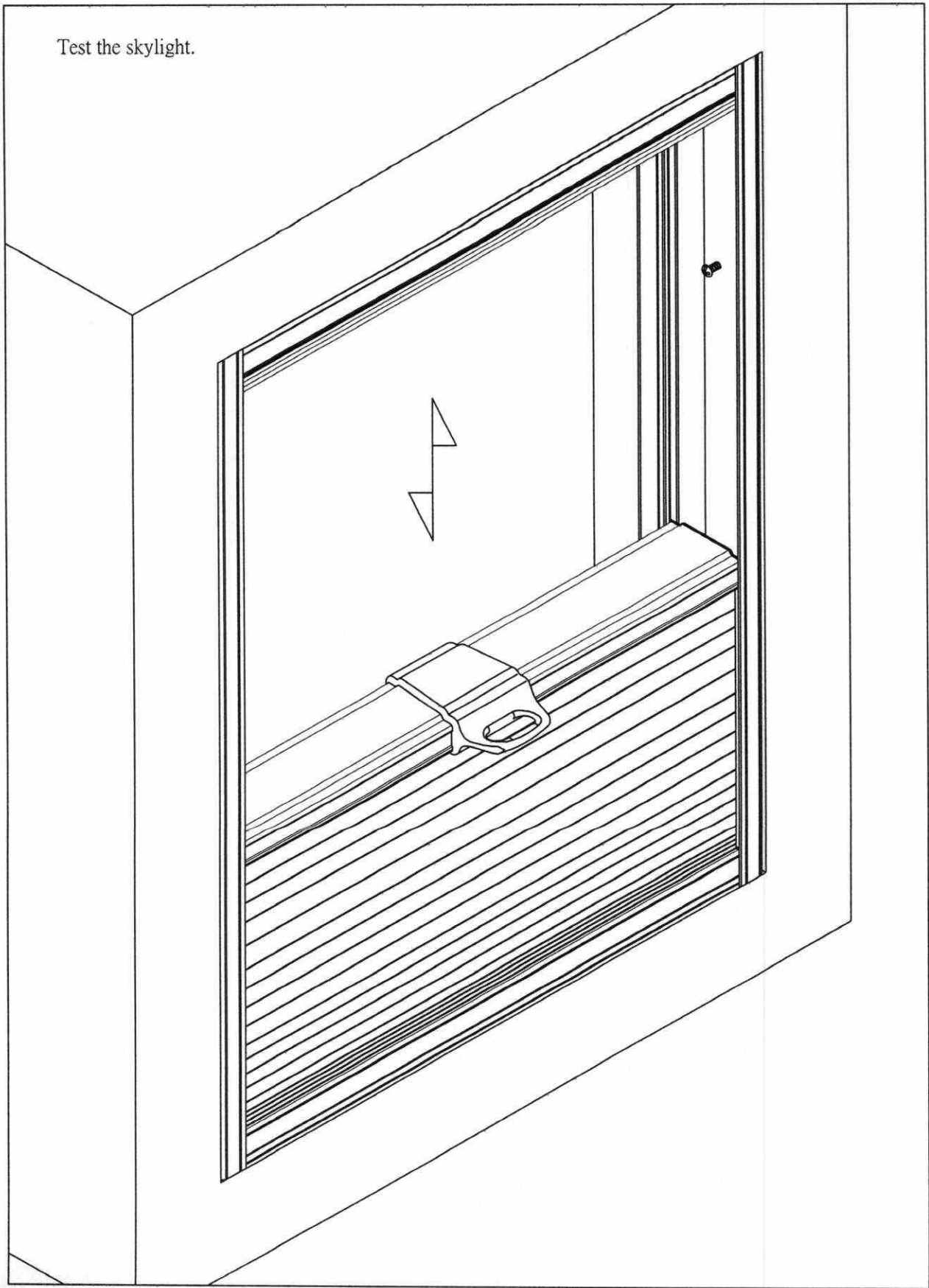
Install the bottomrail back on the brackets.



Install the handle onto middle rail.



Test the skylight.



Fasten a second screw on each side rail.

Tighten the first screw on the side rail.

Installation is complete.

