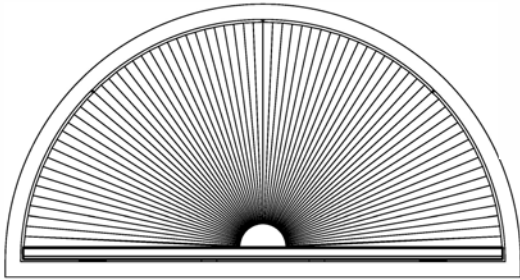


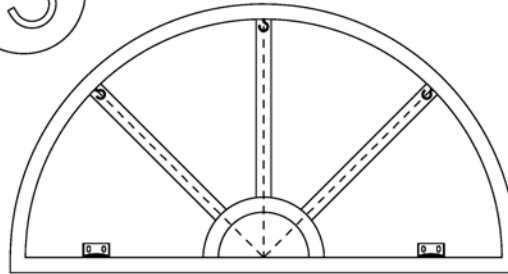
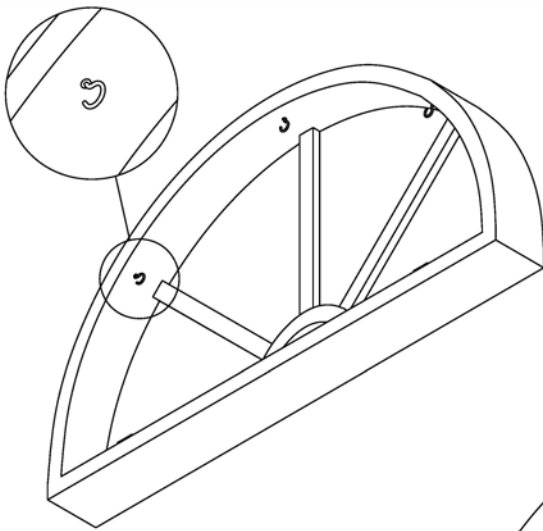
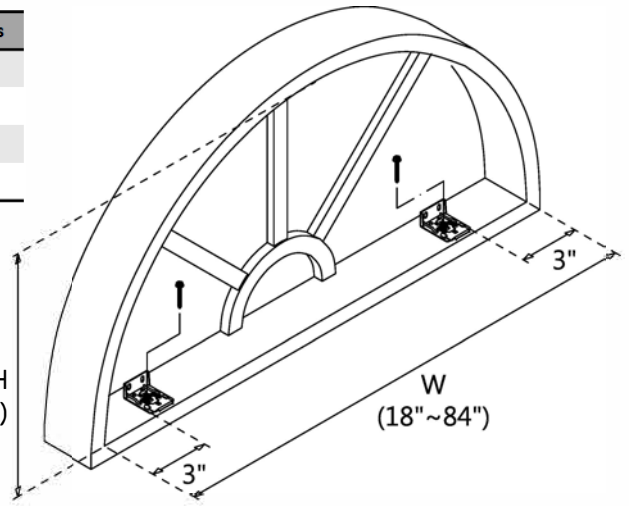
Cellular Arch Shade Installation Instruction

Quantities of the brackets	
Width	Qty
18" ~ 47.9"	2
48" ~ 71.9"	3
72" ~ 84"	4



H
(9" ~ 48")

W
(18" ~ 84")



Quantities of the hook screws	
Width	Qty
18" ~ 27.9"	2
28" ~ 38.9"	3
39" ~ 49.9"	4
50" ~ 60.9"	5
61" ~ 71.9"	6
72" ~ 84"	7

Adjust the location of the hook screw when needed.
Hook it to the cell area, not the junction between 2 cells.

