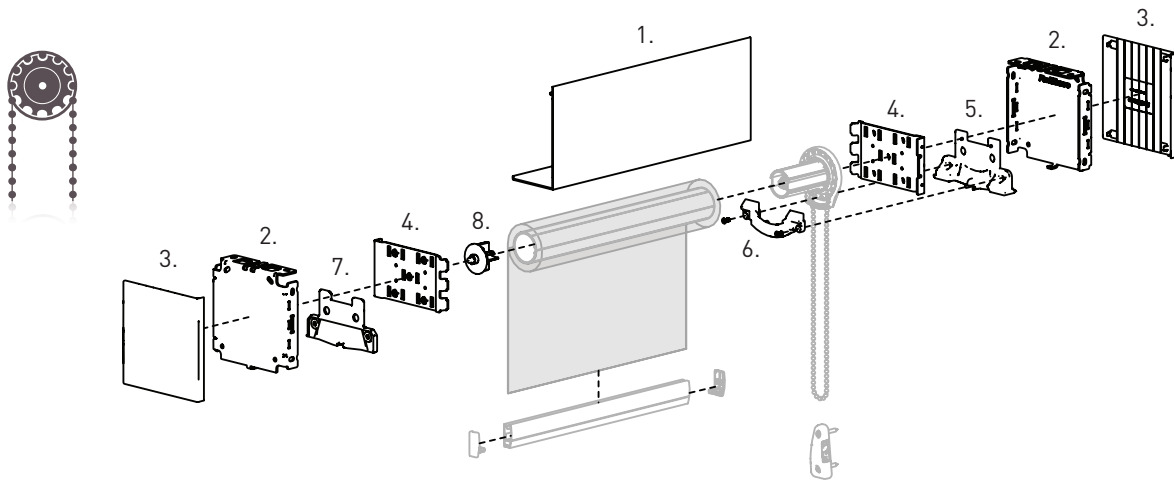


CLUTCH CONTROL SCHEMATICS

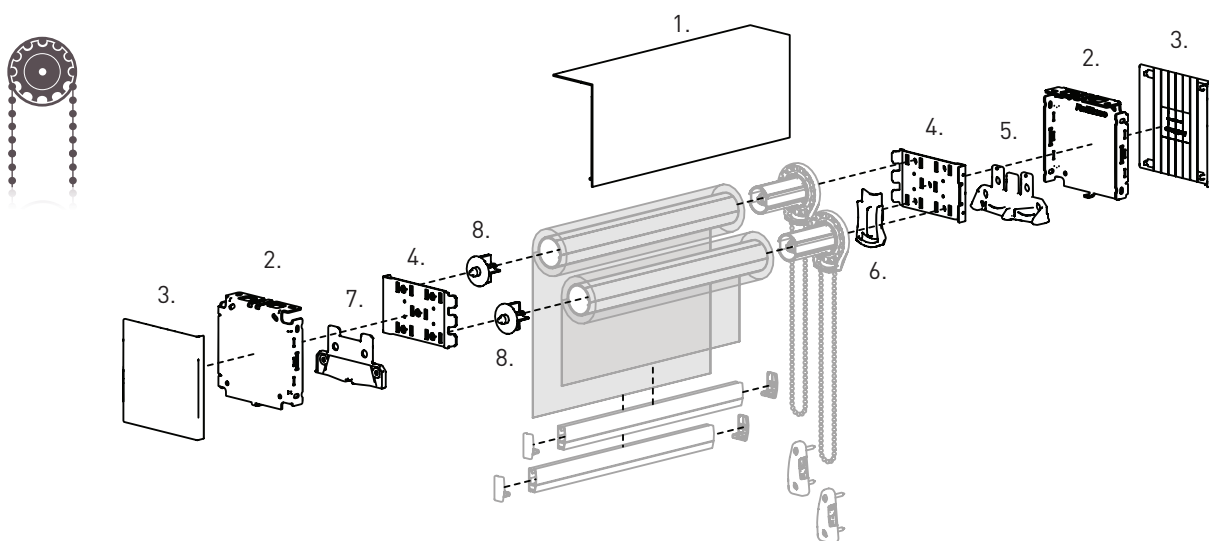
SKYLINE SINGLE SHADE



SYSTEM INDEX:

- | | |
|----------------------------|---|
| 1. 5" Fascia Panel | 6. Single Chain Guard (Not needed for SL30 or G400) |
| 2. 5" Fascia Base Bracket | 7. Pin End Guide |
| 3. 5" Fascia Bracket Cover | 8. Skyline Pin End |
| 4. Skyline Insert Pair | |
| 5. Single Diverter | |

SKYLINE DUAL SHADE

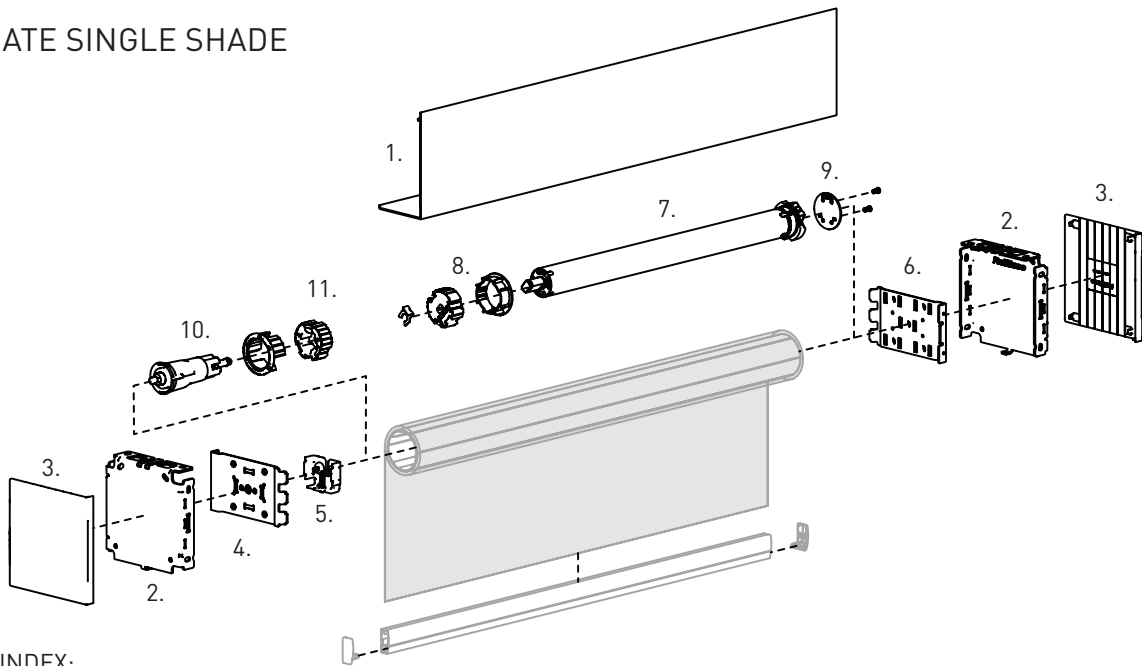


SYSTEM INDEX:

- | | |
|----------------------------|---------------------|
| 1. 5" Fascia Panel | 6. Dual Chain Guide |
| 2. 5" Fascia Base Bracket | 7. Pin End Guide |
| 3. 5" Fascia Bracket Cover | 8. Skyline Pin End |
| 4. Skyline Insert Pair | |
| 5. Dual Diverter | |

MOTORIZED CONTROL SCHEMATICS

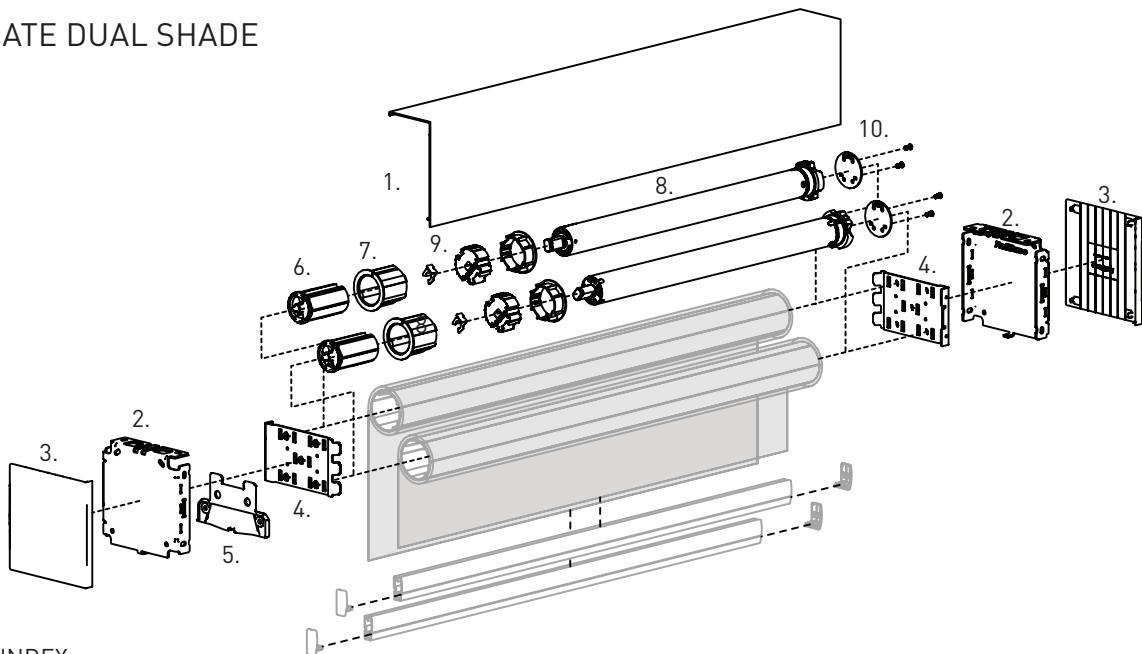
AUTOMATE SINGLE SHADE



SYSTEM INDEX:

- | | |
|--|----------------------------------|
| 1. 5" Fascia Panel | 7. AUTOMATE ARC Motor |
| 2. 5" Fascia Base Bracket | 8. AUTOMATE Crown & Drive Kit |
| 3. 5" Fascia Bracket Cover | 9. AUTOMATE Adapter |
| 4. Fascia R-Series Single & Motor Idler Insert | 10. Motor Shade Idler Silent Pin |
| 5. Silent Pin Idler Yoke Kit | 11. Silent Pin Crown & Drive Kit |
| 6. Skyline Insert Plate | |

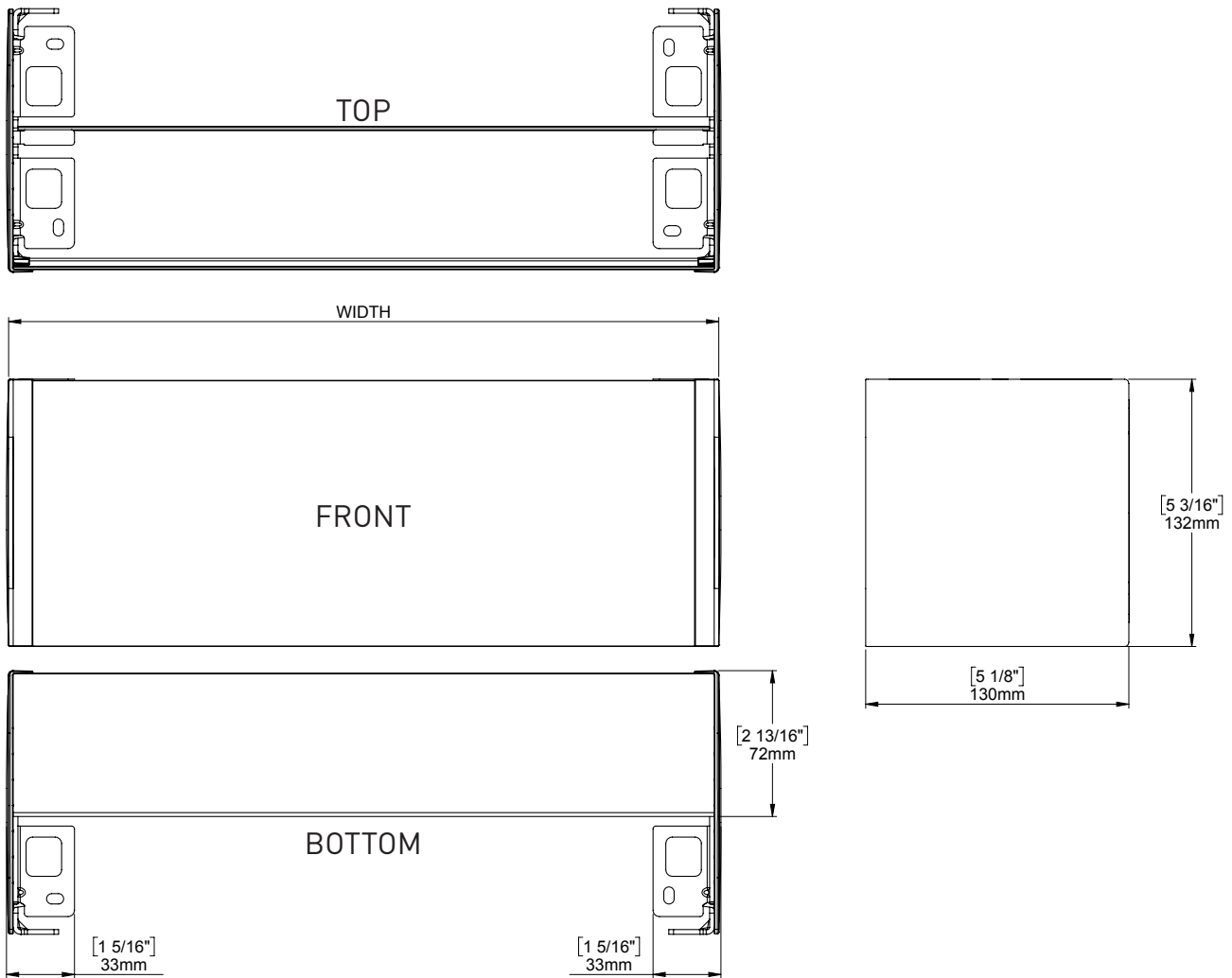
AUTOMATE DUAL SHADE



SYSTEM INDEX:

- | | |
|-------------------------------|-------------------------------|
| 1. 5" Fascia Panel | 7. Adapter |
| 2. 5" Fascia Base Bracket | 8. AUTOMATE ARC Motor |
| 3. 5" Fascia Bracket Cover | 9. AUTOMATE Crown & Drive Kit |
| 4. Skyline Insert Pair | 10. AUTOMATE Adapter |
| 5. Pin End Guide | |
| 6. Skyline Heavy Duty Pin End | |

ARCHITECTURAL VIEWS



COLOR OPTIONS



WHITE



ANODISED



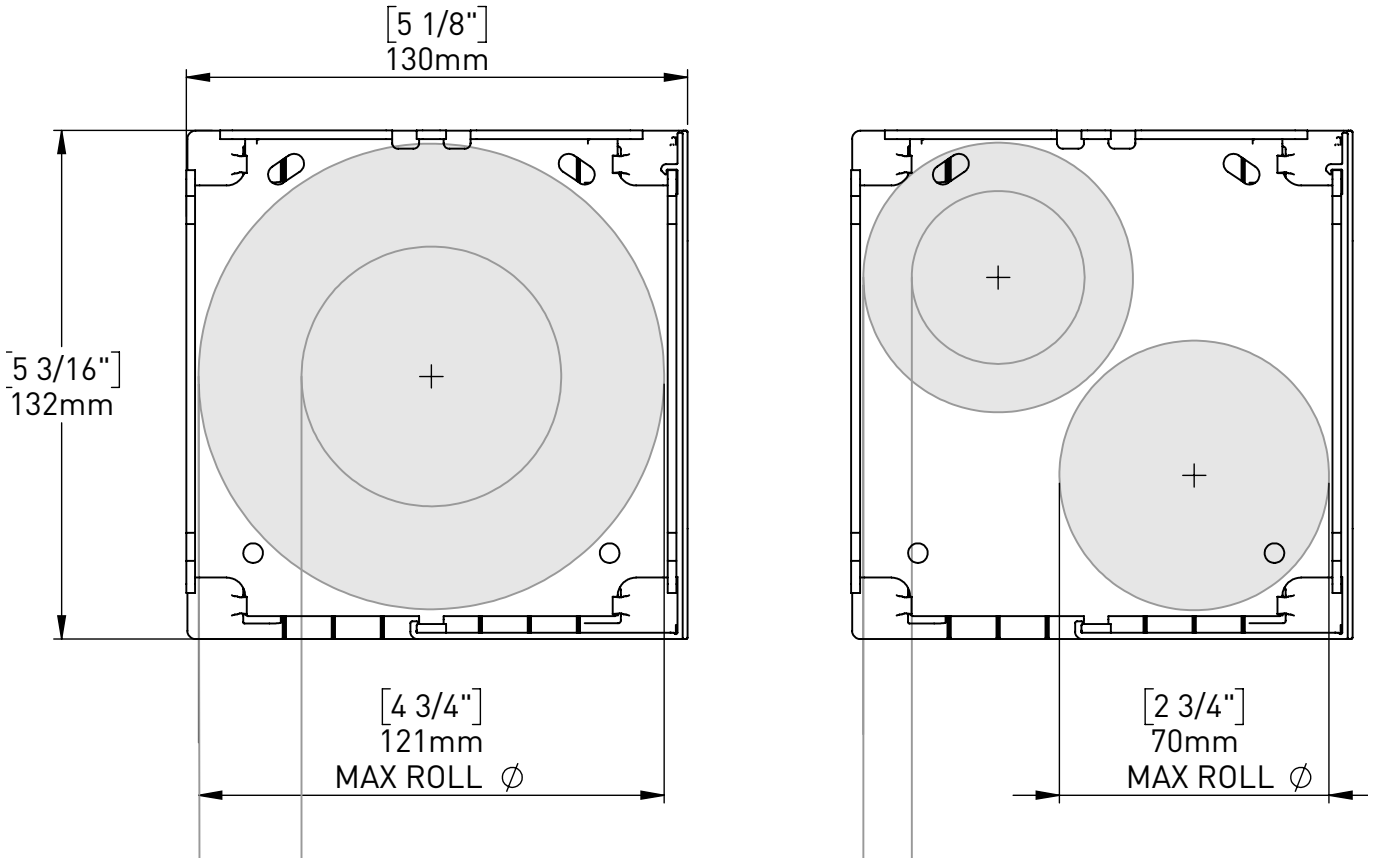
BRONZE



BLACK

MAXIMUM ROLL DIAMETERS

5" FASCIA BRACKETS



Installation Type	Tube	Max Fabric Distance from back of bracket [X]
Single	1-1/2"	44mm [1-3/4"]
	2"	38mm [1-1/2"]
	2-1/2"	32mm [1-1/4"]
	3-1/4"	22mm [7/8"]
Dual	1-1/2"	19mm [3/4"]
	1-1/8"	24mm [15/16"]
	1-1/4"	22mm [7/8"]
	2"	13mm [1/2"]