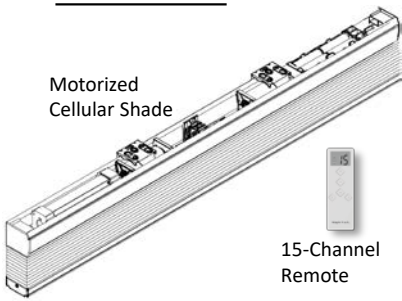


# Simple Touch® 15-Channel Remote Cellular Shade

## - Installation and Care Instruction

### Installation

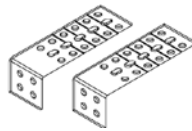


**Identify your cellular shade and parts** (your parts may vary, depending on the custom request, size of the headrail & shade you are purchasing.)

9/16" rail brackets    3/4" rail brackets



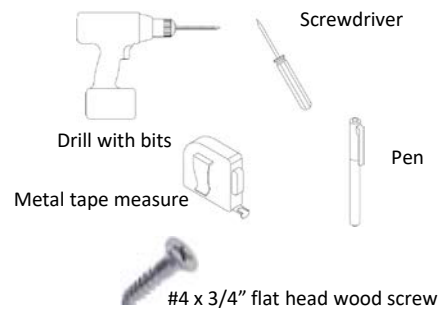
Brackets & screws



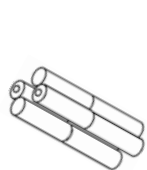
Extension brackets (optional)



**Tools you may need** (not included)



Shade width	Qty of brackets
$W \leq 36"$	2
$36" < W \leq 72"$	3
$72" < W \leq 96"$	4
$96" < W \leq 120"$	5



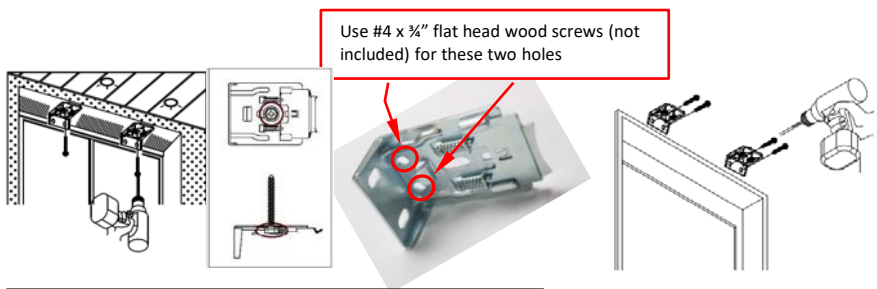
Power sources – 8 AA Lithium batteries or the rechargeable battery pack

### FOR 3/4" HEADRAIL BRACKETS

#### Install the brackets

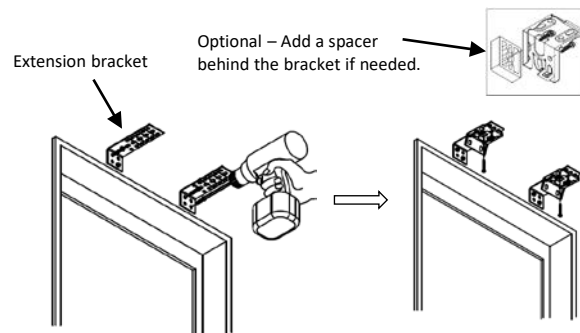
- Mark the bracket locations, separating the brackets evenly. Make sure all brackets are aligned and level with each other.
- For inside mount - Install the bracket with the hole at top center by using the included screw or with two holes at the top rear side by using #4 x 3/4" flat head wood screws (not included).
- For outside mount – install the bracket with two holes at the back side with included screws.

- Fasten the screws completely.
- Install the shade with the extension brackets (optional)
  - Install the extension bracket with at least 2 screws.
  - Attach the mounting brackets to the extension brackets with the screws.



Inside Mount

Outside Mount

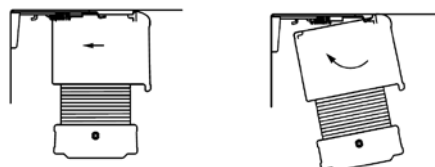
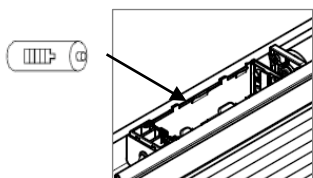


#### Install the power sources

- For the rechargeable battery pack – follow the instruction of the Simple Touch rechargeable batter pack.
- For AA batteries – put 8 AA batteries into the battery box, refer to below.

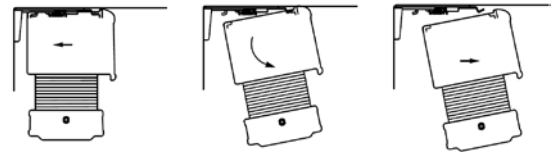
#### Attach the cell shade to brackets

- Position the headrail with the front lip resting on the top hooks of all the brackets.
- Push the bottom of headrail firmly upward and toward the window until the groove at the bottom of the headrail snaps into place.



### How to remove the shade from the brackets

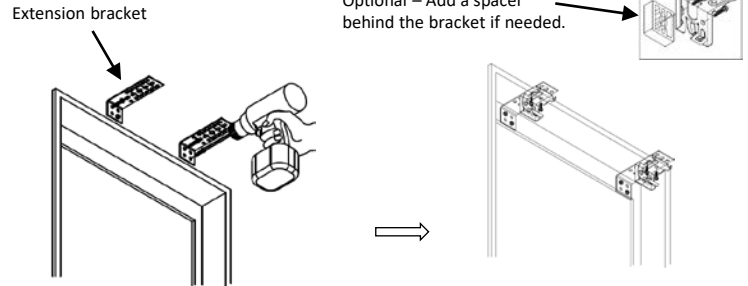
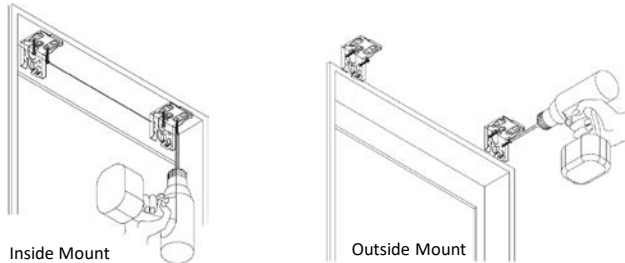
- Raise the shade completely. Push the headrail toward to the wall.
- Tilt the backside of the headrail down
- Once the back of the headrail clears the brackets, pull the headrail off the front of brackets.



### FOR 9/16" HEADRAIL BRACKETS

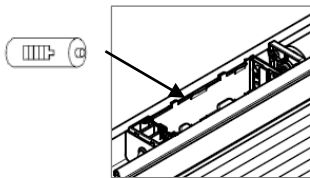
#### Install the brackets

- Mark the bracket locations. Space the brackets evenly and make sure the brackets will not interfere with any mechanism or other internal headrail parts.
- Install the brackets using screws (included) and tighten them completely.
- Make sure all brackets are aligned and level with each other.
- Install the shade with extension brackets (optional)
  - Install the extension bracket with at least 2 screws.
  - Attach the hidden brackets to the extension brackets with the screws.



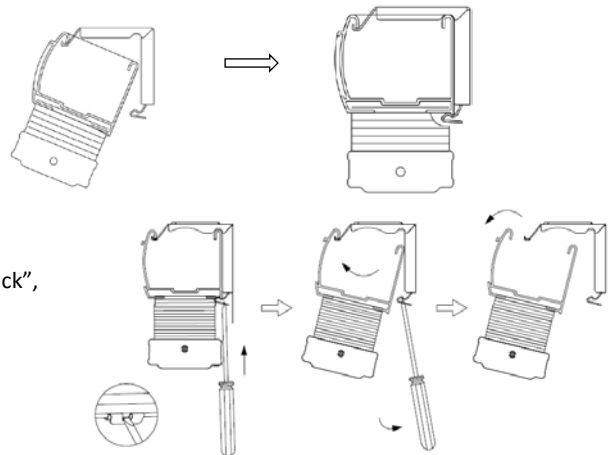
#### Install the power sources

- For the rechargeable battery pack – follow the instruction of the Simple Touch rechargeable batter pack.
- For Lithium batteries – put them into the battery box, refer to the image below.



#### Attach the cell shade

- Position the headrail with the front lip resting on the top hooks of all the brackets.
- Push the bottom of headrail firmly upward and toward the window until the groove at the bottom of the headrail snaps into place.



#### How to remove the shade from the brackets

- Use the remote to raise the shade completely.
- Use a flat screw to push the bracket tab toward to the wall. Once you hear a “click”, then the shade will be released from the bracket.
- Repeat above step to release the shade from other brackets.

## Care and Clean

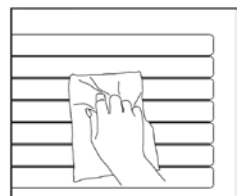
- Wipe the shade periodically with a soft dust cloth or dusting mitt, or vacuum with a lowest speed.

#### Notes

- Do not spill water to the headrail and the remote.
- Do not clean/ operate the motorized shade with wet hands
- The warranty for your shades does not cover damage caused by improper cleaning.
- Changing the batteries or charging the rechargeable battery pack won't change the programming setting.
- The motorized shade is for indoor use only.
- Do not use the motorized shades at the wet area.

# FCC

ID# 2AWSE-STP054



#### FOR INDOOR USE ONLY

This motorized shade has been tested and found to complete with the limits for a Class B digital device, pursuant to part 15 of the FCC rules. These limits are designed to provide reasonable protection against harmful interference in a residential installation. This shade generates, uses and can radiate radio-frequency energy. If this shade is not installed and used in accordance with the instructions, it may cause harmful interference to radio communications. However, there is no guarantee that interference will not occur in a particular installation. If this shade does cause harmful interference to radio or television reception, which can be determined by turning the shade off and on, correct the interference by one or more of the following measures:

Reorient or relocate the receiving antenna.

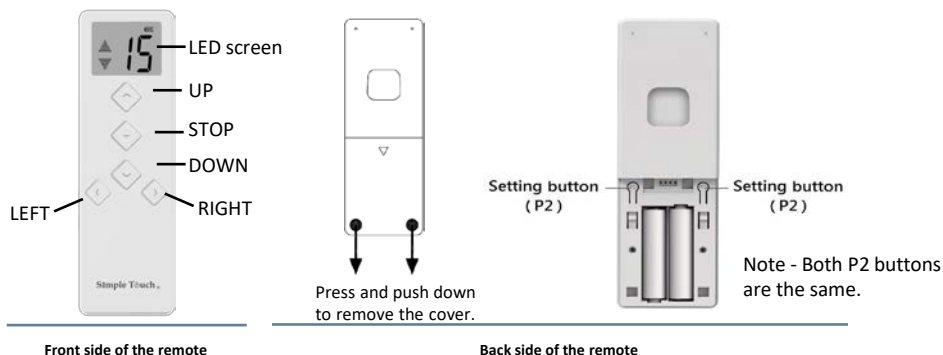
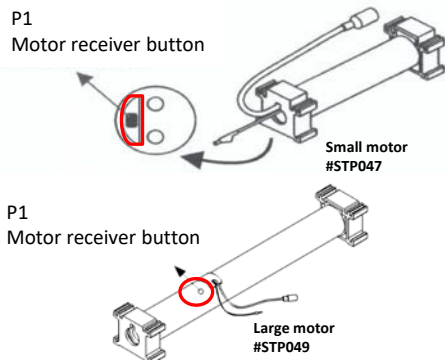
Increase separation between shade and receiver.

Connect equipment to an outlet on a circuit different from that to which the receiver is located.

Consult your dealer or an experienced radio/TV technician.

Any changes or modifications to the product that are not expressly approved by HT could void the user's authority to operate this shade. Use of a shielded interface cable is required to comply with the Class B limits of Part 15 of FCC rules. For more regulatory information, see the electronic user guide. HT shall not be liable for any direct, indirect, incidental, consequential, or other damage alleged in connection with the furnishing or use of this information.

# Simple Touch® Motorized Cellular Shade 15-Channel Remote Programming Guide



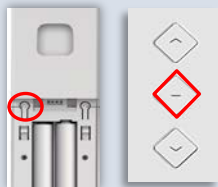
- The 15-channel remote is powered by 2 of AAA Alkaline batteries. Replacing the batteries doesn't affect the setting of the shades.
- Group control is on channel #0.

**Option to set up "MY FAVORITE POSITION" if you prefer, simply follow the instructions below. Once you have set it up, you will be able to quickly access your preferred position with just the press of the STOP button.**

## Optional Programming Instructions

### PROGRAMMING FOR MY FAVORITE POSITION

#### Set Up My Favorite Position



Step 1. Click the **LEFT** or **Right** buttons to select the channel you wish to program.

Step 2. Raise the shade all the way up by clicking the **UP** button. Skip this step if the shade is already at the top position.

Step 3. Adjust the bottom rail to your favorite height by clicking the **DOWN** or **UP** buttons.

Step 4. Click either one of the **P2** buttons. The shade jogs once.

JOG x 1

Step 5. Click the **STOP** button once. The shade jogs once.

JOG x 1

Step 6. Click the **STOP** button again. The shade jogs twice.

JOG x 2

**My favorite position set up** is done.

#### Remove My Favorite Position

Step 1. Click either one of the **P2** buttons. The shade jogs once.

JOG x 1

Step 2. Click the **STOP** button once. The shade jogs once.

JOG x 1

Step 3. Click the **STOP** button again. The shade jogs once.

JOG x 1

**Remove My Favorite Position** is done.

### ADJUST THE TOP LIMIT



Step 1. Click the **LEFT** or **Right** buttons to select the channel you wish to program.

Step 2. Press the **STOP** and **UP** buttons for about 5 seconds until the shade jogs once.

JOG x 1

Step 3. Use the remote to control the shade to the desired upper position.

Step 4. Press the **STOP** and **UP** buttons for about 2-3 seconds until the shade jogs twice.

JOG x 2

**Adjust the top limit** is done.

## ADJUST THE BOTTOM LIMIT to fit your window height



Step 1. Click the **LEFT** or **Right** buttons to select the channel you wish to program.

Step 2. Press the **STOP** and **DOWN** buttons for about 5 seconds until the shade jogs once.

JOG x 1

Step 3. Use the remote to control the bottom rail to fit your window height.

Step 4. Press the **STOP** and **DOWN** buttons for about 2-3 seconds until the shade jogs twice.

JOG x 2

**Adjust the bottom limit** is done.

Note. Use the single-channel remote to adjust limits if you have a Simply stock motorized shade with a single-channel remote.

## ADD/ REMOVE A DUPLICATED REMOTE CONTROL

### ADD



Step 1. Select the channel you wish to copy by clicking the **LEFT** or **RIGHT** buttons.

Step 2. Click one of the **P2** buttons once on the existing remote. The shade jogs once.

JOG x 1

Step 3. Click the same **P2** button again. The shade jog once.

JOG x 1

Step 4. Select the channel you wish to copy on the **NEW** remote by clicking the **LEFT** or **RIGHT** buttons.

JOG x 2

Step 5. Click one of the **P2** buttons on the new remote. The shade jogs twice.

### REMOVE

Process the step1 to 5 above to remove the remote.

## LOCK/ UNLOCK 3 FRONT BUTTONS to prevent resetting the top and bottom limits

### LOCK



Step 1. Press and hold the **STOP** button until “L” shown on the screen (about 15-20 seconds).

Step 2. Click **P2** button once, then the “half 0” symbol will be shown on the screen. **The lock setup** is done.

### UNLOCK

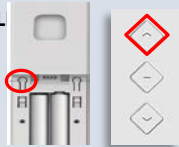


Step 1. Press and hold the **STOP** button until “U” shown on the screen (about 15-20 seconds).

Step 2. Click **P2** button once, then the “half 0” symbol will be shown on the screen. **The unlock setup** is done.

**ADJUST THE MOTOR SPEED** (Three speeds are available. When you don't get two jogs in the latest programming step, that means the motor is either at the highest or the lowest speed.)

### ACCEL



Step 1. Click one of the **P2** buttons once. The shade jogs once.

JOG x 1

Step 2. Click the **UP** button. The shade jogs once.

JOG x 1

Step 3. Click the **UP** button again. The shade jogs twice.

JOG x 2

### DECELERATE



Step 1. Click one of the **P2** buttons once. The shade jogs once.

JOG x 1

Step 2. Click the **DOWN** button. The shade jogs once.

JOG x 1

Step 3. Click the **DOWN** button again. The shade jogs twice.

JOG x 2

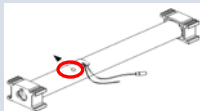
## REVERSE THE MOTOR DIRECTION

P1 motor receiver button



Step 1. Press the **P1** button on the shade you wish to program until the shade jogs 3 times (about 10 seconds). The location of the P1 button can be found on page 3.

JOG x 3



NOTE. The **P1** button is at side of the small motor and on the top of the larger motor. Refer to page 3 for the P1 location.

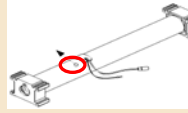
## FACTORY RESET

P1 motor receiver button



Step 1. Press the **P1** button on the shade you wish to reset until the shade jogs 4 times (about 15 seconds).

JOG x 4



**Note.** DO NOT RELEASE the **P1** button during this step. If accidentally release it, please must redo it again. Different numbers of jogs will result in different settings.

## PAIR THE REMOTE TO THE SHADE

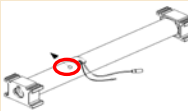
P1 motor receiver button



Step 1. Press the **P1** button on the same shade about 2-3 seconds. The shade jogs once.

JOG x 1

Step 2. Select the channel on the remote.



Step 3. Press the **STOP** button on the remote for about 2-3 seconds. The shade jogs twice. Make sure you stay at the same channel.

JOG x 2

In the rare instance that you may have to do the "FACTORY RESET", follow the steps at right. Then, complete the programming of "PAIR THE REMOTE TO THE SHADE" and "set up TOP & BOTTOM LIMITS" before operating the motorized shade again.



FCC ID  
#2AWSE-STP054

FOR INDOOR USE ONLY

## SET UP THE TOP AND BOTTOM LIMIT

TOP Limit



Step 1. Move the shade to the top position by pressing the **UP** button.

Step 2. Press both **UP** and **STOP** buttons for about 2-3 seconds. The shade jogs twice.

JOG x 2

Bottom Limit



Step 1. Move the bottom rail to the bottom position by pressing the **DOWN** button.

Step 2. Press both **DOWN** and **STOP** buttons for about 2-3 seconds. The shade jogs twice.

JOG x 2