



CACO, INC.
WINDOW FASHIONS

Retail Price Guide 2026

Serenity Roller Shades

Cordless Horizontal Blinds

Delta Woods

Avalon Faux Wood

Cordless Fast Faux

Aluminum Horizontal Blinds

Designer Natural Woven Woods

Boone Cellular Shades

Dual Sheer Shades

Sheerview Horizontal Shades

Table of Contents

<u>Customer Service Policies</u>	1-2
<u>Serenity Roller Shades</u>	
Features, Options, Care & Operating Instructions	3
Pricing	4-7
Motorization	8-9
Warranty	10
<u>Horizontal Blinds</u>	
▪ <u>Delta Woods</u>	
Price Charts, Features & Options	11
Motorization	12
Warranty	13
▪ <u>Avalon Faux Wood</u>	
Price Charts	14
Features & Options	15
Warranty	16
▪ <u>Cordless Fast Faux</u>	
Price Charts, Features & Options	17
Warranty	18
▪ <u>Aluminum Horizontal Blinds</u>	
Available Colors and Limitations	19-20
1" Standard Cordless	21
1" Premium Cordless	22
1" Motorized	23
2" Cordless	24
1/2" Micro Cordless	25
Warranty	26
<u>Designer Natural Woven Woods</u>	
Styles & Features	27
Measuring & Headrail Options	28
Shade Option & Limitation Charts	29
Features & Surcharges	30
Motorization	31
Pattern Identification	32-33
Cordless Limitations	34-35
Woven Wood Shade Pricing	
▪ Dynasty Collection Charts	36
▪ Galaxy Collection Charts	37
Special Notes & Ordering Instructions	38
Warranty, Care & Maintenance	39

 WARNING		Window Blind Cord Strangulation Risk A damaged, loose, or missing tension device poses a strangulation risk to children. Remove from use and repair or replace if tension device is damaged, loose, or missing.	08/2023 ANEW/NCMA 5.1.1
		Riesgo de estrangulamiento por cordón de persiana Un dispositivo de tensión dañado, suelto o faltante presenta un riesgo de estrangulamiento para niños. Retira y repare o reemplace si el dispositivo de tensión está dañado, suelto o falta.	

Table of Contents

Boone Collection Cellular Shades	
Features & Benefits	40
Style Options	41
Headrail and Stacking Charts	42
Standard Features, Surcharges & Limitations	43
Fabric Selections & Coordination	44-45
Color Availability	46
Fabric Price Group Charts	47
Price Charts	48-51
Motorization	
Simple Touch	52
Automate	53
Special Shades	
Slider Cellular Shades	54
Arches	54
Specialty Shapes	54
Simply Cordless Systems	55
Warranty	56
Dual Sheer Shades	
Features	57
Cassette Options	58
Bottom Bar Options	59
Specifiactions	60
Fabric Reference	61-62
Control Options	
Clutch, Cordless & Wand Control	63
Remote Control	64
Price Charts	65-66
Warranty	67
Sheerview Horizontal Shade Collection	
Features, Benefits Fabric Reference & Measuring Instructions	68
Design and Operation	69
Fabric Selection	70-71
Price Charts	72-73
Operating Systems, Options & Motorization Surcharges	74
Child Safety, Care & Warranty	75

 WARNING		08/2023 ANEW/NDMA 5.1.1
		<p>Window Blind Cord Strangulation Risk A damaged, loose, or missing tension device poses a strangulation risk to children. Remove from use and repair or replace if tension device is damaged, loose, or missing.</p>
 ADVERTENCIA		<p>Riesgo de estrangulamiento por cordón de persiana Un dispositivo de tensión dañado, suelto o faltante presenta un riesgo de estrangulamiento para niños. Retira y repare o reemplaza si el dispositivo de tensión está dañado, suelto o falta.</p>

How to place an order

For your convenience, CACO provides you with the option of placing orders by either telephone, email, online or fax (if placed by fax, CACO will provide order forms at no additional cost; customers must request forms). Orders placed after 3:00 pm EST will be forwarded to the next business day.

Telephone orders

CACO Customer Service Representatives are available between the hours of 8:30 am and 5:00 pm Eastern Standard time at 1-800-552-5278. Any order placed by phone requires a signed order confirmation returned to customer service by fax or email before proceeding with order. Keep in mind, when phoning in your order, it is important to have the following information available:

- Account number (if known)
- Individuals name that is calling
- P.O. number and/or side mark
- Color or colors
- Type of product ordered
- Measurements (width-first, length-second)
- Inside or outside mount (i.m./i.b or o.m./o.b)
- Control instructions
- Ship to address if different than sold-to
- Special instructions for shipping
- Valance instructions
- Any other special instructions
- Quote number, if order is placed from a previous quote

Fax and Email Orders

Fax orders can be placed any time of day or night including holidays at 1-866-926-5836 or email to customerservice@cacoinc.com. To ensure order accuracy for faxed orders, it is advisable to use the order forms CACO supplies or a comparable form. It is important to note the number of pages of your order, including the cover sheet to ensure that no pages will be missing. For fax or email orders please include all of the same information required for telephone orders. Any omission of pertinent information will only delay your orders manufacturing time.

Online Orders

Orders can be placed online at <https://88043.picbusiness.com/>. If you your account has not been set up to access our online portal, please contact support@cacoinc.com to sign up. This access allows you to quote, order as well as make payments online. Please note shutters are not available online to quote or place as orders, you will need to contact customer service for information about these products. Additionally, orders are released from internet hold and reviewed for credit at the daily 2:30 PM EST cutoff. Any orders submitted online after this time will be reviewed the following business day.

How to expedite an order

In some occasions we may be able to provide a faster ship date for emergency situations, however customer service must be contacted when placing this type of order to verify. Additionally, if next day and second day shipping are required the customer will incur any additional shipping cost for expedited shipping.

How to add on or make changes to an order

In the event that you wish to add to your original order, it is possible, if the order has not moved into fabrication. You will be required to submit changes in writing and must be signed by a person of authority indicating the items you wish to add or change. No verbal requests can be made. You will need to refer to the original P.O. number and indicate clearly the additions or changes you're requesting. Note: because add-ons may affect production time, check with customer service for any possible delays.

How to cancel an order

Cancellations or changes require an immediate response and can only take place up until the start of fabrication. You must first identify your P.O. number or side mark and then state the cancellation or change. Cancellations must be faxed or emailed in writing only, phone calls are not permitted. If an order has already been cut, a minimum charge of 50% will apply.

Should you order for the same room at different times?

This is a frequently asked question and should be addressed and explained at the point of sale. Under normal circumstances blinds, shades and verticals should be ordered for the same room at one time to prevent color deviations, as a result of dye and paint color variations from original lot to the other. If additional blinds, shades or verticals are ordered at a later time for the same room there can be a distinct color difference from the existing product to the new product. Also, window coverings that have been previously installed can have shade differentiations from newer products due to the progress of aging.

Questions concerning an order

Once you contact customer service you must have your P.O. number and/or side mark available.

Shipping and Handling Charges

- Minimum order Fee: \$25 shipping and handling fee will be added to any order with 2 units or less.
- Per Unit Fee: \$10 per unit shipping and handling fee will be added for all delivery orders with more than 2 units in lieu of the minimum order charge.
- >90" Oversized Fee: Any order with a product over 90" width (including oversized items such as valances that are not ordered spliced) will have an oversized fee of \$90 per unit up to \$180 maximum fee in addition to any minimum or per unit shipping and handling fees.
- >104" Extended Oversized Fee: Any order with a product over 104" (including oversized items such as valances that are not ordered spliced) will ship by LTL carrier and will incur an additional \$120 extended oversized fee per order in addition to any applicable minimum order, per unit and oversized handling fees.
- Accessorial LTL Truck delivery charges such as liftgate, inside delivery, re-consignment, re-delivery, etc. will be the responsibility of the receiving party.

Credit and additional charges

Open accounts are established by submitting a CACO credit application. You will be required to list trade and bank references as well as a current sales tax id number. PIA (Pay in Advance). accounts are also obligated to submit a credit application. Invoices are due within 30 days of the date posted. After 30 days accounts will be charged 1.5% interest per month. CACO reserves the right not to ship to accounts with past due balances.

Payment Policy

Current payment methods accepted are check, emailed or faxed checks for ACH processing, credit cards (Mastercard, Visa, Discover) and online payments by credit card or bank draft. Due to additional credit card fees, effective March 8th, a 2% processing fee will be added to all credit card payments. This fee can be avoided by either mailing checks to our PO Box or to expedite payments send a copy of your check along with our Check by Fax form by email to customerservice@cacoinc.com or fax to (866) 552-5278. Please note CACO will not automatically charge any credit card or process ACH transaction without a current, on file preauthorization forms, otherwise approval will be required at the time of each transaction.

If you receive product that has been visibly damaged while in transit

Before accepting any shipments, please examine each carton carefully. If shipment shows any signs of mistreatment or damage, i.e., wheel marks, crushed or bent cartons note this on the bill of lading and have the driver sign it and note damage. Should a replacement be necessary, CACO will bill you. Your replacement invoice will enable you to file a claim with the responsible carrier. It is imperative that you count all cartons prior to signing the bill of lading; any shortages must be noted on the bill of lading with the driver's signature.

Shipping discrepancies

If the product received does not agree with your packing slip, contact a CACO customer service representative within 24 hours. Your representative will verify any action needed for a resolution and expedite any necessary replacements.

If you should receive a defective product

Your warranty protects you against defective products (please read your warranty for all information, disclaimers and liabilities). Should you receive a defective product, contact CACO customer service and provide detailed information including your P.O. number. If the product is not sent back for repair, you will be invoiced for a replacement and required to return back the original product to CACO for inspection. Any issue arising past 30 days from receipt of original order will be required to return product for repair.

How to Measure

Inside mount

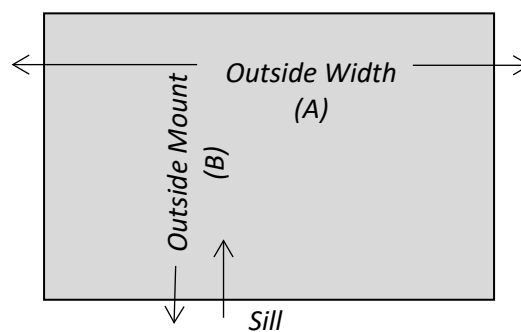
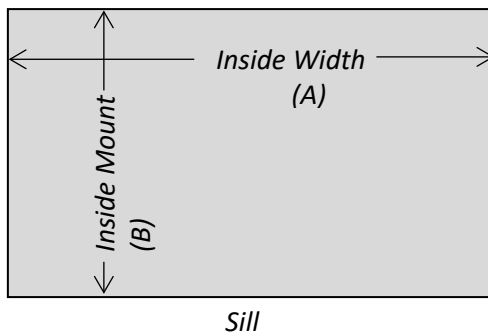
A. Measure the window opening at three different places and use the narrowest dimension when ordering. Be exact! The factory will make the blind slightly narrower, so it won't rub against the window casing. (See A inside mount).
 B. Measure the height of the window from the top (soffit) down to the sill. NOTE: The finished blind length may have a tolerance of based on product.

Outside mount

Measure exact width and height of the area to be covered. It is recommended that blinds overlap the window opening by at least 1 1/2" on each side to insure privacy and control sunlight. (See A outside mount). When installation is designed for "no sill," allow the blind to overlap the bottom of the window casing by at least 1 1/2". Blinds will be made to exact measurements given. NOTE: The finished blind length may have a tolerance of based on product.

Based on product, CACO will automatically make a deduction on width for measurements submitted as inside mount.

CACO will not make any deductions for measurements submitted as outside mount.



Features, Options & Care

Features

- Manual Clutch system operated via #10 stainless steel, plastic or painted steel bead chain.
- Varying diameters of aluminum tube to accommodate most any width.
- 1" aluminum internal hem bar.
- Available in many styles in Textstyle, Mermet decorative fabric and blackout fabrics. Fabric opaqueness varies from translucent to room darkening.
- Textstyle and Mermet solar shading fabrics can still keep the view while blocking harmful UV rays from the sun. Easy to clean.

Options

- 3" or 4" flat
- Rollease Cassette System
 - o Curved: CD120 or CD 110 (fabric insert only)
 - o Square: CD 110 (available unwrapped or wrapped)
- Rollease 5" Fascia Dual Shade System Colors available
- Fabric Wrapped Fascia available for 4" Fascia with skyline clutch only
- Aluminum external bottom bar Colors available
- Motorization 5 volt rechargeable, 12 volt DC or 110 volt AC with multiple control options. See motorized roller shade section

	Options Color Availability				
	White	Alabaster	Aluminum	Bronze	Black
3" Fascia	Y	Y	Y	Y	Y
4" Fascia	Y	Y	Y	Y	Y
Curved CD 100	Y	Y	Y	Y	Y
Square CD 110	Y	Y	Y	Y	Y
Curved CD 120	Y	Y	Y	Y	Y
5" Fascia	Y	N	Y	Y	Y
External Bottom Bar	Y	Y	Y	Y	Y

Surcharges

- External Clutch \$13.00 per shade
 - Galaxy Clutch \$25.50 per shade
 - Fabric Wrapped Fascia 25% upcharge on 4" fascia charge
 - Side Channels* \$43.00 per ft (length of shade)
 - Sill Channels* \$16.30 per ft (width of shade)
- Customer discount will be applied to additional charges for Clutches, Side and Sill channels.

* Round up to nearest foot¹

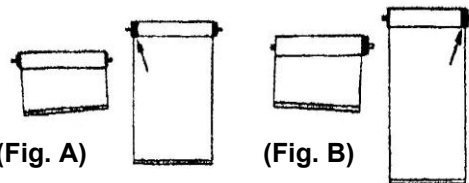
Cordless Options:

Minimum Width	Maximum Width	Maximum Length
12"	84"	96"

CARE AND OPERATION

Make sure brackets are mounted level or shade will roll crooked.

IF YOUR SHADE DOES NOT ROLL STRAIGHT, CORRECT AS FOLLOWS:



Example:

(Fig. A)

(Fig. B)

(Fig. A) - Shade veers toward right. Correct by lowering shade completely and place a piece of paper, indicated by arrow, as close to the roller as possible. It acts as a shim.

(Fig. B) - Shade veers toward left. Correct by lowering shade completely and place a piece of paper, indicated by arrow, as close to the roller as possible. It acts as a shim.

Fabric Style	Type	Width	Railroad	Chart
3000 Privacy	Screen	118"	N	4
3000 Net 1%	Screen	118"	N	4
3000 Net 3%	Screen	118"	N	3
3000 Net 5%	Screen	118"	N	3
3000 Net 10%	Screen	118"	N	2
3000 HT 3%	Screen	98"	N	3
3000 HT 5%	Screen	98"	N	3
3000 RR	Screen	98"	N	3
4000 Net 3%	Screen	118"	N	3
4000 Net 5%	Screen	118"	N	3
Ambient Renew 1%	Screen	118"	N	6
Ambient Renew 5%	Screen	118"	N	5
Balmoral*	Blackout	118"	N	8*
Balmoral*	Light Filtering	118"	N	6*
Broad Lines	Translucent	110"	Y	5
Chateau	Light Filtering	118"	N	1
Chateau	Blackout	118"	N	3
E Screen .5%	Screen	122"	Y	9
E Screen 1%	Screen	122"	Y	8
E Screen 3%	Screen	122"	Y	7
E Screen 5%	Screen	122"	Y	6
E Screen 10%	Screen	122"	Y	6
E Screen Deco 1%	Screen	122"	Y	9
E Screen Deco 3%	Screen	122"	Y	8
E Screen Koolblack 1%	Screen	122"	Y	11
E Screen Koolblack 3%	Screen	122"	Y	11
E Screen Koolblack 5%	Screen	122"	Y	10
Illusion	Translucent	110"	Y	5
Jersey	Blackout	118"	N	8
Jersey	Light Filtering	118"	N	6
Kleen Screen 1%	Screen	118"	N	2
Kleen Screen 3%	Screen	118"	N	1
Kleen Screen 5%	Screen	118"	N	1
Kleen Screen Blackout	Blackout	118"	N	4
Linen	Translucent	110"	Y	6
M Screen 1%	Screen	122"	Y	8
M Screen 3%	Screen	122"	Y	7
M Screen 5%	Screen	122"	Y	6
Mesa	Blackout	118"	N	7
Mesa	Light Filtering	118"	N	5
Pinpointe	Blackout	98"	N	1
S Screen 1%	Screen	122"	N	9
S Screen 4%	Screen	122"	N	9
Sanctuary	Blackout	118"	N	7
Sanctuary	Light Filtering	118"	N	5
Slender Lines	Translucent	110"	Y	5
Slight	Translucent	110"	Y	4
T Screen 1%	Screen	122"	N	9
T Screen 3%	Screen	122"	N	8
T Screen Koolblack 1%	Screen	122"	Y	10
T Screen Koolblack 3%	Screen	122"	Y	10
Tusk	Blackout	118"	N	5
Tusk	Light Filtering	118"	N	2
Vasso	Blackout	118"	N	5

*Add 10% surcharge: Balmoral Armour, Chrome & Platinum

Price Charts – Group 1, Group 2 & Group 3

	25"	31"	37"	43"	49"	55"	61"	67"	73"	79"	85"	97"	108"	120"
3" Fascia	90	99	107	114	124	132	141	149	157	166	176	191	206	225
4" Fascia	89	102	110	122	131	144	154	163	176	186	195	218	239	259
4" Fabric Wrapped Fascia – Skyline only	110	126	136	152	163	179	192	204	218	233	244	271	295	324
CD100 or CD110-(No Fabric Wrap)	93	110	127	146	163	180	197	216	233	251	268	305	341	n/a
CD120 or CD110-(Fabric Wrap)	98	118	136	156	176	193	215	233	253	270	292	330	356	n/a
5" Fascia Dual Shade	166	179	191	203	216	227	240	251	265	276	288	313	n/a	n/a
Cordless	99	99	99	113	113	113	131	131	131	131	131	n/a	n/a	n/a
External Bottomrail	26	30	36	41	47	53	58	64	70	75	81	93	103	114

Group 1		Chateau Light Filtering (118")		Kleenscreen 3% (118")		Kleenscreen 5% (118")		Pinpointe (98")		(Fabric Width)					
Width to:		25"	31"	37"	43"	49"	55"	61"	67"	73"	79"	85"	97"	108"	120"
Length to:	36"	173	195	215	234	253	270	289	309	327	355	375	411	622	672
	42"	179	203	221	242	262	282	301	322	341	372	392	431	644	694
	48"	184	208	230	251	272	292	313	334	355	386	407	450	665	718
	54"	188	214	237	259	282	302	325	348	370	402	424	470	687	742
	60"	193	219	243	267	291	313	337	360	383	418	441	488	706	765
	66"	198	226	251	275	300	324	349	374	399	432	457	505	728	787
	72"	204	232	258	284	310	334	360	386	411	448	474	525	750	811
	78"	208	238	265	292	320	347	373	400	427	463	490	543	770	834
	84"	213	244	272	300	328	356	383	411	441	478	507	563	789	858
	90"	217	251	279	309	338	368	396	426	455	494	524	582	811	881
	96"	221	257	286	316	348	378	407	438	470	510	539	599	832	904
	108"	232	268	301	333	367	400	431	464	498	540	571	638	875	950
	120"	241	280	315	350	384	421	455	490	526	570	606	675	916	997
	132"	252	292	329	367	404	443	478	516	553	599	638	713	959	1043
144"	261	303	345	383	423	463	502	542	582	632	671	751	999	1091	

Group 2		3000 Net 10% (118")		Kleenscreen 1% (118")		Tusk Light Filtering (118")		(Fabric Width)							
Width to:		25"	31"	37"	43"	49"	55"	61"	67"	73"	79"	85"	97"	108"	120"
Length to:	36"	181	205	225	245	266	286	306	326	348	377	399	438	652	704
	42"	187	212	233	256	276	299	321	341	364	396	418	461	677	731
	48"	191	218	241	265	288	311	334	356	380	414	435	482	702	758
	54"	197	226	251	274	299	324	348	373	397	431	456	504	726	785
	60"	204	233	259	285	310	336	361	387	414	449	475	527	751	812
	66"	210	240	267	294	322	349	376	403	430	467	494	548	775	841
	72"	215	246	275	303	332	360	391	419	447	486	514	570	800	868
	78"	219	254	284	313	345	374	403	433	463	503	534	593	824	895
	84"	226	261	292	324	354	386	418	449	480	521	552	615	849	922
	90"	232	268	300	333	367	399	431	463	497	539	571	637	874	949
	96"	238	275	309	343	377	410	446	478	513	557	591	660	899	976
	108"	249	289	326	363	400	435	473	510	545	593	631	703	946	1032
	120"	260	302	343	381	422	461	500	540	580	629	667	747	996	1086
	132"	272	316	359	402	444	486	528	570	612	664	706	793	1044	1140
144"	283	330	376	421	465	511	556	599	645	701	746	835	1094	1197	

Group 3		3000 Net 3% (118")		3000 Net 5% (118")		3000 HT 3% (98")		3000 HT 5% (98")		(Fabric Width)					
Width to:		25"	31"	37"	43"	49"	55"	61"	67"	73"	79"	85"	97"	108"	120"
Length to:	36"	184	208	229	249	270	292	312	333	354	384	406	448	663	716
	42"	189	215	238	260	283	305	327	350	373	404	427	472	689	746
	48"	194	221	245	270	294	318	341	365	391	423	447	495	715	774
	54"	202	231	256	280	306	330	356	381	406	443	468	517	741	802
	60"	207	238	264	291	318	345	372	399	424	461	488	541	767	832
	66"	213	244	273	301	329	356	384	414	443	480	509	565	794	860
	72"	218	252	282	312	341	372	401	430	459	499	528	589	820	890
	78"	225	260	291	322	353	383	415	446	477	517	549	611	846	918
	84"	232	267	300	332	364	397	430	462	495	537	569	635	872	946
	90"	238	274	309	343	376	409	445	478	512	556	590	659	896	975
	96"	243	283	318	352	387	423	458	494	529	575	610	680	922	1005
	108"	256	297	336	374	410	450	488	526	565	613	651	728	973	1063
	120"	267	312	353	394	434	476	517	559	598	651	691	774	1025	1119
	132"	279	326	372	415	458	502	546	591	635	689	732	821	1078	1177
144"	291	341	388	434	482	529	575	622	670	727	773	867	1130	1234	

Any product to the right or below dark line are manufactured with heavy duty clutch and tube. Any product in gray shaded area will require seam (not all fabrics can be seamed, check with customer service). Any orders with a product over 90" width will have an additional oversized fee. See full shipping policy for details.

Price Charts – Group 4, Group 5 & Group 6

	25"	31"	37"	43"	49"	55"	61"	67"	73"	79"	85"	97"	108"	120"
3" Fascia	90	99	107	114	124	132	141	149	157	166	176	191	206	225
4" Fascia	89	102	110	122	131	144	154	163	176	186	195	218	239	259
4" Fabric Wrapped Fascia – Skyline only	110	126	136	152	163	179	192	204	218	233	244	271	295	324
CD100 or CD110-(No Fabric Wrap)	93	110	127	146	163	180	197	216	233	251	268	305	341	n/a
CD120 or CD110-(Fabric Wrap)	98	118	136	156	176	193	215	233	253	270	292	330	356	n/a
5" Fascia Dual Shade	166	179	191	203	216	227	240	251	265	276	288	313	n/a	n/a
Cordless	99	99	99	113	113	113	131	131	131	131	131	n/a	n/a	n/a
External Bottomrail	26	30	36	41	47	53	58	64	70	75	81	93	103	114

Group 4		3000 Net Privacy (118")			3000 Net 1% (118")			Kleenscreen Blackout (118")			Slight (110")		(Fabric Width)		
Width to:		25"	31"	37"	43"	49"	55"	61"	67"	73"	79"	85"	97"	108"	120"
Length to:	36"	187	212	234	256	276	299	321	343	364	396	419	461	678	732
	42"	192	219	243	266	289	313	337	359	382	417	440	487	705	762
	48"	199	229	253	278	302	327	352	377	402	435	461	512	733	795
	54"	206	235	262	288	314	341	368	395	421	457	483	537	760	825
	60"	213	243	272	299	327	355	382	410	440	477	504	562	787	855
	66"	218	252	282	311	340	370	400	429	458	498	527	586	816	887
	72"	225	260	291	322	352	383	415	446	476	517	548	611	845	917
	78"	232	267	300	332	365	399	430	463	495	538	570	636	873	948
	84"	238	275	310	345	378	411	446	480	514	558	592	661	900	980
	90"	244	284	320	354	391	426	462	498	534	580	615	686	928	1011
	96"	251	292	328	367	403	440	477	514	552	598	636	711	955	1041
	108"	264	307	348	387	428	468	509	549	590	639	679	759	1011	1103
	120"	276	323	367	409	453	497	540	584	626	679	724	809	1066	1163
	132"	289	339	384	432	478	525	570	618	664	721	767	860	1121	1226
144"	302	354	404	454	503	553	604	652	702	760	810	910	1177	1286	

Group 5		Ambient Renew 5% (118") Mesa Light Filtering (118") Slender Lines (110")			Broad Lines (110") Sanctuary Light Filtering (118") Tusk Blackout (118")			Illusion (110") Vasso (118")			(Fabric Width)				
Width to:		25"	31"	37"	43"	49"	55"	61"	67"	73"	79"	85"	97"	108"	120"
Length to:	36"	195	225	251	275	300	325	350	376	401	434	459	511	727	786
	42"	205	235	262	289	316	345	372	399	424	461	488	542	761	827
	48"	213	245	274	303	333	361	392	420	449	488	516	573	798	867
	54"	220	257	287	318	349	380	410	443	474	514	544	608	834	906
	60"	230	266	299	332	365	399	431	464	498	540	572	639	869	946
	66"	239	276	312	347	381	418	451	487	522	566	600	671	905	987
	72"	246	287	324	360	399	434	472	510	545	593	631	704	942	1026
	78"	256	297	336	376	414	454	492	532	570	619	659	735	976	1066
	84"	264	307	349	391	430	472	513	553	594	645	687	769	1014	1106
	90"	272	318	360	404	447	489	534	575	619	671	715	800	1049	1147
	96"	280	328	374	419	463	509	553	597	643	698	742	833	1084	1186
	108"	297	349	397	447	495	544	593	643	691	751	799	896	1157	1266
	120"	313	369	422	475	528	582	635	687	740	802	855	962	1229	1346
	132"	329	391	447	503	561	618	675	731	787	855	913	1025	1300	1425
144"	347	409	472	534	593	654	715	777	836	907	969	1091	1372	1506	

Group 6		Ambient Renew 1% (118") E Screen 10% (122") Linen (110")			Balmoral Light Filtering* (118") Jersey Light Filtering (118") M Screen 5% (122")			E Screen 5% (122")			(Fabric Width)				
Width to:		25"	31"	37"	43"	49"	55"	61"	67"	73"	79"	85"	97"	108"	120"
Length to:	36"	202	231	258	284	311	338	364	392	418	454	480	534	748	811
	42"	211	242	270	300	328	357	386	415	445	482	512	568	787	856
	48"	219	254	285	315	348	378	408	440	472	512	542	606	827	901
	54"	230	265	299	332	365	399	431	464	498	541	573	640	867	945
	60"	238	276	312	348	382	419	454	489	525	569	606	676	907	989
	66"	246	288	326	364	401	438	476	514	552	598	637	712	947	1034
	72"	257	299	339	379	420	458	499	539	580	627	667	748	987	1078
	78"	266	311	353	395	437	480	521	564	607	658	700	783	1026	1121
	84"	275	323	367	410	455	500	543	589	633	687	730	820	1067	1166
	90"	284	333	380	427	474	519	566	613	660	715	761	855	1106	1210
	96"	293	346	394	444	491	540	589	638	687	745	794	891	1147	1255
	108"	312	368	421	474	527	581	634	687	740	802	855	962	1226	1342
	120"	329	392	449	505	564	621	678	735	795	861	918	1035	1306	1431
	132"	349	414	476	538	599	662	725	785	849	919	982	1105	1386	1520
144"	368	437	503	569	636	702	770	835	902	976	1043	1177	1466	1608	

Any product to the right or below dark line are manufactured with heavy duty clutch and tube. Any product in gray shaded area will require seam (not all fabrics can be seamed, check with customer service). Any orders with a product over 90" width will have an additional oversized fee. See full shipping policy for details.

Serenity Roller Shades



Price Charts – Group 7, Group 8 & Group 9

	25"	31"	37"	43"	49"	55"	61"	67"	73"	79"	85"	97"	108"	120"
3" Fascia	90	99	107	114	124	132	141	149	157	166	176	191	206	225
4" Fascia	89	102	110	122	131	144	154	163	176	186	195	218	239	259
4" Fabric Wrapped Fascia – Skyline only	110	126	136	152	163	179	192	204	218	233	244	271	295	324
CD100 or CD110-(No Fabric Wrap)	93	110	127	146	163	180	197	216	233	251	268	305	341	n/a
CD120 or CD110-(Fabric Wrap)	98	118	136	156	176	193	215	233	253	270	292	330	356	n/a
5" Fascia Dual Shade	166	179	191	203	216	227	240	251	265	276	288	313	n/a	n/a
Cordless	99	99	99	113	113	113	131	131	131	131	131	n/a	n/a	n/a
External Bottomrail	26	30	36	41	47	53	58	64	70	75	81	93	103	114

Group 7		E Screen 3% (122") Mesa Blackout (118")		M Screen 3% (122") Sanctuary Blackout (118")		(Fabric Width)									
Width to:		25"	31"	37"	43"	49"	55"	61"	67"	73"	79"	85"	97"	108"	120"
Length to:	36"	208	239	267	296	324	352	380	408	437	475	503	559	778	845
	42"	217	252	283	313	345	375	405	435	467	507	538	598	821	892
	48"	229	265	298	330	364	397	430	463	497	539	571	638	864	941
	54"	238	276	312	348	382	419	454	490	526	570	607	677	907	989
	60"	248	289	327	365	403	441	478	516	556	604	640	716	950	1038
	66"	258	301	341	382	423	463	503	543	584	635	675	755	995	1086
	72"	268	314	356	400	443	486	528	570	613	665	708	795	1039	1134
	78"	278	326	373	418	462	507	553	597	643	698	743	833	1082	1183
	84"	288	339	386	434	482	529	578	624	672	729	778	873	1126	1231
	90"	299	352	402	451	502	552	600	652	702	760	811	912	1169	1280
	96"	309	364	418	470	521	573	626	679	731	794	847	950	1212	1328
	108"	328	388	447	503	562	618	676	732	789	856	915	1029	1300	1425
	120"	349	415	476	539	599	663	726	786	850	920	984	1107	1388	1522
	132"	369	440	505	572	640	706	774	841	908	985	1052	1185	1473	1619
144"	388	464	537	608	679	752	824	895	967	1048	1120	1263	1561	1716	

Group 8		Balmoral Blackout* (118") Jersey Blackout (118")		E Screen 1% (122") M Screen 1% (122")		E Screen Deco 3% (122") T Screen 3% (122")		10% surcharge on Balmoral Patterns Armor, Chrome & Platinum							(Fabric Width)	
Width to:		25"	31"	37"	43"	49"	55"	61"	67"	73"	79"	85"	97"	108"	120"	
Length to:	36"	213	245	275	306	336	365	395	426	455	494	524	583	801	873	
	42"	225	260	292	325	356	388	422	454	487	528	561	624	849	923	
	48"	235	273	309	345	378	414	448	483	518	563	597	667	895	976	
	54"	245	287	325	361	400	437	475	513	551	597	635	711	943	1029	
	60"	257	300	340	380	421	462	502	542	583	633	672	753	990	1081	
	66"	268	314	356	400	444	486	528	571	615	666	708	796	1038	1134	
	72"	279	327	374	419	464	510	556	599	646	701	747	837	1084	1186	
	78"	289	341	388	437	486	535	582	631	678	735	783	880	1132	1239	
	84"	300	354	405	456	507	558	609	660	711	771	822	922	1179	1292	
	90"	312	369	422	475	528	582	636	689	742	805	858	966	1227	1345	
	96"	323	381	437	494	549	607	662	718	774	839	895	1009	1274	1396	
	108"	345	408	471	532	593	654	715	777	837	908	970	1093	1368	1502	
	120"	367	435	502	569	636	702	770	835	902	976	1044	1177	1463	1607	
	132"	387	463	536	607	678	751	823	894	966	1047	1119	1261	1557	1712	
144"	409	490	567	644	723	799	876	953	1029	1116	1194	1347	1652	1818		

Group 9		E Screen 5% (122") S Screen 1 & 4% (118")		E Screen Deco 1% (122") T Screen 1% (122")		(Fabric Width)									
Width to:		25"	31"	37"	43"	49"	55"	61"	67"	73"	79"	85"	97"	108"	120"
Length to:	36"	221	258	289	322	354	386	419	451	483	525	557	621	842	917
	42"	234	273	309	343	378	414	449	483	518	564	597	669	895	975
	48"	246	288	326	364	402	441	478	516	554	600	640	716	947	1036
	54"	259	303	345	384	427	467	509	549	591	640	681	762	1000	1093
	60"	270	318	363	406	450	494	539	583	626	679	724	811	1054	1152
	66"	284	333	380	428	474	521	568	616	662	718	765	859	1107	1211
	72"	296	349	399	449	499	548	597	647	699	757	807	906	1160	1270
	78"	309	364	418	470	522	575	629	680	733	796	849	954	1212	1329
	84"	321	379	434	490	545	604	659	714	770	834	890	1001	1266	1389
	90"	332	395	453	512	570	629	688	747	806	874	932	1049	1319	1446
	96"	346	409	472	534	594	656	717	780	841	913	973	1096	1372	1506
	108"	369	440	507	575	643	711	778	846	913	989	1056	1191	1479	1624
	120"	394	471	543	617	690	765	837	912	985	1067	1140	1286	1583	1741
	132"	419	501	581	660	739	819	896	976	1056	1144	1225	1383	1690	1859
144"	444	530	617	702	786	873	958	1042	1128	1223	1307	1477	1796	1977	

Any product to the right or below dark line are manufactured with heavy duty clutch and tube. Any product in gray shaded area will require seam (not all fabrics can be seamed, check with customer service). Any orders with a product over 90" width will have an additional oversized fee. See full shipping policy for details.

Price Charts – Group 10, Group 11 & Group 12

	25"	31"	37"	43"	49"	55"	61"	67"	73"	79"	85"	97"	108"	120"
3" Fascia	90	99	107	114	124	132	141	149	157	166	176	191	206	225
4" Fascia	89	102	110	122	131	144	154	163	176	186	195	218	239	259
4" Fabric Wrapped Fascia – Skyline only	110	126	136	152	163	179	192	204	218	233	244	271	295	324
CD100 or CD110-(No Fabric Wrap)	93	110	127	146	163	180	197	216	233	251	268	305	341	n/a
CD120 or CD110-(Fabric Wrap)	98	118	136	156	176	193	215	233	253	270	292	330	356	n/a
5" Fascia Dual Shade	166	179	191	203	216	227	240	251	265	276	288	313	n/a	n/a
Cordless	99	99	99	113	113	113	131	131	131	131	131	n/a	n/a	n/a
External Bottomrail	0	30	36	41	47	53	58	64	70	75	81	93	103	114

Group 10		E Screen Koolblack 5% (122")											T Screen Koolblack 1% & 3% (122")				(Fabric Width)	
Width to:		25"	31"	37"	43"	49"	55"	61"	67"	73"	79"	85"	97"	108"	120"			
Length to:	36"	251	293	333	373	411	451	491	530	570	619	660	739	968	1057			
	42"	267	313	356	401	445	488	530	573	618	671	714	801	1039	1135			
	48"	284	333	380	429	476	524	570	618	665	723	770	864	1108	1213			
	54"	299	353	405	456	509	559	611	662	713	773	825	928	1179	1292			
	60"	315	374	429	485	540	594	650	705	760	825	880	990	1250	1369			
	66"	332	394	453	513	571	632	690	750	808	876	935	1053	1319	1447			
	72"	349	414	477	540	604	666	729	794	855	928	990	1117	1390	1526			
	78"	364	433	501	568	635	702	770	835	903	977	1045	1179	1459	1604			
	84"	380	455	525	595	666	738	808	879	949	1030	1101	1242	1530	1682			
	90"	397	475	549	623	699	774	849	922	997	1081	1156	1306	1601	1759			
	96"	411	495	572	652	730	809	888	967	1044	1132	1211	1368	1670	1838			
	108"	446	536	621	707	795	880	967	1054	1140	1234	1321	1495	1811	1993			
	120"	477	575	670	762	858	953	1045	1140	1234	1338	1432	1620	1952	2149			
	132"	511	616	717	821	921	1023	1126	1228	1329	1441	1542	1746	2092	2306			
144"	542	656	766	876	986	1095	1205	1315	1425	1543	1653	1873	2230	2461				

Group 11		E Screen Koolblack 1% & 3% (122")											(Fabric Width)		
Width to:		25"	31"	37"	43"	49"	55"	61"	67"	73"	79"	85"	97"	108"	120"
Length to:	36"	276	325	372	418	463	510	556	600	647	702	748	840	1081	1183
	42"	297	350	401	451	502	553	605	653	704	765	815	916	1164	1278
	48"	315	375	429	485	540	595	651	706	761	826	881	993	1251	1371
	54"	336	399	458	518	580	639	699	758	820	888	947	1068	1336	1466
	60"	354	423	488	552	617	681	747	811	877	949	1015	1144	1419	1558
	66"	375	447	516	586	656	725	795	864	934	1012	1081	1221	1504	1653
	72"	394	472	545	619	693	769	842	916	990	1074	1148	1296	1588	1746
	78"	414	495	573	653	732	810	890	969	1048	1135	1214	1372	1673	1841
	84"	433	519	605	687	771	854	939	1021	1105	1198	1281	1447	1758	1935
	90"	453	543	633	721	809	896	986	1074	1161	1259	1347	1525	1842	2029
	96"	473	568	662	754	848	941	1034	1126	1220	1321	1415	1601	1928	2123
	108"	512	617	719	822	923	1026	1129	1231	1334	1445	1547	1752	2096	2311
	120"	551	665	778	889	1000	1113	1225	1337	1447	1568	1680	1904	2266	2499
	132"	590	714	835	956	1078	1199	1320	1442	1562	1692	1814	2056	2434	2687
144"	629	761	893	1023	1155	1284	1416	1545	1677	1817	1946	2206	2603	2875	

Any product to the right or below dark line will manufacture with heavy duty clutch & tube. Any product in gray shaded area will require seam (not all fabrics can be seamed, check with customer service). Any orders with a product over 90" width will have an additional oversized fee. See full shipping policy for details.

Automate Motorization

AUTOMATE | ARC™ (Automate Radio Communication) motors offer a wire free or wired motorization option that is an easy to use and program solution to suit a large range of applications, with varying torques and speed levels.

Features include:

- Automate motorization available in rechargeable Li-ion battery, DC wired and AC wired options
- Simple limit setting and adjustment
- 3 operational speed settings available
- Favorite position
- 2-way RF communication
- 5-year motor warranty



Lithium-Ion Battery Motorization

AUTOMATE | Li-ion ARC motors offer a wire free, rechargeable, easy to use and program solution. Automate motors feature a charge-management circuit that adjusts the amount of electrical current feeding the battery. As a battery reaches its maximum charge, the circuit will limit the current eventually shutting off power once the battery is fully charged.

- Rechargeable built-in Li-ion battery with up to 500 up and down cycles per charge. These numbers are impacted by shade size and fabric, but on average size shades are able to last about a year and half under normal operation (one cycle per day).
- Minimum Widths:
 - LI-ION 1.1nm 21.5"
 - LI-ION 2.0nm 30"
 - LI-ION 3.0nm 34"
- Maximum sizes. Please note sizes listed are based on average and can vary based on fabric:
 - LI-ION 1.1nm 84" x 84"
 - LI-ION 2.0nm 108" x 120"
 - LI-ION 3.0nm 118" x 144"

Automate ARC Li-ion Motors:

• LI-ION 1.1nm DCQRF	\$423	Retail
• LI-ION 2.0nm DCQRF	\$549	Retail
• LI-ION 3.0nm DCQRF	\$869	Retail
• 12v Standard Wall Charger	\$88	Retail
• 5v Magnetic Charger (expect longer charge time of 9-12 hours)	\$88	Retail
• 8" Charger Cable Extender	\$18	Retail
• 48" Charger Cable Extender	\$37	Retail
• Battery Tube Only (DCRF Motors Only) requires 8 AA batteries – lithium recommended	\$116	Retail
• 8 Lithium Batteries for Battery Tube	\$112	Retail
• Solar Panel	\$304	Retail

DC Low Voltage Motorization

Automate DC motors offer a wired option power option for both residential and light commercial projects. Connected using low voltage cables this motor also allows a lower installation cost since a certified electrician is not required for set-up.

- Minimum Widths:
 - 1.1nm 17"
 - 2.0nm 22"
- Maximum sizes. Please note sizes listed are based on average and can vary based on fabric:
 - 1.1nm 84" x 84"
 - 2.0nm 108" x 120"

Automate DC Motors:

• 1.1nm DCQRF	\$423	Retail
• 2.0nm DCQRF	\$549	Retail
• 12v DC Plugin Power Supply (single DC motor)	\$93	Retail
• 12v DC Power Panel (up to 18 DC motors)	\$757	Retail
• 12v DC Connection Harness	\$14	Retail

AC Line Voltage Motorization

Automate AC motors are a wired power option for large windows and larger commercial applications.

- Minimum width: 34"
- Maximum size based on average and can vary based on fabric: 120" x 144"

Automate ARC AC Motors:

• ACRF	\$902	Retail
--------	-------	--------

Automate Wireless Controls

Compatible with all ARC motors above. Remotes and switches feature a contemporary design with touch sensitive controls.

- Controls include 3 remote styles and 3 cut in wall switches
- Optional Automate Pulse Hub with Wi-Fi built in can be used control shades with most smart devices and some home automation systems. A local wireless network will be required.

Automate Remote Control:

• Push 5 Remote – Available in White or Black	\$218	Retail
• Push 15 Remote – Available in White or Black	\$250	Retail
• Push Pro Remote (30 Channels) – Available in White or Black	\$524	Retail
• Push Pro Charging Cable	\$11	Retail
• 1 Channel Remote	\$214	Retail
• 1 Channel Cut in Wall Switch	\$166	Retail
• 2 Channel Cut in Wall Switch	\$228	Retail
• 15 Channel Cut in Wall Switch	\$212	Retail
• Automate Pro Hub	\$696	Retail
• Automate Interior Sun Sensor	\$88	Retail

Basics Motorization

BASICS AUTOMATE | ARC™ (Automate Radio Communication) motors offer an entry level, wire free rechargeable option for simple motorization needs.



Features and Notes:

- Only available in a 1.1 NM motor
- Can only be operated using the 5 Channel BASICS Remote
- Does not integrate with the Pulse 2 Hub
- Simple limit setting and adjustment
- 2-way RF communication
- 3-year motor warranty

BASICS Lithium-Ion Battery Wire Free Motorization

BASICS AUTOMATE | Li-ion ARC motors offer a wire free, rechargeable, easy to use and program solution. Automate motors feature a charge-management circuit that adjusts the amount of electrical current feeding the battery. As a battery reaches its maximum charge, the circuit will limit the current eventually shutting off power once the battery is fully charged.

- Rechargeable built-in Li-ion battery with up to 500 up and down cycles per charge. These numbers are impacted by shade size and fabric weight, but on average our motors in prevalent size shades are able to last about a year and half under normal operation (one cycle per day).
- Minimum Widths: Basics LI-ION 1.1nm 21"
- Maximum sizes. 84" x 84" Please note sizes listed are based on average and can vary based on fabric:

BASICS Automate Li-ion Options:

• BASICS Automate LI-ION 1.1nm	\$215	Retail
• Wall Charger	\$92	Retail
• 5 Channel Remote	\$52	Retail
• Solar Panel	\$304	Retail

Warranty

CACO, Inc. will extend a limited lifetime warranty on Serenity Roller Shade clutches not to exceed 25 years, 3 years on chain for roller shade operation, a limited lifetime warranty on interior use Textstyle fabrics not to exceed 25 years, a limited 10 year warranty on interior use Mermet Fabrics, a limited 5 year warranty on interior use vinyl fabrics and BASICS Automate motors provide a limited 3 year warranty, Rollease Acmeda Automate motors provide a limited 5 year warranty on battery motors and a limited 7 year warranty on direct wired motors. Each shade is warranted to be free from defects in materials and workmanship to the original owner, provided that the shades were properly installed in a window, door or other interior area for which they intended, maintained and cleaned with the manufacturer recommendations.

Damage resulting from misuse, abuse, exposure to the elements, including but not limited to exposure to salty air, discoloration due to sunlight or passage of time, exposure to humidity, accidents, the use of steam, bleach, or any caustic abrasive, or solvent based cleaners, improper installation, alterations or normal wear and tear upon the shades are not covered by this warranty. Some fading or reduction in color intensity may occur and should not be deemed defective. Returns for the above-mentioned reasons are not warranted.

The obligation of CACO's manufactured products and its distributors is limited to repair or replacement of the shades or components found to be defective, at our option, provided the shades are returned to an authorized CACO dealer or distributor and accompanied by "proof of purchase CACO is not responsible for any shipping or labor costs associated for measuring, removing and re-installing blind from installed windows or fabricating alterations.

This warranty is exclusive and in lieu of all other obligations, liabilities, or warranties. In no event shall CACO be liable or responsible for incidental or consequential damages, or for any other direct or indirect damage, loss, cost, expense, or fee. Some states do not allow the exclusion or limitations of incidental or consequential damages, so this limitation may not apply to you. This warranty gives you specific rights, and you may also have other rights, which vary from state to state.

Delta Woods – Pricing

2" Delta Woods Painted

3600-White		3413-Snow White			3421-Almost White		3401-Alabaster							
Width to:		21	24	29	32	36	42	48	54	60	66	72	78	84
Length to:	30	191	216	247	266	284	307	324	349	462	476	488	545	604
	36	216	241	270	291	308	334	360	391	510	533	542	603	662
	42	233	263	299	315	337	371	393	435	559	572	603	667	735
	48	244	271	322	344	364	398	434	471	607	638	664	737	811
	54	268	301	349	372	391	435	468	521	652	697	735	811	889
	61	292	324	373	398	422	465	506	565	697	754	790	873	957
	66	312	351	400	424	450	495	554	613	759	811	860	949	1038
	73	341	380	422	450	484	534	596	659	814	860	943	1003	1099
	78	372	419	460	493	521	588	654	713	850	943	1058	1141	1243
	84	405	455	502	532	565	644	718	788	948	1058	1113	1272	1394

2 1/2" Delta Woods Painted

W600-White		W413-Snow White			W421-Almost White		W401-Alabaster							
Width to:		21	24	29	32	36	42	48	54	60	66	72	78	84
Length to:	30	215	243	279	300	320	347	364	393	516	534	548	613	681
	36	243	269	304	328	349	379	405	445	571	596	610	680	750
	42	263	292	337	355	380	419	448	493	631	646	680	755	832
	48	273	307	362	390	414	450	492	537	685	720	751	835	920
	54	301	341	393	421	445	493	530	591	736	788	832	920	1010
	61	329	364	422	450	480	529	573	643	788	855	896	993	1090
	66	351	395	452	482	511	565	630	695	860	920	974	1079	1182
	73	384	431	480	511	549	610	679	752	923	974	1071	1141	1250
	78	421	474	522	562	591	669	747	814	962	1071	1202	1296	1415
	84	463	521	568	606	643	735	820	898	1075	1202	1265	1449	1590

2" Delta Woods Stained

3406-Natural		3407-Maple		3410-Golden Oak		3402-Rosewood			3412-Mahogany		3604-Walnut		3901-Chocolate		7419-Black	
Width to:		21	24	29	32	36	42	48	54	60	66	72	78	84		
Length to:	30	197	223	263	279	300	322	344	364	484	496	511	572	631		
	36	225	252	286	307	323	354	379	413	536	556	570	630	695		
	42	242	269	312	332	355	389	417	455	589	604	631	703	772		
	48	263	291	337	361	388	421	453	502	638	670	698	775	857		
	54	284	315	367	390	414	455	494	548	683	736	772	856	942		
	61	307	344	391	421	448	493	534	594	735	790	833	922	1010		
	66	328	371	422	449	480	524	585	646	796	860	907	1001	1094		
	73	354	398	448	480	505	567	631	698	860	907	957	1059	1161		
	78	389	439	486	516	549	620	693	752	894	994	1091	1200	1310		
	84	427	486	530	564	594	681	764	829	1003	1113	1218	1346	1473		

Standard Features

- Valance, slat and bottom rail from hand selected kiln dried hardwood
- Deco crown valance
- Trapezoid bottom rail
- Color coordinated components, ladders
- Durable 2" x 2" steel headrail
- Limited Lifetime Warranty
- Standard valance returns for outside mount installation 2 3/4"
- Wand tilt-only

Optional Items

- Valance returns for inside mount installation no charge when requested
- Motorized tilt feature see page 12
- Extra valance \$15.00 per ft retail
- Cut outs per side or center \$20.00 surcharge
- Fire retardant finish is available by quotation

Special Notes

- Blind ladder are color coordinated, but inner lift cord is white.
- Valance measurements are from inside miter to inside miter
- Standard valance returns for O.M installation 2 3/4"
- Smallest return size is 1/2"
- Allowances:
Blind width (i.m./i.b.) 1/2"
Blind width (o.m./o.b.) exact
Blind length (i.m./i.b.) +/- 1/8"
- Single Blinds only, no multiple blinds on one headrail

Cordless Size Limitations

- Minimum width 14.5" O.M.
- Maximum width 84"
- Minimum length 24"
- Maximum length 84"

Tilt Only Size Limitations**

- Minimum width 7.5" O.M.
- Maximum width 14.375" O.M.
- Minimum length 24"
- Maximum length 84"

**Warning: To be compliant with the ANSI/WCMA A100.1-2022 Window Covering Standard Delta Wood Tilt Only Blinds must be installed using all hardware and components including holddown brackets provided with this product and properly installed according to instructions provided in the blind package.

2 Ladder	8 1/2"-36
3 Ladder	36 1/8"-58"
4 Ladder	58 1/8"-84"
5 Ladder	84 1/8"-108"

Braided Ladder	
12"	4"
24"	5"
36"	5 7/8"
48"	6 3/4"
60"	7 5/8"
72"	8 1/2"
84"	9 5/8"
96"	10 1/4"
108"	11 3/8"
120"	12 1/4"

Wand Length	Blind Length
12"	< 26"
24"	26 1/8" – 60"
36"	60 1/8" – 78"
48"	> 78 1/8"

Delta Woods – Motorization

Tilt Motorization

AUTOMATE | ARC™ (Automate Radio Communication) motors offer a wire free or wired motorization option that is an easy to use and program solution to suit a large range of applications, with varying torques and speed levels.



Features include:

- Automate tilt motorization available
- Leveling control
- Simple limit setting and adjustment
- 3 operational speed settings available
- Favorite position
- 2-way RF communication
- 5-year motor warranty

Automate ARC Li-ion Motors:

- | | |
|---|--------------|
| • VT 1.0 Tilt DC motor (including battery wand and batteries) | Retail \$530 |
| • VT 1.0 Tilt DC motor only | \$331 |

Optional Power Supply:

- | | |
|------------------------------------|-------|
| • Plug in Power Supply | \$91 |
| • Li-ion Rechargeable Battery Pack | \$264 |
| • 12 V Wall Charger | \$86 |

Lithium Ion Battery Wire Free Motorization

AUTOMATE™ | ARC™ Venetian blind motor enables motorized tilting function of most 2" venetian blinds. Precisely control the openness of blind slats or simply recall a favorite position.

- Rechargeable battery pack with Li-ion battery
- Minimum Widths 18"
- Maximum sizes.
2" Delta Wood Blinds 54 sq. ft.

Automate Remote Control:

- | | |
|---|--------------|
| • Push 5 Remote – Available in White or Black | Retail \$218 |
| • Push 15 Remote – Available in White or Black | \$250 |
| • Push Pro Remote – Available in White or Black | \$524 |
| • Push Pro Charging Cable | \$11 |
| • 1 Channel Remote | \$214 |
| • 1 Channel Cut in Wall Switch | \$166 |
| • 2 Channel Cut in Wall Switch | \$288 |
| • 15 Channel Cut in Wall Switch | \$212 |
| • Automate Pro Hub | \$696 |
| • Automate Interior Sun Sensor | \$88 |

Wireless Controls

Automate | Compatible with all ARC motors, Paradigm remotes and switches feature a contemporary design with touch sensitive controls.

- Controls include 3 remote styles and 3 cut in wall switches
- Optional Automate Pulse Hub with Wi-Fi built in can be used control blinds with most smart devices and some home automation systems. A local wireless network will be required.

Delta Woods – Warranty

CACO, Inc. will extend a limited lifetime warranty on Delta Woods, a limited lifetime warranty on the head rail and components for Delta Woods; a limited 3-year warranty on Delta Woods operating cords, valance, slats and bottom rail; Rollease Acmeda 2" Tilt Motor has a limited 7 year warranty.

Each blind is warranted to be free from defects in materials and workmanship to the original owner and limited to manually operated products only, provided that the blinds were: 1.) Installed in a residential dwelling. 2.) Properly installed in accordance with the installation instructions which accompany each blind to be installed in a window, door or other interior area for which they were intended. 3.) Maintained and cleaned in compliance with the manufacturer's recommendations.

Damage resulting from misuse, abuse, exposure to the elements, including but not limited to exposure to salty air, discoloration due to sunlight or passage of time, exposure to humidity, accidents, the use of steam, bleach, or any caustic abrasive, or solvent based cleaners, alterations, improper installation or normal wear and tear upon the blinds are not covered by this warranty. Cord wear shall be considered as normal wear and tear. Some minor warping, natural variations in the grain, color, fading or discoloration may occur within time (these are considered part of the aging process for wood painted, stained and clear finishes) and should not be deemed defective. Returns for the above-mentioned reasons are not warranted.

The obligation of CACO's manufactured products and its distributors is limited to repair or replacement of the blinds or components found to be defective, at our option, provided the blinds are returned to an authorized CACO dealer or distributor and accompanied by "proof of purchase". CACO is not responsible for any shipping or labor costs associated for measuring, removing and re-installing blind from installed windows or fabricating alterations.

This warranty is exclusive and in lieu of all other obligations, liabilities, or warranties. In no event shall CACO be liable or responsible for incidental or consequential damages, or for any other direct or indirect damage, loss, cost, expense or fee. This warranty gives you specific rights, and you may also have other rights, which vary from state to state.

Avalon Faux Wood

2" Faux Wood - Whites

FW-01 Bright White		FW-02 Snow White					FW-03 Antique White				FW-04 Alabaster			
EFW-01 Embossed Bright White		EFW-02 Embossed Snow White					EFW-03 Embossed Antique White				EFW-04 Embossed Alabaster			
Width to:	21	24	29	32	36	42	48	54	60	66	72	78	84	
Length to:	30	148	160	166	181	192	210	219	234	290	316	351	365	378
	36	160	166	181	196	209	228	242	258	314	340	376	402	425
	42	165	181	196	209	216	242	260	277	328	358	400	428	458
	48	181	193	209	216	231	258	277	295	350	386	425	457	484
	54	191	206	216	231	247	275	295	310	376	406	448	483	517
	61	196	212	228	243	262	283	310	328	389	429	476	511	545
	66	209	219	242	260	277	304	324	346	411	471	499	538	576
	73	218	233	251	271	287	317	339	366	432	476	527	570	608
	78	228	243	264	282	299	336	363	384	457	498	551	593	633
	84	233	249	270	288	311	343	370	396	464	510	566	610	654
	96	271	294	322	335	371	412	481	509	579				

2 1/2" Faux Wood

FW-01 Bright White		FW-02 Snow White				FW-03 Antique White			FW-04 Alabaster					
Width to:	21	24	29	32	36	42	48	54	60	66	72	78	84	
Length to:	30	154	162	172	186	195	213	227	242	298	320	357	373	387
	36	162	172	186	206	212	233	247	264	319	348	386	409	437
	42	170	186	206	212	225	247	265	282	337	370	406	439	466
	48	186	196	212	225	236	264	282	300	356	398	437	465	496
	54	194	210	225	236	253	280	300	315	386	419	461	493	527
	61	206	216	233	248	267	292	315	336	400	440	489	524	559
	66	212	227	247	266	282	313	334	357	423	484	514	550	589
	73	226	237	259	279	295	328	347	376	441	489	543	584	628
	78	233	248	270	288	310	345	370	395	465	511	568	608	646
	84	237	258	278	297	316	353	381	404	476	522	579	629	669

2" Faux Wood - Colors

FW-26 Slate			FW-28 Smoke											
EFW-06 Embossed Birch			EFW-07 Embossed Maple				EFW-08 Embossed Cherry			EFW-09 Embossed Mahogany				
Width to:	21	24	29	32	36	42	48	54	60	66	72	78	84	
Length to:	30	164	172	188	199	212	233	245	262	319	349	386	402	423
	36	172	188	199	219	229	257	267	287	348	374	421	443	475
	42	186	199	219	229	240	267	289	310	365	400	441	477	509
	48	199	214	229	240	259	287	310	330	385	428	475	506	541
	54	210	226	240	259	275	308	330	343	421	452	500	538	575
	61	219	236	257	270	292	316	343	366	432	481	532	570	608
	66	229	245	267	289	310	340	363	389	457	525	555	603	640
	73	243	260	280	307	322	358	383	410	482	532	587	636	679
	78	257	270	293	315	336	378	404	432	506	554	616	661	718
	84	260	279	298	323	345	385	416	444	515	569	632	681	734
	96	305	328	349	371	404	455	535	569	635				

2" Faux Wood Premium Printed

PFW-351 Natural			PFW-353 Pecan			PFW-354 Oak			PFW-356 Chestnut			PFW-357 Mahogany		
Width to:	21	24	29	32	36	42	48	54	60	66	72	78	84	
Length to:	30	172	184	196	212	225	243	259	279	335	367	406	425	443
	36	184	196	212	233	242	268	283	305	366	395	442	471	498
	42	195	212	233	242	257	283	307	325	383	422	465	501	538
	48	212	226	242	257	273	305	325	349	403	453	498	536	571
	54	223	237	257	273	290	324	349	363	442	479	530	570	610
	61	233	252	268	285	311	336	363	389	457	508	562	604	642
	66	242	259	283	307	325	360	386	413	483	555	590	636	681
	73	258	278	296	323	341	379	403	438	509	562	626	676	724
	78	268	285	312	335	356	401	430	457	536	587	657	703	750
	84	278	293	321	343	366	409	442	472	547	603	668	725	779
	96	330	337	387	399	430	484	580	598	686				

Avalon Faux Wood Features

Standard Features

- Valance, slat and bottom rail are manufactured from space age PVC foam along UV inhibitors to provide longer color fastness with a UV rating of 500+ hours
- Flame retardant (meets NFPA small scale flame test)
- Moisture, heat and fade resistant
- Slats are solid color all the way through
- 2" Designer whites in both smooth and embossed finishes along with optional wood stain finishes;
- 2 1/2" available in smooth white finishes only
- Rectangle Bottom rail
- Color coordinated components, ladders and wands
- Durable 2" x 2" steel headrail
- Wand tilt only
- Limited Lifetime Warranty

Optional items

- Valance returns for inside mount installation n/c when requested
- Motorized tilt feature
- Cut outs per side or center \$19.50
- Extra valance material \$8.00 per foot retail

Special Notes

- Blind ladder will be color coordinated, but inner lift cord will be white.
- Standard valance returns for outside mount installation 2 3/4"
- Valance measurements are from inside miter to inside miter
- Smallest return size is 1/2"
- Single Blinds only, no multiple blinds on one headrail
- Allowances Blind width inside mount 1/2", length +/- 1/8"

Cordless Size Limitations

- Minimum width 14.5" O.M.
- Maximum width 84"
- Minimum length 24"
- Maximum length 96"
- Maximum single blind 84" Length - 84" x 84"
- 96" Length - 60" x 96"

Tilt Only** Size Limitations

- Minimum width 7.5" O.M.
- Maximum width 14.375" O.M.
- Minimum length 24"
- Maximum length 96"

**Warning: To be compliant with the ANSI/WCMA A100.1-2022 Window Covering Standard Avalon Tilt Only Blinds must be installed using all hardware and components including holddown brackets provided with this product and properly installed according to instructions provided in the blind package.

Stacking Chart (these are approximate measurements)	
	Braided Ladder
12"	4"
24"	5"
36"	5 7/8"
48"	6 3/4"
60"	7 5/8"
72"	8 1/2"
84"	9 5/8"
96"	10 1/4"

Wand Schedule	
Wand Length	Blind Length
12"	< 26"
24"	26 1/8" - 60"
36"	60 1/8" - 78"
48"	> 78 1/8"
60"	By request only

Ladder/Tape Schedule	
2 Ladder	9"-23"
3 Ladder	23 1/8"-36"
4 Ladder	36"-49"
5 Ladder	49 1/8"-62"
6 Ladder	62 1/8"-75"
7 Ladder	75 1/8"-88"
8 Ladder	88 1/8"-101"

Tilt Motorization

AUTOMATE | ARC™ (Automate Radio Communication) motors offer a wire free or wired motorization option that is an easy to use and program solution to suit a large range of applications, with varying torques and speed levels.



Features include:

- Automate tilt motorization available
- Leveling control
- Simple limit setting and adjustment
- 3 operational speed settings available
- Favorite position
- 2-way RF communication
- 5-year motor warranty

Lithium Ion Battery Wire Free Motorization

AUTOMATE™ | ARC™ Venetian blind motor enables motorized tilting function of most 2" venetian blinds. Precisely control the openness of blind slats or simply recall a favorite position.

- Rechargeable battery pack with Li-ion battery
- Minimum Widths 18"
- Maximum sizes.
2" Avalon Faux Wood Blinds 36 sq. ft.

Automate ARC Li-ion Motors:

- VT 1.0 Tilt DC motor (including battery wand and batteries) \$530
- VT 1.0 Tilt DC motor only \$331

Optional Power Supply:

- Plug in Power Supply \$91
- Li-ion Rechargeable Battery Pack \$264
- 12 V Wall Charger \$89

Automate Remote Control:

- Push 5 Remote - Available in White or Black \$218
- Push 15 Remote - Available in White or Black \$250
- Push Pro Remote - Available in White or Black \$524
- Push Pro Charging Cable \$11
- 1 Channel Remote \$214
- 1 Channel Cut in Wall Switch \$166
- 2 Channel Cut in Wall Switch \$288
- 15 Channel Cut in Wall Switch \$212
- Automate Pro Hub \$696
- Automate Interior Sun Sensor \$88

Wireless Controls

Automate | Compatible with all ARC motors, Paradigm remotes and switches feature a contemporary design with touch sensitive controls.

- Controls include 3 remote styles and 3 cut in wall switches
- Optional Automate Pulse Hub with Wi-Fi built in can be used to control blinds with most smart devices and some home automation systems. A local wireless network will be required.

Avalon Faux Wood Warranty

CACO, Inc. will extend a limited lifetime warranty on Avalon Faux Wood, a limited lifetime warranty on the head rail and components for Avalon Faux Wood; a limited 3-year warranty on Avalon Faux Wood operating cords, valance, slats and bottom rail; Rollease Acmeda 2" Tilt Motor has a limited 7 year warranty.

Each blind is warranted to be free from defects in materials and workmanship to the original owner and limited to manually operated products only, provided that the blinds were: 1.) Installed in a residential dwelling. 2.) Properly installed in accordance with the installation instructions which accompany each blind to be installed in a window, door or other interior area for which they were intended. 3.) Maintained and cleaned in compliance with the manufacturer's recommendations.

Damage resulting from misuse, abuse, exposure to the elements, including but not limited to exposure to salty air, discoloration due to sunlight or passage of time, exposure to humidity, accidents, the use of steam, bleach, or any caustic abrasive, or solvent based cleaners, alterations or normal wear and tear upon the blinds are not covered by this warranty. Cord wear shall be considered as normal wear and tear. Avalon Faux Wood blinds are manufactured with PVC foam and contain no lead additives. Variations in grain and texture may appear randomly in slats, valance and bottom rail. Slight variations in color, as well as minimal warping may also occur. These are all natural occurring tendencies when dealing with PVC foam products and are considered acceptable. Returns for the above-mentioned reasons are not warranted.

The obligation of CACO's manufactured products and its distributors is limited to repair or replacement of the blinds or components found to be defective, at our option, provided the blinds are returned to an authorized CACO dealer or distributor and accompanied by "proof of purchase". CACO is not responsible for any shipping or labor costs associated for measuring, removing and re-installing blind from installed windows or fabricating alterations.

This warranty is exclusive and in lieu of all other obligations, liabilities, or warranties. In no event shall CACO be liable or responsible for incidental or consequential damages, or for any other direct or indirect damage, loss, cost, expense or fee. This warranty gives you specific rights, and you may also have other rights, which vary from state to state.

Cordless Fast Faux

Standard Features

- Available in two styles: Custom or Express
- 2" Steel "low-profile" head rail
- 2" PVC foam standard rectangular bottom rail
- 2" Flat PVC foam 3mm slats (500 hour)
- 3 1/4" Crown PVC foam valance with groove for hidden plastic installation clip
- Single blinds only (no 2 or 3 under one head rail) multiple blinds must be butted together
- Custom returns available
- Allowances Blind width inside mount
- Easy operating wand tilter
- Braided ladder is 44mm
- Steel box brackets have a hinged face
- Standard controls only -tilt left
- All standard freight policies apply
- Blinds may raise up to 1" when completely lowered
- When blinds are completely raised the stack may drop up to 3"
- 1-Year limited warranty on head rail and components.
- 5 -year limited warranty on valance, slats and bottom rail.

Specification	Custom Cordless Fast Faux	Express Cordless Fast Faux
Customize Width	Yes	Yes
Custom Length	Yes	No
Available Colors	FF02 White & FF03 Antique white	FF02 White only
Minimum Width	18"	18"
Minimum Length	36"	48"
Maximum Width	72"	72"
Maximum Length	72" (FF02 Antique White) or 84" (FF02 White Only)	84"
Custom Returns	No charge	\$8.85 retail

2" Custom Cordless Fast Faux

FF02 White		FF03 Antique White									
Width to:	24	28	32	36	42	48	54	60	66	72	
Length to:	48	142	152	155	167	194	202	232	249	267	300
	54	145	154	165	180	200	231	258	273	306	343
	60	153	159	172	194	215	236				
	66	155	167	182	208	232	264	286	310	343	387
	72	162	178	204	217	244					
	84*	182	199	229	246	303	325	N/A	N/A	N/A	N/A

* 84" only available in FF02 White

Options and Surcharges

- Customize width and length
- Custom returns at no charge
- Common valance \$7.55 per foot retail price

2" Express Cordless Fast Faux

FF02 White											
Width to:	24	28	32	36	42	48	54	60	66	72	
Length:	48	128	136	139	152	176	191	209	226	241	270
	54	130	138	148	162	180	208	N/A	N/A	N/A	N/A
	60	137	142	155	176	193	213	232	246	284	321
	66	139	152	163	187	209	N/A	N/A	N/A	N/A	N/A
	72	146	160	182	198	220	242	264	301	340	366
	84	173	189	215	234	288	317	N/A	N/A	N/A	N/A

Options and Surcharges

- Customize width only
- Custom returns \$9.40 retail price
- Common valance \$7.55 per foot retail price

Cordless Fast Faux Warranty

CACO, Inc. will extend a limited lifetime warranty on Cordless Fast Faux, a limited lifetime warranty on the head rail and components for Cordless Fast Faux; a limited 3-year warranty on Cordless Fast Faux operating cords, valance, slats and bottom rail.

Each blind is warranted to be free from defects in materials and workmanship to the original owner and limited to manually operated products only, provided that the blinds were: 1.) Installed in a residential dwelling. 2.) Properly installed in accordance with the installation instructions which accompany each blind to be installed in a window, door or other interior area for which they were intended. 3.) Maintained and cleaned in compliance with the manufacturer's recommendations.

Damage resulting from misuse, abuse, exposure to the elements, including but not limited to exposure to salty air, discoloration due to sunlight or passage of time, exposure to humidity, accidents, the use of steam, bleach, or any caustic abrasive, or solvent based cleaners, alterations or normal wear and tear upon the blinds are not covered by this warranty. Cord wear shall be considered as normal wear and tear. Cordless Fast Faux blinds are manufactured with PVC foam and contain no lead additives. Variations in grain and texture may appear randomly in slats, valance and bottom rail. Slight variations in color, as well as minimal warping may also occur. These are all natural occurring tendencies when dealing with PVC foam products and are considered acceptable. Returns for the above-mentioned reasons are not warranted.

The obligation of CACO's manufactured products and its distributors is limited to repair or replacement of the blinds or components found to be defective, at our option, provided the blinds are returned to an authorized CACO dealer or distributor and accompanied by "proof of purchase". CACO is not responsible for any shipping or labor costs associated for measuring, removing and re-installing blind from installed windows or fabricating alterations.

This warranty is exclusive and in lieu of all other obligations, liabilities, or warranties. In no event shall CACO be liable or responsible for incidental or consequential damages, or for any other direct or indirect damage, loss, cost, expense or fee. This warranty gives you specific rights, and you may also have other rights, which vary from state to state.

Available Aluminum Slat Colors & Limitations

1" Mini (6 gauge)	
014	Matte White
018	White
651	Simple White
652	Ivory
189	Artic Ice
665	Almost White
112	Light Alabaster
636	Vanilla
017	Alabaster
631	Fawn
611	Beige Satin
502	Wisteria
255	Garnet Red
566	Light Aqua
027	Federal Blue
259	True Blue
178	Imperial Jade
091	Transparent Aluminum
569	Gray AZ
693	Gray Sheen
626	Smokey Gray
662	Char Brown
606	Raw Umber
070	Gloss Black
012	Black

1" Mini (8 gauge)	
8014	Matte White
8018	White
8651	Simple White
8652	Ivory
8665	Almost White
8112	Light Alabaster
8631	Fawn
8091	Transparent Aluminum
8569	Gray AZ
8662	Char Brown
8012	Black

2" Aluminum (8 gauge)	
2014	Matte White
2018	White
2665	Almost White
2112	Light Alabaster
2017	Alabaster
2631	Fawn
2091	Transparent Aluminum
2626	Smokey Gray
2606	Raw Umber
2070	Gloss Black

1" Jewel/Metallix (6 gauge)	
302	Brown Gold
673	Umber Bronze
672	Mercury Silver

Micro Mini (6 gauge)	
5014	Matte White
5018	White
5665	Almost White
5017	Alabaster
5631	Fawn
5091	Transparent Aluminum
5626	Smokey Gray
5012	Black

1" Alumiwood (6 gauge)	
754	Oak Wood
755	Walnut Wood

	Mounting Space		Size Limitations			
	Minimum	Flush	Minimum Width	Minimum Length	Maximum Width	Maximum Length
Micro (1/2") Cordless	3/4"	1-3/4"	18"	18"	96"	96"
1" Standard Cordless	3/4"	1-3/4"	18"	18"	72"	96"
1" Premium Cordless	7/8"	2"	24"	18"	92"	72"
1" Simple Touch Wand (installed behind headrail)	7/8"	3-3/4"	24"	12"	118"	120"
1" Simple Touch Wand (installed wall or frame)	7/8"	2-1/4"				
1" Simple Touch Remote (installed behind headrail)	7/8"	3-1/4"				
1" Simple Touch Remote (installed wall or frame)	7/8"	2"				
2" Cordless	1-1/2"	3"	24"	18"	82"	84"

Wand Specification	
Blind Drop	Wand length
= < 25"	12"
25 1/8" - 45"	18"
45 1/8" - 55"	24"
55 1/8" - 65"	30"
65 1/8" - 85"	40"
85 1/8" - 96"	50"

Micro, 1"	
# of hidden brackets	
Blind Width	Hidden Bracket Qty
8" - 36"	2
36 1/8" - 60"	3
60 1/8" - 85"	4
85 1/8" - 105"	5
105 1/8" - 118"	6

2" Blinds -		
# of box brackets & center supports		
Blind Width	Box Bracket qty	Center Support
< 36"	2	0
36" - 72"	2	1

• Standard bracket - box bracket

• Standard bracket - hidden bracket.

Color Coordination Chart

Color Coordination Chart		Slats				Rails, valances, and brackets for different blinds							Ladder
		1"		1/2" (micro)		Standard cordless blinds				Premium cordless & Motorization blinds			
						For micro & 1" blinds		For 2" blinds		For 1" blinds			
		6G	8G	6G	8G	1-1/2" headrail	Box bracket*	2" rails	Box bracket	Headrail	Valance insert	Bottom rail	
Standard Colors	Matte white	014	8014	5014	2014	15018	005	005	005	001	No Insert	018	004
	White	018	8018	5018	2018	15018	005	005	005	001	No Insert	018	004
	Simple White	651	8651	-	-	15018	005	-	-	001	No Insert	018	004
	Ivory	652	8652	-	-	15018	005	-	-	001	No Insert	018	004
	Arctic Ice	189	-	-	2189	15018	005	005	189	001	No Insert	018	004
	Almost White	665	8665	5665	2665	15665	065	065	065	002	No Insert	665	017
	Light Alabaster	112	8112	-	2112	15665	065	065	065	002	No Insert	665	017
	Vanilla	636	-	-	-	15636	100	-	-	002	636	636	017
	Alabaster	017	-	5017	2017	15665	112	112	112	002	No Insert	665	017
	Fawn	631	8631	5631	2631	15631	031	031	031	006	No Insert	631	005
	Beige Satin	611	-	-	-	15611	031	-	-	008	No Insert	611	005
	Wisteria	502	-	-	-	15502	005	-	-	026	502	502	231
	Garnet Red	255	-	-	-	15255	233	-	-	020	255	255	255
	Light Aqua	566	-	-	-	15566	005	-	-	014	566	566	374
	Federal Blue	027	-	-	-	15027	017	-	-	028	027	027	027
	True Blue	259	-	-	-	15259	017	-	-	091	259	259	025
	Imperial Jade	178	-	-	-	15178	061	-	-	091	178	178	178
	Transparent Aluminum	091	8091	5091	2091	15091	034	034	034	091	No Insert	091	022
	Gray AZ	569	8569	-	-	15569	026	-	-	091	No Insert	569	022
	Gray Sheen	693	-	-	-	15569	281	-	-	091	No Insert	693	022
Smoky Gray	626	-	5626	2626	15626	026	026	026	091	626	626	022	
Char Brown	662	8662	-	-	15662	062	-	-	025	No Insert	662	662	
Raw Umber	606	-	-	2606	15012	233	033	233	025	No Insert	012	012	
Gloss Black	070	-	-	2070	15012	233	033	233	025	No Insert	012	012	
Black	012	8012	5012	-	15012	233	-	-	025	No Insert	012	012	
Alumi wood	Oak Wood	754	-	-	-	15754	233	-	-	011	754	754	302
	Walnut Wood	755	-	-	-	15755	233	-	-	012	755	755	007
Metallix & Jewel	Brown Gold Jewel	302	-	-	-	15611	031	-	-	091	302	611	302
	Mercury Silver	672	-	-	-	15091	034	-	-	091	672	091	022
	Umber Bronze	673	-	-	-	15662	233	-	-	012	673	662	662

- The color of the lift cord is white.
- The color of 1-1/2" headrail end cap is clear.
- For the 1-1/2" headrail, the standard mounting bracket is a hidden bracket. A box bracket is available upon request without additional charge.

1" Aluminum

6 Gauge – Standard Colors

Width to:	8"	12"	18"	23"	26"	29"	32"	36"	40"	44"	48"	52"	57"	62"	67"	72"	82"	92"	96"	102"	110"	120"	
Length to:																							
42"	217	173	101	129	135	143	146	156	167	177	186	194	204	213	221	231	243	263	286	265	286	310	
48"	224	180	109	135	143	146	156	167	179	189	194	200	217	224	244	251	263	276	311	292	314	336	
54"	232	188	117	143	146	156	160	179	189	197	204	213	231	244	254	267	276	303	331	312	336	365	
60"	235	191	120	146	156	160	177	189	197	204	213	221	249	254	271	282	299	318	351	333	363	385	
66"	239	195	123	150	160	177	186	197	204	213	224	234	261	271	282	295	315	338	376	360	385	422	
72"	250	206	134	160	167	179	189	200	213	221	231	244	267	275	285	298	331	371	396	381	413	440	
84"	257	213	142	167	179	189	197	210	221	234	249	261	282	295	316	329	348	380	422	408	435	468	
90"	267	223	152	177	186	197	210	217	231	249	261	275	295	316	329	345	348	380	422	420	465	498	
96"	277	233	162	186	194	204	213	231	249	261	275	288	316	332	349	366	371	396	439	425	495	536	
102"	281	237	165	165	178	190	199	223	243	253	271	294	317	341	365	383	430	471	521	521	529	576	
108"	287	243	172	172	184	193	211	235	250	266	286	301	332	360	375	403	443	495	549	549	567	616	
114"	294	250	178	178	190	202	219	243	257	281	298	314	352	372	396	422	471	515	573	573	592	644	
120"	299	255	184	184	199	216	230	250	266	294	310	326	365	385	413	438	491	536	597	597	624	669	

** Light areas inside double line are standard cordless shades. Dark areas outside of double line are only available as tilt only.
 * Any orders with a product over 90" width will have an additional oversized fee. See full shipping policy for details.

8 Gauge

Width to:	8"	12"	18"	23"	26"	29"	32"	36"	40"	44"	48"	52"	57"	62"	67"	72"	82"	92"	96"	102"	110"	120"
Length to:																						
42"	260	207	121	150	157	166	169	182	194	205	217	224	237	249	256	267	271	296	325	318	343	372
48"	270	217	131	157	166	169	182	194	209	23	224	232	252	260	284	292	329	345	356	350	376	403
54"	278	226	140	166	169	182	185	209	221	229	237	249	267	284	295	311	345	378	381	375	403	438
60"	283	230	144	169	182	185	205	221	229	237	249	256	287	295	315	327	374	397	406	400	436	462
66"	286	233	147	174	185	205	217	229	237	249	260	272	304	315	327	342	393	421	437	431	462	507
72"	299	246	161	185	194	209	221	232	249	256	267	284	311	319	331	347	414	446	468	457	495	528
84"	309	256	171	194	209	221	229	244	256	272	287	304	327	342	366	382	435	470	498	490	521	561
90"	321	268	183	205	217	229	244	252	272	287	304	319	342	366	382	402	455	480	529	504	559	598
96"	332	279	194	217	224	237	249	267	287	304	319	334	366	386	405	425	476	501	560	509	594	642
102"	337	284	198	198	213	229	239	268	292	304	325	352	381	409	438	460	516	565	626	626	635	692
108"	344	292	206	206	220	231	253	283	299	319	343	362	398	431	450	483	532	594	659	659	680	739
114"	352	299	213	213	229	243	263	292	309	337	358	376	422	447	475	507	565	618	688	688	711	772
120"	359	306	220	220	239	259	276	299	319	352	372	391	438	462	495	526	589	642	717	717	748	803

** Light areas inside double line are standard cordless shades. Dark areas outside of double line are only available as tilt only.
 * Any orders with a product over 90" width will have an additional oversized fee. See full shipping policy for details.

Standard Features

- 1" wide .006 gauge slats (standard)
- 1" wide .008 gauge slats (optional)
- 1" X 1-1/2" steel head rail
- Endcap Color Clear
- Color coordinated C-shape bottom rail
- Blind ladder will be color coordinated, but inner lift cord will be white.
- Wand tilt only (clear wand)
- Inside Mount 1/2" deduction
- Hidden Bracket (standard)
- Box Bracket (optional)
- Limited Lifetime Warranty
- For Color availability see page 20

Mounting Space

Size Limitations

- Minimum mounting space is 3/4"
- Minimum flush mount is 1-3/4"

Surcharges

- Metallix/Jewel Color (6 gauge only) - 15%
- AlumiWood Color (6 gauge only) - 45%

Cordless Standard Features

- Standard Cordless Module*
- Left tilt standard

*Please note due to the nature of the standard cordless module additional effort may be required when raising and lowering to maintain a level blind compared to the premium module.

Cordless Size Limitations

- Minimum width 18"
- Maximum width 72"
- Minimum length 18"
- Maximum length 96"

Tilt Only Standard Features

- Left tilt standard on blinds > 12" wide
- Center tilt only for blinds 12" wide or less

**Warning: To be compliant with the ANSI/WCMA A100.1-2022 Window Covering Standard Aluminum Tilt Only Blinds must be installed using all hardware and components including hold-down brackets provided with this product and properly installed according to instructions provided in the blind package.

Tilt Only Size Limitations

- Minimum width 7"
- Maximum width 120"
- Minimum length 18"
- Maximum length 120"



Hidden Bracket (standard)

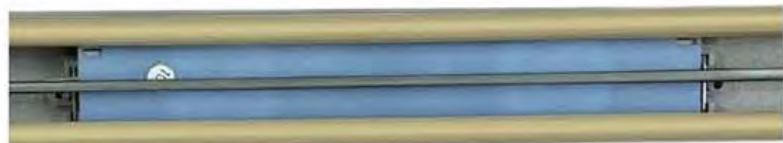


Box Bracket (optional)



Standard Headrail

Standard Cordless Module*



1" Premium Cordless

Premium 6 Gauge – Standard Colors

Width to:	26"	29"	32"	36"	40"	44"	48"	52"	57"	62"	67"	72"	82"	92"
Length to: 42"	171	189	207	232	257	286	314	336	360	387	405	424	459	494
48"	177	194	217	242	271	299	320	342	373	396	428	444	480	506
54"	179	204	221	256	282	307	331	356	387	417	439	461	494	534
60"	189	207	238	266	288	314	341	363	403	427	455	474	516	551
66"	194	224	249	273	295	323	351	376	417	444	466	487	534	570
72"	200	228	251	277	306	331	358	387	424	448	470	491	551	605

Premium 8 Gauge

Width to:	26"	29"	32"	36"	40"	44"	48"	52"	57"	62"	67"	72"	82"	92"
Length to: 42"	204	228	249	279	309	343	376	403	431	463	485	508	551	591
48"	211	232	261	290	325	361	385	411	448	476	514	532	575	608
54"	216	244	264	307	338	369	396	427	463	501	527	553	591	640
60"	228	249	285	319	345	376	408	435	484	512	548	569	619	661
66"	232	268	297	327	353	388	421	451	501	532	559	585	640	685
72"	240	272	301	332	366	396	429	463	508	537	563	590	661	725

* 1" Premium cordless blind is available up to 72" width or 92" length.
 * Blind ladder will be color coordinated, but inner lift cord will be white.

Standard Features

- Premium Cordless Module with self-leveling control
- 1" wide .006 gauge slats (standard)
- 1" wide .008 gauge slats (optional)
- 1-1/2" X 1-3/4" aluminum head rail
- Endcap Color Coordinated
- Color coordinated C-shape bottom rail
- Wand tilt only (clear wand)
- Left tilt standard
- Inside Mount 1/2" deduction
- Hidden Bracket only
- Clear Lift Handle included
- Limited Lifetime Warranty
- For Color availability see page 20

Size Limitations

- Minimum width 23"
- Maximum width 96"
- Minimum length 18"
- Maximum length 72"
- Minimum mounting space is 7/8"
- Minimum flush mount is 2"

Surcharges

- Metallix/Jewel Color (6 gauge only) - 15%
- AluminWood Color (6 gauge only) - 45%



Premium Cordless Headrail



Hidden Bracket



Premium Cordless Module



Lift Handle

1" Motorized

1" Motorized Blinds Base Price – *(For full blind price add motor surcharge to base)*

Width to:	26"	29"	32"	36"	40"	44"	48"	52"	57"	62"	67"	72"	82"	92"	102"	112"	118"
42"	135	143	146	156	167	177	186	194	204	213	221	231	254	275	298	319	342
48"	143	146	156	167	179	189	194	200	217	224	244	251	275	288	325	345	366
54"	146	156	160	179	189	197	204	213	231	244	254	267	288	316	345	366	396
60"	156	160	177	189	197	204	213	221	249	254	271	282	312	332	366	393	417
66"	160	177	186	197	204	213	224	234	261	271	282	295	329	352	393	417	454
72"	167	179	189	200	213	221	231	244	267	275	285	298	345	387	414	444	
78"	179	189	197	210	221	234	249	261	282	295	316	329	363	396	441		
84"	186	197	210	217	231	249	261	275	295	316	329	345	387	414			
90"	194	204	213	231	249	261	275	288	316	332	349	366	403	444			
96"	200	213	221	249	261	275	288	312	339	356	384	396	433	471			
102"	210	221	231	254	275	285	303	325	349	373	396	414	461				
108"	217	224	244	267	282	298	319	332	363	391	406	433	474				
114"	221	234	251	275	288	312	329	345	384	403	427	454					
120"	231	249	261	282	298	325	342	356	396	417	444						

* Any orders with a product over 90" width will have an additional oversized fee. See full shipping policy for details.

Standard Features

- Simple Touch Rechargeable Battery Pack
- 1" wide .006 gauge slats
- 1" X 1-3/4" steel head rail
- Endcap Color Coordinated
- Color coordinated C-shape bottom rail
- Inside Mount 1/2" deduction
- Heavy Duty Brackets & screws provided
- Limited Lifetime Warranty on Blind
- 5 Year Warranty on motors and remote
- For Color availability see page 20

Size Limitations

- Maximum 56 sqft
- Minimum mounting space is 7/8"
- Minimum flush mount Wand Remote:
 - Battery pack installed behind blind 3-3/4"
 - Battery installed on wall/frame 2-1/4"
- Minimum flush mount 15-Channel Remote:
 - Battery pack installed behind blind 3-1/4"
 - Battery installed on wall/frame 2"

Surcharges

- 8 gauge slat - 20% surcharge
- Metallix/Jewel Color - 15% surcharge
- AluminWood Color - 45% surcharge

Simple Touch Wand Features

Size Limitations

- Minimum width 24"
- Maximum width 118"
- Minimum length 18"
- Maximum length 120"
- Wand control will be color coordinated
- Wand is clear and white cord will be visible inside
- Standard length is half of the blind drop
- Minimum Wand Length is 12"
- Maximum Wand Length is 60"
- Control on Right standard
- Wand control only, remote control not available
- Wand will programed with the upper and lower limits

Simple Touch Wireless Remote Features

Size Limitations

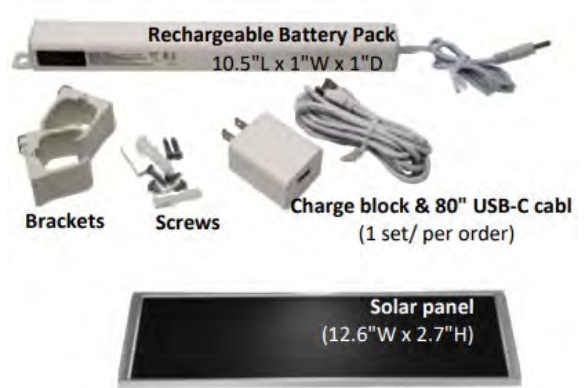
- Minimum width 24"
- Maximum width 118"
- Minimum length 12"
- Maximum length 120"
- 15 Channel Control Available
- At least 1 remote required per order
- Remote will programed with the upper and lower limits, please designate blind channels on your order.
- "0" on the remote will control all blinds as a group

Motor Surcharges

Wand Control Motor + Battery Pack	\$436 Retail
Remote Control Motor + Battery Pack	\$541 Retail

Optional Surcharges

15-Channel Remote (Remote Motor Only)	\$128 Retail
Additional Battery Packs	\$161 Retail
USB Wall Adapter (Power Block+80" USB-C)	\$34 Retail
Power Extension Cord (118")	\$25 Retail
Power Adapter (70")	\$67 Retail
Solar Panel	\$363 Retail



Simple Touch Motor Features

- For pricing add motor surcharge to base
- Power Source – Simple Touch Rechargeable Battery Pack which can be installed behind the headrail, the wall or window frame, however it is intended for indoor use and must be kept away from sunlight. Additionally, the only color available is white.
- 1 USB wall adapter and 80" USB-C charge cord will be provided with each order.
- Battery Pack can also be powered directly from a wall plug by using the power adapter, instead of recharging the battery pack.
- Optional solar panel available.
- Blind will automatically be programed with the upper and lower limits

2" Aluminum

2" Standard

Width to:	12"	24"	26"	29"	32"	36"	40"	44"	48"	52"	57"	62"	67"	72"	82"	92"	96"	102"	110"	120"	
Length to:	42"	243	172	199	224	255	279	301	325	348	362	398	416	441	461	506	558	615	587	648	714
	48"	253	182	209	238	271	296	319	340	359	381	419	441	465	490	534	582	635	607	664	727
	54"	264	193	220	252	281	308	331	359	374	399	438	466	491	516	565	622	680	652	717	788
	60"	275	204	231	261	296	321	349	373	395	421	461	486	515	540	592	652	714	686	757	834
	66"	285	213	241	276	305	337	363	386	416	438	480	508	537	565	619	680	745	717	795	866
	72"	297	226	253	281	317	349	376	405	431	455	501	534	562	591	649	717	789	761	835	898
	84"	317	245	273	306	344	376	406	437	465	494	543	576	611	640	680	722	767	792	837	913
	96"	322	251	278	312	350	383	414	444	474	504	553	590	624	655	693	802	850	823	875	930
	108"	382	310	310	350	392	430	463	497	531	565	622	659	699	735	779	899	954	926	983	1044
	120"	398	327	327	373	419	463	501	540	579	617	681	725	769	810	860	997	1060	1060	1123	1194

** Light areas inside double line are standard cordless shades. Dark areas outside of double line are only available as tilt only.

* Any orders with a product over 90" width will have an additional oversized fee. See full shipping policy for details.

2" Standard with Cloth Tape

Width to:	12"	24"	26"	29"	32"	36"	40"	44"	48"	52"	57"	62"	67"	72"	82"	92"	96"	102"	110"	120"	
Length to:	42"	273	201	229	257	294	322	347	373	399	416	458	479	508	529	581	642	706	679	748	825
	48"	284	212	240	273	310	340	366	392	413	438	483	508	536	563	613	670	730	703	769	840
	54"	297	226	253	290	323	354	381	413	430	459	503	537	564	594	650	714	782	755	829	910
	60"	310	239	266	299	340	370	402	429	455	485	529	559	592	622	680	749	821	793	875	963
	66"	321	250	277	318	351	387	418	444	479	503	551	583	617	650	712	782	857	829	920	1000
	72"	336	264	292	323	363	402	432	465	495	524	576	613	647	679	746	825	906	879	964	1036
	84"	359	287	315	352	395	432	466	502	536	569	625	662	703	737	782	831	943	915	966	1055
	96"	364	293	320	360	403	440	475	512	546	580	636	678	717	754	798	923	978	950	1010	1073
	108"	402	330	358	403	451	494	534	572	612	650	714	758	802	845	895	1034	1097	1069	1135	1205
	120"	398	327	380	432	487	537	580	625	670	713	788	837	889	935	992	1150	1223	1223	1297	1376

** Light areas inside double line are standard cordless shades. Dark areas outside of double line are only available as tilt only.

* Any orders with a product over 90" width will have an additional oversized fee. See full shipping policy for details.

Standard Features

- 2" wide .008 gauge slats
- 2" X 2" steel head rail
- 2-Slat Standard Valance
- 1/2" deduction on inside mount
- Blind ladder will be color coordinated, but inner lift cord will be white.
- Wand tilt only (clear wand)
- Cordless with no lift handle included
- Limited Lifetime Warranty
- For Color availability see page 19

Cordless Features &

- Limitations
- Standard Cordless Module
 - Left tilt standard
 - Minimum width 18"
 - Maximum width 96"
 - Minimum length 18"
 - Maximum length 108"

Tilt Only** Features &

- Limitations
- Left tilt standard on blinds > 12" wide
 - Center tilt only for blinds 12" wide or less
 - Minimum width 8"
 - Maximum width 120"
 - Minimum length 18"
 - Maximum length 120"

Cloth tape available

- in 6 colors:
- 510 White
 - 511 Duck White
 - 512 Fawn
 - 513 Dark Beige
 - 514 Gray
 - 524 Black

**Warning: To be compliant with the ANSI/WCMA A100.1-2022 Window Covering Standard Aluminum Tilt Only Blinds must be installed using all hardware and components including holddown brackets provided with this product and properly installed according to instructions provided in the blind package.

Micro (1/2") Aluminum

Micro (1/2")

Width to:	12"	18"	23"	26"	29"	32"	36"	40"	44"	48"	52"	57"	62"	67"	72"	82"	92"	96"	102"	110"	120"	
Length to:	42"	202	140	167	178	189	195	221	234	245	255	270	293	308	323	340	374	406	438	410	464	518
	48"	216	153	180	189	198	209	235	250	259	276	288	317	331	351	365	403	437	471	443	499	556
	54"	221	158	186	198	210	221	250	264	277	292	305	337	354	374	391	435	465	496	469	521	574
	60"	230	167	195	209	223	230	259	276	293	308	323	355	377	399	419	463	504	545	517	580	642
	66"	243	180	208	221	234	249	274	292	308	327	345	381	402	422	444	494	540	586	559	627	695
	72"	250	187	215	230	245	256	288	305	327	345	363	402	422	447	472	525	573	622	594	664	735
	78"	264	201	229	241	253	270	301	323	344	363	383	422	447	472	497	553	605	657	629	703	777
	84"	268	206	233	250	266	281	317	337	360	381	402	444	470	496	525	582	636	690	662	738	814
	90"	275	212	240	259	277	292	328	352	376	399	422	463	494	525	551	615	671	727	700	778	856
	96"	289	227	254	270	285	303	345	366	391	418	441	487	518	550	576	647	706	766	738	820	901
	102"	304	241	268	281	293	314	363	381	405	437	460	512	542	575	602	679	741	804	777	861	946
	108"	318	255	283	292	300	325	381	395	419	455	479	536	567	601	627	711	777	843	815	903	991

** Light areas inside double line are standard cordless shades. Dark areas outside of double line are only available as tilt only.

* Any orders with a product over 90" width will have an additional oversized fee. See full shipping policy for details.

Standard Features

- 1/2" wide .006 gauge slats
- 1" X 1 1/2" steel head rail
- 2-Slat Standard Valance
- 1/2" deduction on inside mount
- All interior lift cords are white
- Wand tilt only (clear wand)
- Cordless with no lift handle included
- Limited Lifetime Warranty
- For Color availability see page 19

Cordless Features & Limitations

- Standard Cordless Module
- Left tilt standard
- Minimum width 18"
- Maximum width 96"
- Minimum length 18"
- Maximum length 96"

Size Limitations

- Minimum width 8"
- Maximum width 120"
- Minimum length 18"
- Maximum length 108"
- Minimum mounting space is 3/4"
- Minimum flush mount is 1 3/4"

Warranty

CACO, Inc. will extend a limited lifetime warranty on Aluminum blinds, a limited lifetime warranty on blinds, and operating cords and a limited 5 year warranty on battery motors and wands. Each blind is warranted to be free from defects in materials and workmanship to the original owner, provided that the blinds were properly installed in a window, door or other interior area for which they intended, maintained and cleaned with the manufacturer recommendations.

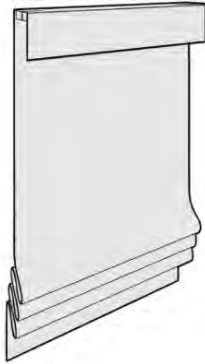
Damage resulting from misuse, abuse, exposure to the elements, including but not limited to exposure to salty air, discoloration due to sunlight or passage of time, exposure to humidity, accidents, the use of steam, bleach, or any caustic abrasive, or solvent based cleaners, alterations or normal wear and tear upon the blinds are not covered by this warranty. Cord wear shall be considered as normal wear and tear. Some fading or reduction in color intensity may occur and should not be deemed defective. Returns for the above-mentioned reasons are not warranted.

The obligation of CACO's manufactured products and its distributors is limited to repair or replacement of the blinds or components found to be defective, at our option, provided the blinds are returned to an authorized CACO dealer or distributor and accompanied by "proof of purchase". CACO is not responsible for any shipping or labor costs associated for measuring, removing and re-installing blind from installed windows or fabricating alterations.

This warranty is exclusive and in lieu of all other obligations, liabilities, or warranties. In no event shall CACO be liable or responsible for incidental or consequential damages, or for any other direct or indirect damage, loss, cost, expense or fee. This warranty gives you specific rights, and you may also have other rights, which vary from state to state.

Styles & Features

Flat Fold Cordless (Standard)



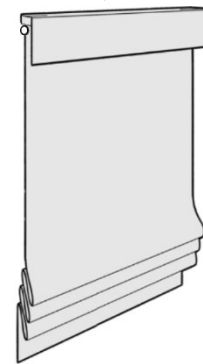
- Mounted on 1 1/2" x 3/4" wood headrail.
- Includes 6" front valance
- Minimums: Based on Pattern
- Maximums: Based on Pattern

Waterfall Cordless



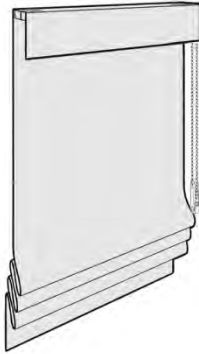
- Mounted on 1 1/2" x 3/4" wood headrail.
- Includes 6" back valance
- Minimums: Based on Pattern
- Maximums: Based on Pattern

Flat Fold Cordless (TDBU)



- Mounted on 1 5/16" x 1 9/16" metal headrail.
- Includes 6" front valance
- Minimums: Based on Pattern
- Maximums: Based on Pattern

Flat Fold (Loop Control)



- Mounted on 1 1/2" x 3/4" or 2 1/2" x 3/4" wood headrail based on size.
- Includes 6" front valance
- Metal Bead Chain Only
- Minimums: Width - 18" Height - 24"
- Maximums: Width - 96" Height - 96"

Waterfall (Loop Control)



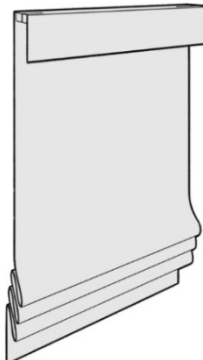
- Mounted on 1 1/2" x 3/4" or 2 1/2" x 3/4" wood headrail based on size.
- 4" back valance
- Controls hidden behind shade
- Metal Bead Chain Only
- Minimums: Width - 18" Height - 24"
- Maximums: Width - 96" Height - 96"

Hobbled (Loop Control)



- Mounted on 1 1/2" x 3/4" or 2 1/2" x 3/4" wood headrail based on size.
- Includes 6" valance
- Hobble Shade retains Flat Fold Pleats in lowered position
- Metal Bead Chain Only
- Minimums: Width 18" Height - 24"
- Maximums: Width - 96" Height - 96"

Flat Fold Motorized



- Mounted on 1 1/2" x 3/4" wood headrail.
- Includes 6" front valance
- Minimums: Based on Pattern
- Maximums: Based on Pattern

Waterfall Motorized



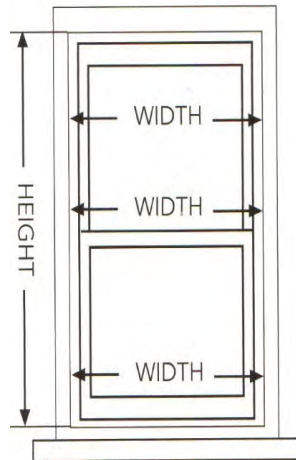
- Mounted on 1 1/2" x 3/4" wood headrail.
- Includes 6" front valance
- Minimums: Based on Pattern
- Maximums: Based on Pattern

Measuring and Headrail options

Measuring Instructions

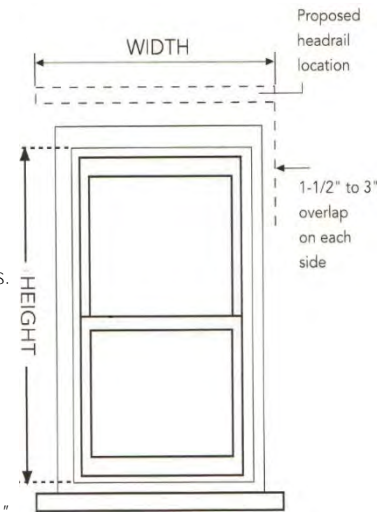
Inside Mount

- Measure inside width across at the top, middle and bottom of the window. Use the narrowest measurement when ordering. The factory will take a 1/4" deduction from each side for operational clearance (1/2" total).
- Measure inside height at the top and bottom. No deductions are taken from length measurements.
- L-Shaped bracket will be provided for installation.
- Note: Finished shade length may not be exactly as specified if exact dimension falls in the middle of a wide slat. Length tolerance of +/- 1"



Outside Mount

- Measure exact finished width of shade. It is recommended that 3" be added to shade width for standard overlap.
- Measure exact finished length of shade. It is recommended that 1" - 1 1/2" be added to shade length for a standard shade.
- No deductions are taken for outside mount measurements.
- Side returns included.
- Valance width will be approximately 1" wider than ordered width.
- Note: Finished shade length may not be exactly as specified if exact dimension falls in the middle of a wide slat. Length tolerance of +/- 1"



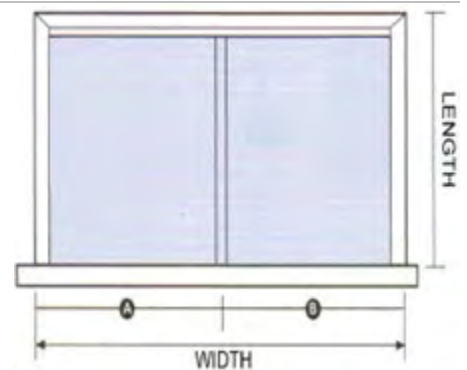
Two Shades on Headrail

Shades can be mounted on one headrail for an additional surcharge.

- Flat Fold and Waterfall Styles only
- Charged as individual shades
- Available in Cordless & Loop Control
- Loop mechanisms and must be ordered on opposite ends. (L/L, L/R, R/R, cannot be ordered R/L)
- Minimum width 24"
- Maximum shade size 102"
- Valance maximum width without railroading is 96"

Measuring 2 on 1 Headrail:

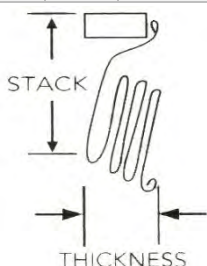
- Measure width of area shade is to cover
- Factory will allow a minimum of 1/2" between shades for Operating clearance.
- Total width of all shades must equal total headrail width.
- Measure length using standard inside/outside mount procedures
- For patio doors, measure length to within 1" of the floor from top of shade
- Cords should be on outside edges of shades.
- Wall installation is recommended



Stacking Dimensions

- All shades fully lifted stack to an average of 8" - 10"
- Thickness of stack varies with different material weave.

Stacking Chart				
	Flat Fold & Waterfall		Hobbled	
	Approx. Height	Approx. Thickness	Approx. Height	Approx. Thickness
24"	7.5"	1.5"	8.5"	2.5"
48"	7.5"	2.5"	8.5"	3"
72"	7.5"	3.5"	8.5"	3.5"
96"	8"	4.5"	9"	4.5"



*Stacking averages: Actual height may vary approx. +/-1"

Headrail Options

Headrail Dimensions	Minimum Depth Requirements					Profile
	Depth	Height	Depth	Flush Mount	Outside mount	
Standard Cordless	1-1/2"	3/4"	1-1/2"	3"	2" of Flat Surface	
Motorization						
Slim Loop Control	1-1/2"	3/4"	1-1/2"	2-1/2"	2" of Flat Surface	
Standard Loop Control	2-1/2"	3/4"	2-1/2"	3-1/2"	2" of Flat Surface	
TDBU Cordless	1-5/16"	1-9/16"	1-5/16"	1-9/16"	1" of Flat Surface	

Shade option and limitation charts

Shade Style Options All Patterns		Styles											
		Flat Fold	Waterfall	Hobbled	1/2" Edge Binding	2 1/2" Edge Binding	Motorization	Cordless	TDBU Cordless	Loop Control	Privacy Liner	Blackout Liner	2-on-1 Headrail
Styles	Flat Fold	Y			Y	Y	Y	Y	Y	Y	Y	Y	Y
	Waterfall		Y		Y	Y	Y	Y	N	Y	Y	Y	Y
	Hobbled			Y	Y	Y	N	N	N	Y	Y	Y	N
Upgrades	1/2" Edge Binding	Y	Y	Y	Y	N	Y	Y	N	Y	Y	Y	Y
	1 1/2" Edge Binding	Y	Y	Y	N	Y	Y	Y	N	Y	Y	Y	Y
	Cordless	Y	Y	N	Y	Y	N	Y	N	N	Y	Y	Y
	TDBU Cordless	Y	N	N	N	N	N	N	Y	N	Y	Y	N
	Loop Control	Y	Y	Y	Y	Y	N	N	N	Y	Y	Y	Y
	Privacy Liner	Y	Y	Y	Y	Y	Y	Y	Y	Y	Y	N	Y
	Blackout Liner	Y	Y	Y	Y	Y	Y	Y	Y	Y	Y	N	Y
	2-on-1 Headrail	Y	Y	N	Y	Y	Y	Y	N	Y*	Y	Y	Y
Cord Position	Cord Position	Y	Y	Y	Y	Y	N	N	N	Y	Y	Y	N
	Ext. Bracket	Y	Y	Y	Y	Y	Y	Y	Y	Y	Y	Y	Y
	Hold Down Clips	Y	Y	Y	Y	Y	Y	Y	Y	Y	Y	Y	Y

*2-on-1 shades ordered with Loop Control must be ordered with controls on opposite ends of each other (L/L, L/R, R/R only)

Shade Limitations		Minimum Width	Maximum Width	Minimum Height	Maximum Height
Styles	Flat Fold	18"	96"	24"	96"
	Waterfall	18"	96"	24"	96"
	Hobbled	18"	96"	24"	96"
Upgrades	1/2" Edge Binding	18"	96"	24"	96"
	1 1/2" Edge Binding	18"	96"	24"	96"
	Motorization	24"	See Motorization limit chart	36"	See Motorization limit chart
	Cordless	See Cordless limit chart	96"	24"	96"
	Cordless TDBU	18"	See Cordless TDBU limit chart	24"	See Cordless TDBU limit chart
	Loop Control	18"	96"	24"	96"
	Privacy Liner	18"	96"	24"	96"
	Blackout Liner	18"	96"	24"	96"
	2-on-1 Headrail	24"	96"	24"	96"

Features and Surcharges

Cordless Standard Features

- Cordless Flat Fold or Cordless Waterfall are standard – other styles require surcharge
- 6" Standard Valance for Flat Fold
- Valance side returns on outside mount only
- Wood headrail 1 1/2" width

Cordless TDBU Standard Features

- Flat Fold Only
- 2 handles control the shade
- Front Valance attached with double sided Velcro
- White Metal Headrail Only, please note this headrail is different from the current woven wood headrail system. If ordering shades side by side, please make sure the shades are ordered with the same option
- Hidden L brackets instead of standard brackets

Width up to	24"	36"	48"	60"	72"
TDBU Surcharge	124	148	173	214	254

Loop Chain Control Features

- Left or Right control positions
 - Not available with Cordless, TDBU or Motorization.
- Only available in cord loop, not PVC loop
- Loop control cord available in Stainless or Bronze chain
- Compliant Tension device
- Minimum Width 24"
- Maximum Height 120"
- 2 Wood headrail widths based on shade size:
 - 1 1/2" width Slim Loop Control Headrail will be used on shades up 72" x 72" except for patterns B2264, B2265, B3311 & B3312, where the maximum size is 60" X 60". This is an estimate and can vary based on pattern selected or shade size.
 - 2 1/2" width Standard Loop Control Headrail will be used on shades larger than 72" x 72" except for patterns B2264, B2265, B3311 & B3312, where the minimum size is 60" X 60". This is an estimate and can vary based on pattern selected or shade size.

No Charge Options

- Hold down clips
- Extension Brackets
- Returns on outside mount shades. Returns are made to the side of the front or back valance. Square, camel colored Velcro will be provided to attach returns
- Optional Regular side returns for inside mount shades

Surcharges

- Hobbled Shade, Liner and Edge Banding subject to 30% surcharge
- Tile Cutouts \$9 surcharge per cut, must provide sketch with exact measurements for "in" and "up"
- Edge Banding
 - Available in 1/2" or 1 1/2" widths
 - Mitered corners for 1.5" edge banding
 - Color coordinated thread
 - Fabric sewn on left/right/bottom of shade body, except Flat Fold valance or Cordless shades are left/right only

1/2" Fabric Edge Banding:

Length	36"	48"	60"	72"	84"	96"	108"	120"
	62	70	79	89	98	112	123	133

1 1/2" Fabric Edge Banding (Mitered):

Length	36"	48"	60"	72"	84"	96"	108"	120"
	128	146	167	186	212	243	273	299

Edge Banding Colors	
Color	Number
White	001
Oyster	002
Navy	007
Caramel	048
Chocolate	033
Silver	039
Warm Gray	043
Vanilla	006

Privacy & Blackout Liners

- Lining is attached to the back of the shade.
- Liner surcharge is added to the price of the shade
- Privacy Liner: Allows sunlight to filter through.
- Blackout Liner: Opaque room darkening liner with exterior off white lining.
- Standard design for shades is with the liner color facing interior and white back facing the exterior or street. Shades can be ordered in reverse but need to be requested with the color facing the street.
- Lining is subject to wrinkling.
- 30% Surcharge for Hobbled Shade Liner.

Privacy Liner

	2294P-White	2290P-Cream	2291P-Teak	2277P-Natural	2273P-Gray	24"	30"	36"	42"	48"	60"	72"	84"	96"
Width to:														
Length to:	36"	59	66	74	81	101	133	152	170	189				
	42"	63	70	79	87	112	146	167	186	207				
	48"	68	77	86	95	121	158	181	204	225				
	54"	71	81	92	102	131	169	194	220	245				
	60"	77	86	99	110	140	182	208	237	263				
	66"	81	92	105	117	150	193	223	253	282				
	72"	85	97	110	125	159	206	237	269	301				
	78"	115	132	148	166	224	285	327	368	409				
	84"	118	138	156	175	237	299	344	389	434				
	90"	124	145	163	183	247	314	360	408	455				
	96"	130	150	170	191	260	328	378	428	478				
	102"	133	155	178	199	271	343	396	450	503				
	108"	139	162	184	207	283	357	413	469	524				
	114"	145	168	192	216	296	371	431	490	549				
	120"	148	174	199	224	306	386	449	509	570				

Blackout Liner

	2294BO-White	2290BO-Cream	2291BO-Teak	2277BO-Natural	2273BO-Gray	24"	30"	36"	42"	48"	60"	72"	84"	96"
Width to:														
Length to:	36"	70	81	91	101	124	162	186	209	235				
	42"	75	89	99	110	137	178	206	232	259				
	48"	81	95	108	122	148	193	223	253	284				
	54"	87	102	116	131	162	209	243	275	309				
	60"	93	109	124	140	174	224	261	297	334				
	66"	99	117	132	151	186	240	279	319	358				
	72"	104	124	141	161	199	255	299	340	383				
	78"	135	158	181	204	274	345	401	455	509				
	84"	140	166	190	214	289	365	423	481	539				
	90"	147	173	199	224	304	383	445	507	570				
	96"	154	182	208	236	319	403	468	534	599				
	102"	160	189	217	247	332	421	491	560	629				
	108"	167	197	227	258	347	439	513	585	659				
	114"	171	205	236	269	362	458	534	612	689				
	120"	178	212	245	279	377	476	558	638	719				

Motorization

- Available in Flat fold or Waterfall styles
- Wood headrail 1 1/2" width
- Not available in Loop Control or Hobbled Shade
- Motor has built-in rechargeable lithium battery, using charger DC264 (1.1 Nm motor) to recharge
- The average motor charge will last about six months with everyday use.
- Remote control (White Only) can operate up to 15 shades
- Designate left or right for charging lead to accommodate power source.
- Shades will be programed before shipping, so notes will need to be made on order form to designate what shades will be assigned to which channel(s).



Automate Motorization Price	
Automate 1.1 Nm Li-ion	
12V Motor	\$206 Net
Wall Charger 12V	\$29 Net
Paradigm 15 Channel	
Remote	\$55 Net
Pulse Hub	\$191 Net
Solar Panel	\$37 Net

Motorization Limitations for Dynasty Patterns		72" DROP (Max. Width)		96" DROP (Max. Width)	
Chart	Pattern Name	Without Lining	With lining	Without Lining	With lining
1	Beijin – Smoke / Storm	96"	84"	78"	60"
1	Cortina – Latte / Shale	96"	84"	78"	60"
1	Yunnan – Cloud / Stone	96"	84"	78"	60"
2	Lhasa – Noir / White Sand	90"	72"	66"	54"
2	Meteor – Leaf / Shadow / Snow	96"	96"	96"	72"
2	Ningxia – Graystone / Taupe / White	96"	90"	90"	66"
2	Prarie – Taupe / Snow	96"	84"	78"	60"
2	Techno – Cinder / Haze	96"	84"	78"	60"
3	Hampton – Bisque / Natural / Slate	96"	96"	96"	78"
3	Tibet – Flax / Sterling	96"	96"	96"	96"
4	Chelsea – Sand / Stone	96"	96"	96"	96"
4	Havana – Café / Hemp / Pearl / Silver	96"	96"	96"	96"
4	Sand Dune – Gray / Marble / Taupe / White	96"	96"	96"	96"
4	Seawave – Bark / Mushroom / Slate	96"	96"	96"	84"
5	Classic Braid – Chestnut / Natural / Silver	96"	96"	96"	96"
5	Comoros – Natural / Pale Gray	96"	96"	96"	96"
5	Crosswave – Sand / Sandal	96"	96"	96"	96"
5	Senegal – Dune / Ivory / Toast / Silver	96"	96"	96"	96"

Motorization Limitations for Galaxy Patterns		72" DROP (Max. Width)		96" DROP (Max. Width)	
Chart	Pattern Name	Without Lining	With lining	Without Lining	With lining
1	Zagoli Sienna	96"	84"	72"	60"
1	Argos	96"	84"	72"	60"
1	Kyoto – Frost / Russet	96"	96"	96"	96"
2	Mesabi White	90"	96"	84"	72"
2	Bamboo Harvest	84"	72"	60"	48"
2	Aris Wheat	96"	96"	96"	96"
2	Edessa Cream	96"	96"	96"	84"
3	Lulea Snow	96"	96"	96"	96"
4	Luxor – Chestnut / Sand / Silver Charm	96"	96"	96"	96"
4	Lyon – Chalk / Glacier / Taupe	96"	96"	96"	72"
4	Arroyo – Gray / Pale Smoke / Thunder	96"	96"	96"	96"
4	Essex – Late / Sage / Straw / White Cloud	96"	96"	96"	96"
4	Lakeshore – Latte / Straw / White Sands	96"	96"	96"	96"
4	Sanoma – Caramel / Concrete / Rust / Sabds	96"	96"	96"	96"
4	Hudson – Flax / Pebble	96"	96"	96"	96"
4	Timmins – Cream / Fossil / Seal	96"	96"	96"	96"
4	Serenity Mist	96"	96"	96"	96"
4	Avedon	96"	96"	96"	96"
5	Kingston – Rice / Rock / Smoke	96"	96"	96"	96"
5	Giza – Midnight / Snow / Wheat	96"	96"	96"	96"
5	Chatou – Snow / Star / Stone	96"	96"	96"	96"
5	Dawson – Marble / Tea / White	96"	96"	96"	96"
5	Zaria – Mink / Silver White	96"	96"	96"	96"
5	Boras Snow	96"	96"	96"	96"
5	Amour Wheat	96"	84"	72"	60"
5	Bengali Sand	96"	96"	96"	96"
5	Goya – Dawn / Wheat	96"	96"	96"	96"
6	Moncton – Granite / Snow Gray / Snow White	96"	96"	96"	96"
6	Zeffa – Grayish White / Mushroom / White /	96"	96"	96"	96"
6	Kuwada – Cotton / Lava / Stone	96"	96"	96"	96"
6	Surroy – Amber / Pearl / Tea / Whiterock	96"	96"	96"	96"
6	Winnipeg – Cream / Silver	96"	96"	96"	96"

Dynasty Pattern Identification

Dynasty Patterns			
Chart Listed on Samples	Pattern Number	Pattern Name	Roman Shade Price Chart
1	B3205	Beijin Smoke	Dynasty 1
1	B3206	Beijin Storm	Dynasty 1
1	B3201	Cortina Latte	Dynasty 1
1	B3202	Cortina Shale	Dynasty 1
1	B3211	Yunnan Cloud	Dynasty 1
1	B3212	Yunnan Stone	Dynasty 1
2	B3311	Lhasa Noir	Dynasty 2
2	B3312	Lhasa White Sand	Dynasty 2
2	B3322	Meteor Leaf	Dynasty 2
2	B3321	Meteor Shadow	Dynasty 2
2	B3323	Meteor Snow	Dynasty 2
2	B3353	Ningxia Graystone	Dynasty 2
2	B3352	Ningxia Taupe	Dynasty 2
2	B3351	Ningxia White	Dynasty 2
2	B3341	Prarie Taupe	Dynasty 2
2	B3342	Prarie Snow	Dynasty 2
2	B3332	Techno Cinder	Dynasty 2
2	B3331	Techno Haze	Dynasty 2
3	BJ3406	Hampton Bisque	Dynasty 3
3	BJ3405	Hampton Natural	Dynasty 3
3	BJ3407	Hampton Slate	Dynasty 3
3	BJ3416	Tibet Flax	Dynasty 3
3	BJ3415	Tibet Sterling	Dynasty 3
4	BP3506	Chelsea Sand	Dynasty 3
4	BP3505	Chelsea Stone	Dynasty 4
4	J3517	Havana Café	Dynasty 4
4	J3515	Havana Hemp	Dynasty 4
4	J3516	Havana Pearl	Dynasty 4
4	J3518	Havana Silver	Dynasty 4
4	BP3504	Sand Dune Gray	Dynasty 4
4	BP3501	Sand Dune Marble	Dynasty 4
4	BP3503	Sand Dune Taupe	Dynasty 4
4	BP3502	Sand Dune White	Dynasty 4
4	BP3511	Seawave Bark	Dynasty 4
4	BP3512	Seawave Mushroom	Dynasty 4
4	BP3513	Seawave Slate	Dynasty 4
5	BJ3613	Classic Braid Chestnut	Dynasty 5
5	BJ3611	Classic Braid Natural	Dynasty 5
5	BJ3612	Classic Braid Silver	Dynasty 5
5	J3608	Comoros Natural	Dynasty 5
5	J3607	Comoros Pale Gray	Dynasty 5
5	J3602	Crosswave Sand	Dynasty 5
5	J3601	Crosswave Sandle	Dynasty 5
5	J3604	Senegal Dune	Dynasty 5
5	J3603	Senegal Ivory	Dynasty 5
5	J3606	Senegal Silver	Dynasty 5
5	J3605	Senegal Toast	Dynasty 5

Galaxy Pattern Identification

Galaxy Patterns			
Chart Listed on Samples	Pattern Number	Pattern Name	Roman Shade Price Chart
1	BB1001	Argos	Galaxy 1
1	BB1268	Kyoto Frost	Galaxy 1
1	BB1266	Kyoto Russet	Galaxy 1
1	BB1080	Zagoli Sienna	Galaxy 1
2	BB2780	Aris Wheat	Galaxy 2
2	BB2264	Bamboo Harvest	Galaxy 2
2	BB2090	Edessa Cream	Galaxy 2
2	BB2253	Mesabi White	Galaxy 2
3	BJ3403	Lulea Snow	Galaxy 3
4	BY4201	Arroyo Thunder	Galaxy 4
4	BY4202	Arroyo Gray	Galaxy 4
4	BY4203	Arroyo Pale Smoke	Galaxy 4
4	BJ4350	Avedon	Galaxy 4
4	PB4190	Essex Latte	Galaxy 4
4	PB4170	Essex Sage	Galaxy 4
4	PB4180	Essex Straw	Galaxy 4
4	PB4160	Essex White Cloud	Galaxy 4
4	PB4212	Hudson Flax	Galaxy 4
4	PB4210	Hudson Pebble	Galaxy 4
4	BJ4523	Serenity Mist	Galaxy 4
4	PB4102	Lakeshore Latte	Galaxy 4
4	PB4103	Lakeshore Straw	Galaxy 4
4	PB4101	Lakeshore White Sands	Galaxy 4
4	PB4250	Luxor Chestnut	Galaxy 4
4	PB4260	Luxor Sand	Galaxy 4
4	PB4270	Luxor Silver Charm	Galaxy 4
4	PB4383	Lyon Chalk	Galaxy 4
4	PB4373	Lyon Glacier	Galaxy 4
4	PB4363	Lyon Taupe	Galaxy 4
4	PP4703	Sanoma Caramel	Galaxy 4
4	PP4705	Sanoma Concrete	Galaxy 4
4	PP4706	Sanoma Ginger	Galaxy 4
4	PP4704	Sanoma Rust	Galaxy 4
4	PP4702	Sanoma Sands	Galaxy 4
4	PP4701	Sanoma Snow	Galaxy 4
4	PB4240	Timmins Cream	Galaxy 4
4	PB4220	Timmins Fossil	Galaxy 4
4	PB4230	Timmins Seal	Galaxy 4

Galaxy Patterns			
Chart Listed on Samples	Pattern Number	Pattern Name	Roman Shade Price Chart
5	BJ5525	Amour Wheat	Galaxy 5
5	BJ5240	Bengali Sand	Galaxy 5
5	BJ5514	Boras Sno	Galaxy 5
5	PB5480	Chatou Snow	Galaxy 5
5	PB5460	Chatou Star	Galaxy 5
5	PB5470	Chatou Stone	Galaxy 5
5	PY5510	Dawson Marble	Galaxy 5
5	PY5530	Dawson Tea	Galaxy 5
5	PY5520	Dawson White	Galaxy 5
5	PB5420	Giza Midnight	Galaxy 5
5	PB5430	Giza Wheat	Galaxy 5
5	PB5440	Giza Snow	Galaxy 5
5	PP5740	Kingston Rice	Galaxy 5
5	PP5730	Kingston Rock	Galaxy 5
5	PP5720	Kingston Smoke	Galaxy 5
5	JJ5010	Goya Dawn	Galaxy 5
5	JJ5050	Goya Wheat	Galaxy 5
5	PY5313	Zaria Mink	Galaxy 5
5	PY5311	Zaria Silver White	Galaxy 5
6	JP6874	Kuwada Cotton	Galaxy 6
6	JP6872	Kuwada Lava	Galaxy 6
6	JP6870	Kuwada Stone	Galaxy 6
6	JP6778	Moncton Snow White	Galaxy 6
6	JP6779	Moncton Snow Gray	Galaxy 6
6	JP6777	Moncton Granite	Galaxy 6
6	JP6813	Surroy Pearl	Galaxy 6
6	JP6811	Surroy Whiterock	Galaxy 6
6	JP6810	Surroy Amber	Galaxy 6
6	JP6812	Surroy Tea	Galaxy 6
6	PY6832	Winnipeg Cream	Galaxy 6
6	PY6830	Winnipeg Silver	Galaxy 6
6	JP6334	Zeffa White	Galaxy 6
6	JP6335	Zeffa Whitish Gray	Galaxy 6
6	JP6336	Zeffa Grayish White	Galaxy 6
6	JP6333	Zeffa Mushroom	Galaxy 6

Cordless Pattern Limitations

Cordless Limitations for Dynasty Patterns		Width		Length	
Chart	Pattern Name	Minimum	Maximum	Minimum	Maximum
1	Beijin – Smoke / Storm	19"	96"	24"	96"
1	Cortina – Latte / Shale	19"	96"	24"	96"
1	Yunnan – Cloud / Stone	19"	96"	24"	96"
2	Lhasa – Noir / White Sand	18"	96"	24"	96"
2	Meteor – Leaf / Shadow / Snow	18"	96"	24"	96"
2	Ningxia – Graystone / Taupe / White	19"	96"	24"	96"
2	Prarie – Taupe / Snow	19"	96"	24"	96"
2	Techno – Cinder / Haze	18"	96"	24"	96"
3	Hampton – Bisque / Natural / Slate	18"	96"	24"	96"
3	Tibet – Flax / Sterling	18"	96"	24"	96"
4	Chelsea – Sand / Stone	18"	96"	24"	96"
4	Havana – Café / Hemp / Pearl / Silver	18"	96"	24"	96"
4	Sand Dune – Gray / Marble / Taupe / White	18"	96"	24"	96"
4	Seawave – Bark / Mushroom / Slate	18"	96"	24"	96"
5	Classic Braid – Chestnut / Natural / Silver	22"	96"	24"	96"
5	Comoros – Natural / Pale Gray	18"	96"	24"	96"
5	Crosswave – Sand / Sandal	19"	96"	24"	96"
5	Senegal – Dune / Ivory / Toast / Silver	18"	96"	24"	96"

Cordless Limitations for Galaxy Patterns		Width		Length	
Chart	Pattern Name	Minimum	Maximum	Minimum	Maximum
1	Zagoli Sienna	19"	72"	24"	72"
1	Argos	19"	72"	24"	72"
1	Kyoto – Frost / Russet	19"	72"	24"	72"
2	Mesabi White	18"	72"	24"	72"
2	Bamboo Harvest	19"	72"	24"	72"
2	Aris Wheat	18"	72"	24"	72"
2	Edessa Cream	18"	96"	24"	96"
3	Lulea Snow	19"	96"	24"	96"
4	Luxor – Chestnut / Sand / Silver Charm	18"	96"	24"	96"
4	Lyon – Chalk / Glacier / Taupe	18"	96"	24"	96"
4	Arroyo – Gray / Pale Smoke / Thunder	18"	96"	24"	96"
4	Essex – Late / Sage / Straw / White Cloud	18"	96"	24"	96"
4	Arroyo – Gray / Pale Smoke / Thunder	18"	96"	24"	96"
4	Essex – Latte / Sage / Straw / White Cloud	18"	96"	24"	96"
4	Lakeshore – Latte / Straw / White Sands	18"	96"	24"	96"
4	Sanoma – Caramel / Concrete / Rust / Sabds	22"	96"	24"	96"
4	Hudson – Flax / Pebble	18"	96"	24"	96"
4	Timmins – Cream / Fossil / Seal	18"	96"	24"	96"
4	Serenity Mist	18"	96"	24"	96"
4	Avedon	18"	96"	24"	96"
5	Kingston – Rice / Rock / Smoke	18"	96"	24"	96"
5	Giza – Midnight / Snow / Wheat	19"	96"	24"	96"
5	Chatou – Snow / Star / Stone	18"	96"	24"	96"
5	Dawson – Marble / Tea / White	18"	96"	24"	96"
5	Zaria – Mink / Silver White	18"	96"	24"	96"
5	Boras Snow	18"	96"	24"	96"
5	Amour Wheat	18"	96"	24"	96"
5	Bengali Sand	18"	96"	24"	96"
5	Goya – Dawn / Wheat	18"	96"	24"	96"
6	Moncton – Granite / Snow Gray / Snow White	18"	96"	24"	96"
6	Zeffa – Grayish White / Mushroom / White / Whitish Gray	18"	96"	24"	96"
6	Kuwada – Cotton / Lava / Stone	18"	96"	24"	96"
6	Surroy – Amber / Pearl / Tea / Whiterock	18"	96"	24"	96"
6	Winnipeg – Cream / Silver	18"	96"	24"	96"

TDBU Cordless Pattern Limitations

Cordless Limitations for Dynasty Patterns		Without Lining		With Lining	
Chart	Pattern Name	Max Width	Max Length	Max Width	Max Length
1	Beijin – Smoke / Storm	N/A	N/A	N/A	N/A
1	Cortina – Latte / Shale	N/A	N/A	N/A	N/A
1	Yunnan – Cloud / Stone	N/A	N/A	N/A	N/A
2	Lhasa – Noir / White Sand	N/A	N/A	N/A	N/A
2	Meteor – Leaf / Shadow / Snow	N/A	N/A	N/A	N/A
2	Ningxia – Graystone / Taupe / White	N/A	N/A	N/A	N/A
2	Prarie – Taupe / Snow	N/A	N/A	N/A	N/A
2	Techno – Cinder / Haze	N/A	N/A	N/A	N/A
3	Hampton – Bisque / Natural / Slate	60"	72"	60"	54"
3	Tibet – Flax / Sterling	72"	72"	60"	72"
4	Chelsea – Sand / Stone	72"	72"	60"	60"
4	Havana – Café / Hemp / Pearl / Silver	72"	72"	72"	72"
4	Sand Dune – Gray / Marble / Taupe / White	72"	72"	72"	72"
4	Seawave – Bark / Mushroom / Slate	72"	72"	60"	72"
5	Classic Braid – Chestnut / Natural / Silver	72"	72"	60"	72"
5	Comoros – Natural / Pale Gray	72"	72"	72"	72"
5	Crosswave – Sand / Sandal	72"	72"	72"	72"
5	Senegal – Dune / Ivory / Toast / Silver	72"	72"	72"	72"

Cordless Limitations for Galaxy Patterns		Without Lining		With Lining	
Chart	Max Width	Max Width	Max Length	Max Width	Max Length
1	Zagoli Sienna	N/A	N/A	N/A	N/A
1	Argos	N/A	N/A	N/A	N/A
1	Kyoto – Frost / Russet	N/A	N/A	N/A	N/A
2	Mesabi White	N/A	N/A	N/A	N/A
2	Bamboo Harvest	N/A	N/A	N/A	N/A
2	Aris Wheat	N/A	N/A	N/A	N/A
2	Edessa Cream	N/A	N/A	N/A	N/A
3	Lulea Snow	N/A	N/A	N/A	N/A
4	Luxor – Chestnut / Sand / Silver Charm	60"	72"	60"	54"
4	Lyon – Chalk / Glacier / Taupe	60"	54"	48"	54"
4	Arroyo – Gray / Pale Smoke / Thunder	60"	72"	60"	54"
4	Essex – Late / Sage / Straw / White Cloud	72"	72"	72"	72"
4	Lakeshore – Latte / Straw / White Sands	72"	72"	60"	72"
4	Sanoma – Caramel / Concrete / Rust / Sabds	72"	72"	72"	66"
4	Hudson – Flax / Pebble	72"	72"	60"	72"
4	Timmins – Cream / Fossil / Seal	72"	72"	60"	72"
4	Serenity Mist	N/A	N/A	N/A	N/A
4	Avedon	N/A	N/A	N/A	N/A
5	Kingston – Rice / Rock / Smoke	72"	72"	60"	72"
5	Giza – Midnight / Snow / Wheat	72"	72"	60"	66"
5	Chatou – Snow / Star / Stone	72"	72"	60"	72"
5	Dawson – Marble / Tea / White	72"	72"	72"	72"
5	Zaria – Mink / Silver White	72"	72"	72"	66"
5	Boras Snow	72"	66"	60"	60"
5	Amour Wheat	N/A	N/A	N/A	N/A
5	Bengali Sand	72"	66"	60"	60"
5	Goya – Dawn / Wheat	72"	72"	72"	66"
6	Moncton – Granite / Snow Gray / Snow White	72"	72"	72"	72"
6	Zeffa – Grayish White / Mushroom / White / Whitish Gray	72"	72"	72"	66"
6	Kuwada – Cotton / Lava / Stone	72"	72"	72"	72"
6	Surroy – Amber / Pearl / Tea / Whiterock	72"	72"	60"	72"
6	Winnipeg – Cream / Silver	72"	72"	60"	72"

Dynasty Patterns Shade Price Charts

Dynasty 1

		Beinin		Cortina			Yunnan				
		Width	24"	30"	36"	42"	48"	60"	72'	84"	96"
Length to:	36"	421	482	524	598	647	771	935	1078	1306	
	42"	435	497	543	619	669	799	969	1116	1349	
	48"	445	509	557	635	690	825	999	1150	1388	
	54"	475	546	599	685	744	890	1078	1240	1490	
	60"	485	559	614	703	765	915	1106	1277	1531	
	66"	499	576	635	722	785	943	1141	1317	1574	
	72"	522	605	670	762	833	1001	1211	1397	1666	
	78"	535	619	688	782	856	1029	1243	1435	1708	
	84"	544	633	703	799	874	1052	1272	1470	1748	
	90"	575	669	746	849	929	1121	1350	1559	1850	
	96"	589	684	764	872	955	1150	1383	1597	1895	
	102"	598	697	779	889	974	1173	1415	1632	1934	
	108"	622	727	813	930	1021	1232	1484	1714	2026	
114"	631	738	828	946	1041	1256	1512	1748	2065		
120"	641	752	843	965	1060	1281	1542	1781	2106		

Dynasty 2

		Lhasa		Meteor		Ningxia		Prarie		Techno	
		Width	24"	30"	36"	42"	48"	60"	72'	84"	96"
Length to:	36"	460	523	575	656	711	854	1034	1193	1440	
	42"	476	543	597	683	742	890	1079	1242	1496	
	48"	491	560	616	706	768	923	1119	1289	1548	
	54"	527	601	666	762	830	1001	1209	1395	1665	
	60"	539	620	685	784	858	1034	1249	1441	1720	
	66"	555	642	713	811	888	1070	1294	1494	1778	
	72"	583	675	752	858	940	1137	1374	1588	1886	
	78"	598	693	775	883	969	1174	1416	1636	1940	
	84"	613	711	795	906	995	1208	1457	1684	1995	
	90"	649	753	844	964	1058	1283	1547	1788	2113	
	96"	665	773	868	992	1091	1320	1589	1838	2170	
	102"	677	791	887	1017	1118	1355	1630	1885	2223	
	108"	705	825	928	1063	1172	1423	1710	1978	2330	
114"	718	841	948	1087	1198	1455	1749	2025	2383		
120"	731	857	967	1110	1226	1488	1792	2072	2438		

Dynasty 3

		Hampton		Tibet							
		Width	24"	30"	36"	42"	48"	60"	72'	84"	96"
Length to:	36"	476	545	599	687	745	895	1083	1249	1502	
	42"	498	568	628	720	782	941	1139	1312	1572	
	48"	513	590	653	749	817	983	1190	1371	1640	
	54"	550	633	702	805	881	1060	1279	1474	1757	
	60"	567	654	727	834	913	1102	1328	1533	1824	
	66"	588	680	758	866	949	1147	1383	1599	1896	
	72"	614	714	797	913	1003	1211	1463	1689	2001	
	78"	633	736	826	944	1038	1258	1517	1751	2072	
	84"	651	758	850	974	1072	1301	1566	1810	2139	
	90"	685	800	900	1029	1135	1377	1656	1915	2256	
	96"	706	826	929	1065	1174	1423	1710	1977	2328	
	102"	722	846	953	1095	1209	1464	1762	2037	2395	
	108"	749	880	994	1141	1260	1530	1840	2128	2499	
114"	766	902	1020	1171	1295	1572	1891	2187	2567		
120"	783	921	1044	1199	1328	1613	1941	2246	2636		

Dynasty 4

		Chelsea		Havana		Sand Dune		Seawave			
		Width	24"	30"	36"	42"	48"	60"	72'	84"	96"
Length to:	36"	500	576	636	729	795	957	1156	1333	1597	
	42"	527	605	670	771	842	1013	1225	1413	1687	
	48"	549	633	704	808	886	1068	1290	1490	1774	
	54"	584	675	753	866	949	1147	1381	1595	1893	
	60"	607	703	787	904	992	1202	1447	1672	1980	
	66"	631	735	826	945	1040	1259	1519	1755	2073	
	72"	659	769	866	991	1094	1325	1599	1848	2179	
	78"	682	799	902	1033	1139	1385	1666	1926	2270	
	84"	705	827	933	1071	1182	1438	1732	2003	2358	
	90"	742	871	984	1128	1247	1516	1823	2109	2477	
	96"	766	902	1021	1172	1296	1574	1893	2190	2568	
	102"	788	928	1052	1210	1340	1630	1958	2267	2654	
	108"	815	963	1093	1257	1394	1696	2039	2360	2762	
114"	837	990	1125	1295	1436	1751	2103	2436	2850		
120"	859	1017	1158	1333	1481	1806	2169	2513	2937		

Dynasty 5

		Classic Braid		Comoros		Crosswave		Senegal			
		Width	24"	30"	36"	42"	48"	60"	72'	84"	96"
Length to:	36"	577	669	749	860	945	1144	1380	1599	1899	
	42"	612	711	798	919	1011	1225	1480	1710	2025	
	48"	643	750	844	973	1073	1303	1572	1819	2151	
	54"	688	805	909	1048	1157	1405	1693	1958	2308	
	60"	720	843	956	1102	1218	1482	1787	2067	2432	
	66"	753	888	1009	1159	1283	1563	1884	2182	2561	
	72"	790	935	1063	1222	1357	1655	1994	2309	2707	
	78"	825	975	1112	1280	1421	1737	2090	2421	2834	
	84"	856	1014	1159	1334	1484	1814	2183	2529	2959	
	90"	900	1071	1224	1408	1567	1916	2303	2669	3117	
	96"	935	1113	1273	1467	1634	1996	2400	2782	3244	
	102"	966	1151	1320	1523	1696	2075	2492	2891	3368	
	108"	1003	1197	1377	1586	1770	2165	2602	3019	3514	
114"	1034	1236	1421	1641	1831	2244	2696	3128	3640		
120"	1066	1274	1469	1695	1893	2321	2789	3235	3764		

* Any orders with a product over 90" width will have an additional oversized fee. See full shipping policy for details.

Galaxy Patterns Price Charts

Galaxy 1

		Argos		Kyoto		Zagoli Sienna				
		24"	30"	36"	42"	48"	60"	72'	84"	96"
Length to:	36"	371	423	459	522	567	673	819	944	1151
	42"	380	431	468	534	580	689	837	964	1172
	48"	384	437	475	542	590	700	851	980	1190
	54"	413	472	515	588	642	765	928	1068	1290
	60"	417	477	522	596	651	776	942	1084	1310
	66"	430	493	539	612	664	790	960	1106	1333
	72"	453	522	575	653	710	849	1030	1188	1426
	78"	460	530	584	664	721	864	1047	1206	1447
	84"	465	537	591	672	730	875	1060	1224	1465
	90"	493	572	631	719	783	941	1136	1311	1565
	96"	501	581	642	733	798	956	1155	1332	1588
	102"	507	587	650	741	807	967	1168	1348	1607
108"	530	616	684	781	854	1025	1237	1428	1699	
114"	535	622	691	790	864	1037	1252	1446	1718	
120"	539	628	698	798	873	1049	1266	1462	1737	

Galaxy 2

		Aris		Bamboo Harvest		Edessa Cream				
		24"	30"	36"	42"	48"	60"	72'	84"	96"
Length to:	36"	385	439	478	545	591	703	854	986	1199
	42"	394	450	490	559	607	722	879	1011	1227
	48"	400	458	499	570	620	738	897	1034	1252
	54"	431	495	542	620	675	806	978	1127	1358
	60"	437	501	551	630	688	822	997	1149	1383
	66"	449	518	569	647	703	841	1020	1176	1413
	72"	474	549	606	690	752	902	1095	1264	1512
	78"	483	559	619	704	767	921	1116	1288	1539
	84"	489	567	628	714	780	937	1135	1310	1564
	90"	520	604	670	764	835	1005	1216	1403	1671
	96"	529	615	683	781	853	1025	1237	1428	1700
	102"	536	623	693	792	866	1041	1257	1451	1724
108"	560	654	730	835	915	1103	1331	1538	1823	
114"	567	662	739	846	928	1118	1349	1559	1848	
120"	573	669	749	857	941	1134	1369	1581	1873	

Galaxy 3

		Lulea								
		24"	30"	36"	42"	48"	60"	72'	84"	96"
Length to:	36"	435	495	542	618	669	803	969	1119	1347
	42"	451	513	562	643	697	836	1011	1165	1398
	48"	463	528	581	665	722	867	1048	1209	1448
	54"	496	567	627	716	780	938	1130	1304	1557
	60"	508	583	645	738	805	969	1168	1348	1605
	66"	524	604	669	761	831	1002	1210	1396	1659
	72"	549	635	706	805	881	1064	1283	1482	1758
	78"	564	652	727	829	909	1098	1323	1528	1810
	84"	576	668	745	850	933	1129	1359	1571	1860
	90"	608	707	790	902	990	1199	1443	1668	1968
	96"	624	726	813	929	1021	1234	1484	1714	2021
	102"	637	742	831	951	1045	1265	1520	1757	2070
108"	661	773	868	995	1095	1326	1594	1843	2169	
114"	674	788	887	1015	1120	1357	1631	1886	2218	
120"	687	803	905	1037	1144	1388	1669	1930	2267	

Galaxy 4

		Arroyo		Avedon		Essex		Hudson		
		Lakeshore		Luxor		Lyon		Sanoma		
		Sanoma		Serenity		Timmins				
		24"	30"	36"	42"	48"	60"	72'	84"	96"
Length to:	36"	484	553	610	697	758	910	1102	1271	1528
	42"	505	577	637	730	796	956	1158	1334	1600
	48"	522	599	664	760	830	999	1210	1395	1669
	54"	559	643	713	818	895	1078	1301	1501	1788
	60"	576	664	739	849	929	1120	1352	1561	1857
	66"	597	691	771	881	966	1166	1409	1627	1931
	72"	623	725	811	928	1019	1233	1489	1720	2039
	78"	643	749	840	960	1056	1280	1543	1784	2110
	84"	660	771	865	990	1090	1323	1595	1843	2179
	90"	697	814	915	1048	1155	1401	1687	1949	2298
	96"	718	840	945	1084	1195	1448	1742	2014	2370
	102"	735	860	971	1114	1229	1490	1794	2073	2439
108"	761	894	1011	1162	1283	1558	1875	2168	2547	
114"	779	915	1037	1191	1318	1601	1926	2228	2616	
120"	796	937	1063	1221	1352	1645	1978	2289	2685	

Galaxy 5

		Amour Wheat		Bengali		Boras Snow				
		Chatou		Dawson		Giza				
		Goya		Kingston		Zaria				
		24"	30"	36"	42"	48"	60"	72'	84"	96"
Length to:	36"	515	592	654	750	819	986	1191	1377	1649
	42"	542	622	691	794	867	1045	1265	1459	1742
	48"	564	651	726	833	913	1103	1333	1539	1833
	54"	601	696	777	892	979	1183	1428	1648	1957
	60"	624	725	812	933	1025	1241	1496	1727	2048
	66"	651	759	851	974	1073	1300	1569	1814	2144
	72"	679	794	894	1024	1128	1370	1653	1911	2255
	78"	704	825	929	1065	1176	1429	1723	1993	2348
	84"	727	852	964	1105	1221	1487	1792	2072	2439
	90"	764	898	1015	1165	1288	1567	1886	2182	2563
	96"	790	929	1053	1211	1340	1627	1958	2264	2658
	102"	813	958	1087	1250	1385	1685	2026	2345	2749
108"	841	994	1129	1300	1441	1755	2110	2441	2860	
114"	864	1021	1164	1339	1486	1811	2178	2522	2951	
120"	887	1050	1197	1379	1532	1868	2246	2601	3042	

Galaxy 6

		Kuwada		Mocton		Surroy				
		Winnipeg		Zeffa						
		24"	30"	36"	42"	48"	60"	72'	84"	96"
Length to:	36"	593	690	773	888	975	1181	1427	1650	1963
	42"	629	733	823	948	1043	1266	1528	1768	2094
	48"	661	773	872	1004	1107	1347	1626	1880	2223
	54"	710	830	938	1081	1195	1452	1751	2025	2389
	60"	742	871	988	1137	1259	1534	1848	2138	2517
	66"	777	917	1042	1196	1326	1617	1949	2257	2651
	72"	815	965	1098	1263	1402	1712	2063	2391	2804
	78"	850	1007	1149	1321	1469	1796	2163	2506	2935
	84"	882	1048	1197	1379	1534	1877	2260	2619	3064
	90"	930	1105	1265	1456	1620	1984	2385	2763	3228
	96"	966	1150	1317	1518	1691	2068	2485	2880	3361
	102"	998	1190	1365	1574	1755	2148	2582	2993	3490
108"	1036	1237	1423	1641	1832	2244	2697	3127	3642	
114"	1068	1278	1471	1697	1896	2324	2793	3240	3772	
120"	1102	1318	1519	1754	1961	2405	2890	3352	3901	

* Any orders with a product over 90" width will have an additional oversized fee. See full shipping policy for details.

Material and Characteristics

- Designer Natural Shades are an aesthetic collection of natural woods, bamboos, jutes, grasses and reeds harvested from nature.
- Each season's harvests are a celebration of unique textures, colors and striations that develop in nature.
- Natural materials are subject to variances in color, grain, texture and warpage that are inherent qualities in all-natural fibers.
- These variances are not manufacturing defects. The beauty of Designer Natural Shades lies in the distinctive irregularities of the slats and reeds.

Color Variations

- Even though rigid quality standards are maintained, the factory cannot guarantee exact color matches in each of the collections.
- Variations in color are natural and will be especially visible in lighter colored fibers.
- Variations in color will occur and are not manufacturing defects.
- Over time, the color of Designer Natural Shades will soften in the sun, exposing the beauty in mild tones.
- To avoid color variations that may occur between dye lots, it is highly recommended that multiple shade orders of the same pattern be placed at one time. This will lower the possibility of color variation due to different paints and stains.
- CACO is not responsible for variances in color for orders of the same pattern ordered at different times.
- Availability of colors is subject to change without notice.

Stretching, Shrinking, Cracks

- Woven wood fabric can be affected by temperature and humidity changes, which can shrink the material.
- Shipping and handling may also cause a slight change in shade lengths.
- Note: Material stretching or shrinking may become more noticeable on inside mount shades where exact lengths are more critical.
- Bamboo matchsticks tend to stretch after installation.
- Finished edges of bamboo and large reeds may crack after cutting and assembly due to the inherent property of natural materials.
- Finished shade height may vary in exact dimension fails in the middle of a wide slat.
- Finished shade height may have a tolerance of + or - 1"

Ordering Process

Orders can only be accepted email or fax and submitted using the following order forms: Designer Natural Woven Wood Shade, or Hobbled Valance only. For your convenience, a copy is printed on the last pages of this book. You may also go to cacoinc.com and download a pdf on which your order may be entered, saved and emailed. When faxing it is important to note the number of pages of your order, including the cover sheet to ensure that no pages will be missing. Please fully complete the form, any omission of pertinent information will only delay your orders manufacturing time.

Changes

In the event that you wish to add to your original order, it is possible, as long as it is within 24 hours after the order was placed. You will be required to submit changes in writing and must be signed by a person of authority indicating the items you wish to add or change. No verbal requests can be made. You will need to refer to the original P.O. number and indicate clearly the additions or changes you're requesting. Addresses may not be changed after the 24 hours period.

Cancellations

Cancellations or changes require an immediate response and can only take within 24 hours of order submittal. You must first identify your P.O. number or side mark and then state the cancellation or change. Cancellations must be faxed or emailed in writing only, no verbal requests can be accepted.

Shipping and Handling

Before accepting any shipments, please examine each carton carefully. If shipment shows any signs of mistreatment or damage, i.e., wheel marks, crushed or bent cartons note this on the bill of lading and have the driver sign it and note damage. It is imperative that you count all cartons prior to signing the bill of lading; any shortages must be noted on the bill of lading with the driver's signature. Please open examine products upon receipt and notify CACO of any damages or losses within one week of receipt. We will require that photos of any damage be emailed to customerservice@cacoinc.com.

Defective Merchandise

All manufacturing defects must be reported within one week of receipt of shades. We require photos prior to the return of defective shades prior to repair or replacement.

Repair or Alterations

If a repair or alteration is needed, please contact CACO for more details prior to return for repair. Repairs should be carefully packaged. Products mishandled or received in poor condition will be returned back to the customer.

Warranty, Care and Maintenance

We are proud to offer a three-year warranty for components and one year for products to our customers. Each shade undergoes careful inspection before being sent out to our customers. Under normal and proper use, three-year limited warranty applies such shades are free from defects due to faulty workmanship or materials. This warranty is not applicable to accidents, alteration, abuse, misuse, misapplication or failure to follow instructions or defects due to faulty installation. For claims covered during the warranty period, product will be replaced or repaired free of charge.

Natural conditions such as color variance and fading due to sun exposure, slats / reed warpage from high humidity, as well as stretching and shrinking of shades due to temperature and humidity, are excluded from the warranty. This warranty does not cover liability for loss, damage or injury, direct or consequential, arising out of the use or inability to use the product. Warranty does not cover labor on location, service calls, reinstallation or expenses involved in shipping, packaging and returning merchandise unless authorized.

Care and Maintenance

Woven wood shades are easy to maintain and are extremely durable. Raising and lowering shades periodically aids in reduction of dust accumulation. Or simply vacuum with a soft brush attachment. In high traffic areas, you may want to scotch guard your shades with 3M Scotch Guard spray for added stain protection. The functional lifetime of the operation hardware is far greater than normally needed.

Features & Benefits

FEATURES & BENEFITS

- Honeycomb construction provides superior insulation and energy efficiency.
- No visible cords or cord holes reduces light leaks and adds to the fashionable appeal.
- Fabric available in wide widths to cover large expansive windows with no seams or overlap.
- 100% crisp polyester fabric repels dust and dirt and is easy to clean and maintain.
- Multiple design options and operating systems available to provide the perfect solution for the single homeowner to the busiest family.

FABRICS

Cellular Shades are built with beauty and your comfort in mind, featuring durable, low-maintenance fabrics and a broad spectrum of designer colors, neutrals, and bold hues including specialty fabrics like lux, slubs, crush and printed designs. Cellular Shades are among the most energy-efficient window coverings available. The insular property of cellular fabrics is attributed to its unique construction. The signature candlelight glow and handcrafted feel of the cellular fabric brings world-class elegance to your home, office or retail environment.

VERSATILITY

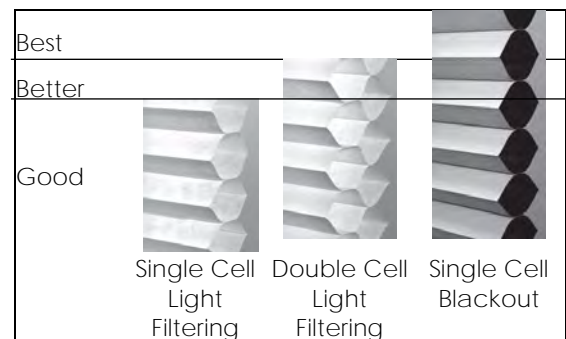
- Create unlimited custom lighting solutions with a full range of opacities
- Light Filtering fabrics feature rich, vibrant color
- Blackout fabrics offer extended light control and privacy

LIGHT FILTERING FABRICS

- Transmit filtered light with no view through the shade
- Provide moderate privacy
- Available in 3/4", 9/16" and 1 1/4" Single Cell, 7/16" Double Cell and 3/4" Cell-in-a-Cell Fabrics

BLACKOUT FABRICS

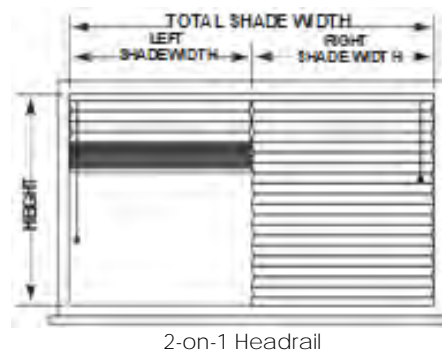
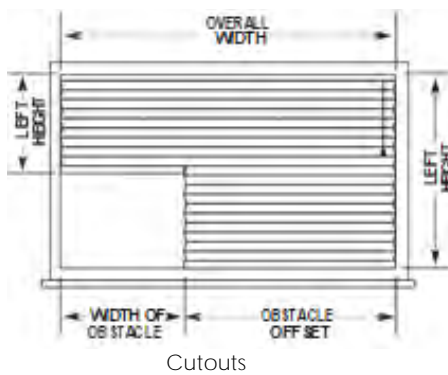
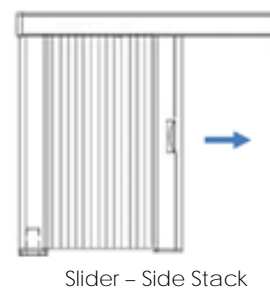
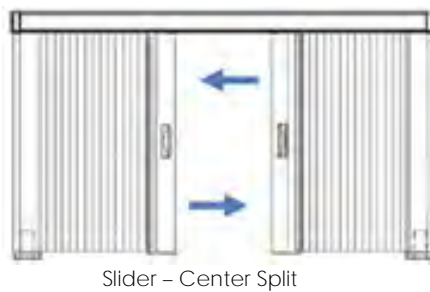
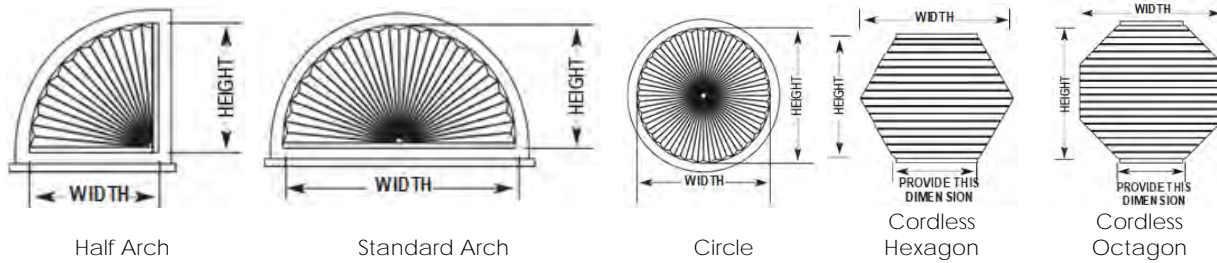
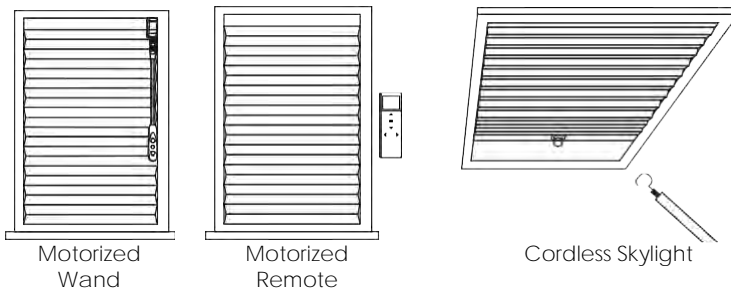
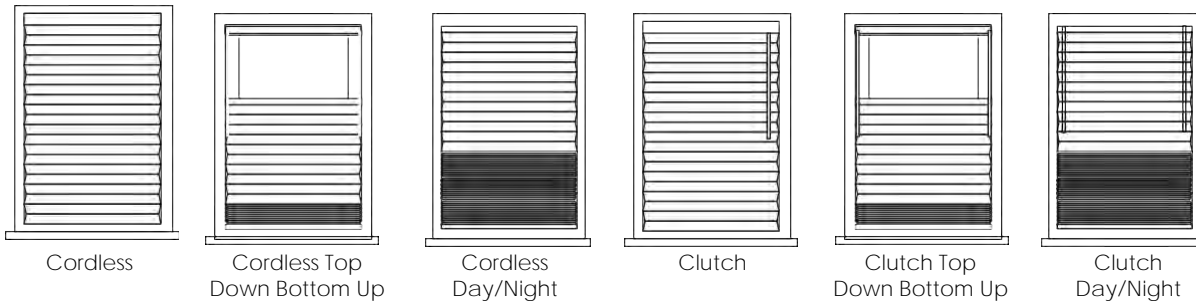
- Blocks 99% of outside light
- Provides complete privacy and light control
- Available in 3/4", 9/16" and 1 1/4" Single Cell



ENERGY EFFICIENCY

Cellular shades are among the most energy-efficient window coverings available. The insular property of cellular fabric is attributed to its unique cellular construction creating a barrier of chambers designed to reduce heat and the damaging effects of UV light. Our premium cellular fabrics are categorized into three simple levels of energy efficiency to help you maximize your budget and the comfort in your home.

Style Options



Boone Collection Cellular Shades

Headrail and Stacking Chart



Cordless shades pictured for headrail and bracket comparison. Additional shade selections will vary from based on components needed for operation. Bottom rails and middle rails will match headrail sizes.

* 9/16" Classic headrail standard. 3/4" Modern upgrade available for \$6.50 net per shade.

* 3/4" Modern headrail standard. 9/16" Classic option available at no charge.

Cell Size	Headrail Size	Mount Type	Clutch	Clutch TDBU	Cordless	Cordless TDBU	Motorization
9/16" or 7/16"	Standard 9/16" Classic	Minimum Mounting Space	7/8"	7/8"	7/8"	7/8"	7/8"
		Minimum Flush Mount	2"	2"	2"	2"	2"
	Upgrade 3/4" Modern	Minimum Mounting Space	1/2"	1/2"	1/2"	1/2"	1/2"
3/4"	Optional 9/16" Classic	Minimum Mounting Space	7/8"	7/8"	7/8"	7/8"	7/8"
		Minimum Flush Mount	2 1/8"	2 1/8"	2 1/8"	2 1/8"	2 1/8"
	Standard 3/4" Modern	Minimum Mounting Space	1/2"	1/2"	1/2"	1/2"	1/2"
1 1/4"	Optional 9/16" Classic	Minimum Mounting Space	7/8"	7/8"	7/8"	7/8"	7/8"
		Minimum Flush Mount	2 1/2"	2 1/2"	2 1/2"	2 1/2"	2 1/2"
	Standard 3/4" Modern	Minimum Mounting Space	1/2"	1/2"	1/2"	1/2"	1/2"
		Minimum Flush Mount	2 5/8"	2 5/8"	2 5/8"	2 5/8"	2 5/8"

Headrail Bracket Quantity	
Shade Width	Quantity
7" - 36"	2
36.1" - 72"	3
72.1" - 96"	4
96.1" - 120"	5
120.1" - 144"	6

Continuous Cord Length	
Shade Height	Length
< 40"	2 feet
40" - 57.9"	3 feet
58" - 72.9"	4 feet
73" - 85.9"	5 feet
86" - 107.9"	6 feet
≥ 108"	8 feet

Stacking Chart: This includes headrail and bottom rail (for corded system)													R Value
Fabric Type		36" Drop	48" Drop	60" Drop	72" Drop	84" Drop	96" Drop	108" Drop	120" Drop	132" Drop	144" Drop		
3/4" Single Cell	Light Filtering	3.26	3.39	3.52	3.68	3.82	3.95	4.11	4.25	4.40	4.55	3.8	
	Blackout	3.20	3.35	3.50	3.65	3.80	3.95	4.10	4.23	4.38	4.51	4.4	
	Linen Print LF	3.39	3.55	3.71	3.86	4.02	4.18	4.34	4.49	4.66	4.81	3.6	
	Linen Print BO	3.30	3.42	3.55	3.67	3.80	3.94	4.06	4.20	4.32	4.45	4.2	
	Bamboo Print LF	3.26	3.39	3.52	3.68	3.82	3.96	4.13	4.26	4.41	4.56	3.8	
	Bamboo Print BO	3.20	3.35	3.50	3.65	3.80	3.95	4.10	4.23	4.38	4.51	4.4	
	Tweed Print LF	3.26	3.39	3.52	3.68	3.82	3.96	4.13	4.26	4.41	4.56	3.8	
	Tweed Print BO	3.20	3.35	3.50	3.65	3.80	3.95	4.10	4.23	4.38	4.51	4.4	
	Smooth LF	3.13	3.25	3.38	3.50	3.63	3.75	3.88	4.00	4.13	4.25	3.7	
	Smooth BO	2.90	2.98	3.06	3.14	3.22	3.30	3.39	3.47	3.56	3.64	4.4	
	LUX Linen LF	3.31	3.53	3.76	3.98	4.21	4.43	4.66	4.88	5.11	5.33	2.8	
	Slub Woven LF	3.48	3.67	3.82	4.01	4.17	4.32	4.48	4.67	4.82	5.01	2.8	
	Whisper Woven LF	3.23	3.36	3.46	3.57	3.68	3.80	3.90	4.02	4.14	4.25	2.7	
	Sheer LF	3.38	3.54	3.72	3.87	4.04	4.18	4.33	4.48	4.65	4.80	2.2	
3/4"	Light Filtering	4.32	4.74	5.16	5.58	6.01	N/A	N/A	N/A	N/A	N/A	4.3	
Cell-In-A-Cell	Blackout	4.14	4.51	4.88	5.25	5.62	N/A	N/A	N/A	N/A	N/A	4.7	
9/16"	Light Filtering	2.88	3.13	3.38	3.68	3.88	4.18	4.38	4.70	4.88	5.20	3.5	
	Blackout	2.69	2.88	3.06	3.25	3.44	3.63	3.81	4.00	4.19	4.38	4.3	
	Linen Print LF	3.00	3.25	3.50	3.75	4.00	4.25	4.50	4.75	5.00	5.25	3.5	
	Slub Woven LF	3.13	3.42	3.71	4.00	4.29	4.58	4.88	5.17	5.46	5.75	2.8	
	Fire Retardant LF	2.80	3.01	3.18	3.35	3.52	3.69	3.86	4.04	4.21	4.38	3.5	
	Fire Retardant BO	2.74	2.91	3.09	3.25	3.39	3.54	3.68	3.83	3.97	4.13	4.3	
1-1/4"	Light Filtering	3.27	3.43	3.61	3.80	3.96	4.15	4.31	4.49	4.65	4.89	3.9	
Single Cell	Blackout	2.95	3.03	3.12	3.21	3.29	3.38	3.46	3.56	3.63	3.76	4.5	
7/16" Double Cell	Light Filtering	3.30	3.70	4.09	4.48	4.88	5.27	5.66	6.05	6.45	6.84	3.6	

to place an order call (800) 552-5278 or fax (866) 926-5836 or email customerservice@cacoinc.com

Standard Features, Surcharges and Size Limitations

Standard Features:

- Inside mount 1/4" standard deduction
- Color coordinated aluminum headrail and bottom rail
- Right control standard
- Standard Cordless module
- 9/16" Classic Headrail standard for 9/16" & 7/16" cell fabrics. 3/4" headrail available for \$24 per shade
Note only Simple Touch Wand and Fabric insert for Top Down Bottom Up shades available on 9/16" headrails.
- 3/4" Modern Headrail standard for 3/4" & 1 1/4" cell fabrics. 9/16" headrail option available at no charge.

Day/Night Shade Features:

- Aluminum headrail and bottom rail
- Color of top rail will match top fabric, middle and bottom rail will match bottom fabric
- Light filtering product on top area, blackout fabric on bottom area
- Standard Cordless module
- Maximum size is 72" x 72" for both loop control and cordless shades

Skylight Shade Features:

- Color coordinated middle rail with white (001) headrail and bottom rail.
- Side rails are available in the color cotton white (001) only
- Not available in 1 1/4" or Cell-in-a-Cell Fabrics
- Skylight shade can only be mounted inside
- Finished size must be provided, no deductions will be taken by manufacturer
- Headrail including endcaps will be 5/8" less than finished size
- Skylight poles are available in two options, ordered separately
3ft – 5ft \$82 retail
5ft – 9ft \$105 retail
- Automate Motorization available

Additional Shade Style Surcharges

- | | |
|---|---|
| • Top Down Bottom Up (Cordless or Clutch) | Retail
\$85 per shade |
| • Skylight | \$96 per shade |
| • Day/Night Shade – Two colors with top and bottom | Price as two shades & add together |
| • Tile Cutout – (No warranty with cutouts) | \$67 per side |
| • 2-on-1 or 3-on-1 Headrail (120" Maximum width) | Price as individual shades & add together |
| • 3/4" Modern headrail with 9/16" or 7/16" cell fabric choice | \$26 per shade |

Light Blockers (only available in White)

- Top Light Blocker (one piece per shade cut to the shade width with no deduction) \$9 per ft
- Side Light Blockers (2 pieces per shade cut the shade height with no deduction) \$12 per ft

System Upgrade Surcharges

Width to:	24	30	36	42	48	54	60	66	72	84	96	108	120	132	144
Non-Moveable Arch, Quarter Arch or									10%						
Moveable Trapezoid or Octagon									50%						
Slider – Left Stack and Right Stack									100%						
Slider Center Split									120%						

Size Limitations

	Cordless	Clutch	Clutch TDBU	Clutch Day/Night	TDBU Cordless	Day/Night	Day/Night Cordless	Skylight
Minimum Width	12"	12"	23"	23"	19"	12"	19"	16"
Minimum Length	10"	10"	10"	10"	10"	10"	10"	10"
Maximum Width	96"	120"	120"	72"	96"	72"	72"	60"
Maximum Height	96"	120"	120"	72"	84"	72"	72"	60"

9/16", 7/16", 1 1/4" Fabric Selections and color Components Coordination

9/16" Single Cell		
Solid Light Filtering		
Number	Description	Rail Color
PS310-001	Cotton	001
PS310-002	Snow White	002
PS310-003	Onion	006
PS310-004	Alabaster	006
PS310-005	Cream	006
PS310-006	Fawn	006
PS310-007	Biscuit	008
PS310-008	Pongee	008
PS310-009	Ocher	010
PS310-010	Tan	010
PS310-011	Terra Cotta	326
PS310-012	Cocoa	012
PS310-013	Spring Green	002
PS310-014	Water Green	015
PS310-015	Avocado	015
PS310-016	Roseate	016
PS310-019	Agate Red	020
PS310-020	Bordeaux	020
PS310-021	Gray Sheen	091
PS310-022	Marine Blue	091
PS310-023	Royal Gray	023
PS310-024	Jean Blue	023
PS310-025	Black	025
PS310-026	Wisteria	091
PS310-030	Anthracite	025
PS310-069	White Dove	001
PS310-070	Winter White	002
PS310-326	Dark Chocolate	326
PS310-346	Antique Pewter	025
PS310-470	Slate	025

9/16" Single Cell		
Linen Print Light Filtering		
Number	Description	Rail Color
PS331-012	Cocoa	012
PS331-032	Sand	006
PS331-034	Gray	091
PS331-326	Dark Chocolate	326
PS331-514	Misty Gray	002

9/16" Single Cell		
Slub Woven Light Filtering		
Number	Description	Rail Color
PS375-001	Cotton	001
PS375-004	Alabaster	006
PS375-012	Cocoa	012
PS375-012	Gray Sheen	091
PS375-326	Dark Chocolate	326

9/16" Single Cell		
Flame Retardant Light Filtering		
Number	Description	Rail Color
PS310-001FR	Cotton	001
PS310-006FR	Fawn	006
PS310-008FR	Pongee	008
PS310-070FR	Winter White	002

9/16" Single Cell		
Flame Retardant Blackout		
Number	Description	Rail Color
PS320-001FR	Cotton	001
PS320-006FR	Fawn	006
PS320-008FR	Pongee	008
PS320-070FR	Winter White	002

7/16" Double Cell		
Solid Light Filtering		
Number	Description	Rail Color
PX3A0-001	Cotton	001
PX3A0-002	Snow White	002
PX3A0-004	Alabaster	006
PX3A0-006	Fawn	006
PX3A0-008	Pongee	008
PX3A0-009	Ocher	010
PX3A0-010	Tan	010
PX3A0-020	Bordeaux	020
PX3A0-021	Gray Sheen	091
PX3A0-069	White Dove	001
PX3A0-070	Winter White	002
PX3A0-023	Royal Gray	023
PX3A0-025	Black	025
PX3A0-326	Dark Chocolate	326

1 1/4" Single Cell		
Light Filtering		
Number	Description	Rail Color
PS610-001	Cotton	001
PS610-006	Fawn	006
PS610-021	Gray Sheen	091

1 1/4" Single Cell		
Blackout		
Number	Description	Rail Color
PS620-001	Cotton	001
PS620-006	Fawn	006
PS620-021	Gray Sheen	091

9/16" Single Cell		
Solid Blackout		
Number	Description	Rail Color
PS320-001	Cotton	001
PS320-002	Snow White	002
PS320-003	Onion	006
PS320-004	Alabaster	006
PS320-006	Fawn	006
PS320-008	Pongee	008
PS320-009	Ocher	010
PS320-012	Cocoa	012
PS320-015	Avocado	015
PS320-020	Bordeaux	020
PS320-021	Gray Sheen	091
PS320-024	Jean Blue	023
PS320-025	Black	025
PS320-069	White Dove	001
PS320-070	Winter White	002
PS320-326	Dark Chocolate	326
PS320-346	Antique Pewter	025
PS320-470	Slate	025

3/4" Fabric Selections and color Components Coordination

3/4" Single Cell		
Solid Light Filtering		
Number	Description	Rail Color
PS410-001	Cotton	001
PS410-002	Snow White	002
PS410-003	Onion	006
PS410-004	Alabaster	006
PS410-005	Cream	006
PS410-006	Fawn	006
PS410-007	Biscuit	008
PS410-008	Pongee	008
PS410-009	Ocher	010
PS410-010	Tan	010
PS410-011	Terra Cotta	326
PS410-012	Cocoa	012
PS410-013	Spring Green	002
PS410-014	Water Green	015
PS410-015	Avocado	015
PS410-016	Roseate	016
PS410-019	Agate Red	020
PS410-020	Bordeaux	020
PS410-021	Gray Sheen	091
PS410-022	Marine Blue	091
PS410-023	Royal Gray	023
PS410-024	Jean Blue	023
PS410-025	Black	025
PS410-026	Wisteria	091
PS410-030	Anthracite	025
PS410-069	White Dove	001
PS410-070	Winter White	002
PS410-326	Dark Chocolate	025
PS410-346	Antique Pewter	025
PS410-470	Slate	025
PS410-519	Stone	012
PS410-786	Greige	002
PS410-788	Pale Slate	091

3/4" Single Cell		
Solid Blackout		
Number	Description	Rail Color
PS420-001	Cotton	001
PS420-002	Snow White	002
PS420-003	Onion	006
PS420-004	Alabaster	006
PS420-006	Fawn	006
PS420-008	Pongee	008
PS420-009	Ocher	010
PS420-012	Cocoa	012
PS420-015	Avocado	015
PS420-020	Bordeaux	020
PS420-021	Gray Sheen	091
PS420-024	Jean Blue	023
PS420-025	Black	025
PS420-030	Anthracite	025
PS420-069	White Dove	001
PS420-070	Winter White	002
PS420-326	Dark Chocolate	326
PS420-346	Antique Pewter	025
PS420-326	Dark Chocolate	326
PS420-470	Slate	025

3/4" Single Cell		
Smooth Light Filtering		
Number	Description	Rail Color
PS43C-001	Cotton	001
PS43C-002	Snow White	002
PS43C-005	Cream	006
PS43C-070	Winter White	006

3/4" Single Cell		
Smooth Blackout		
Number	Description	Rail Color
PS44C-002	Snow White	002
PS44C-005	Cream	006
PS44C-021	Gray Sheen	001
PS44C-070	Winter White	001

3/4" Single Cell		
Linen Print Light Filtering		
Number	Description	Rail Color
PS431-012	Cocoa	012
PS431-032	Sand	006
PS431-034	Gray	091
PS431-326	Dark Chocolate	326
PS431-514	Misty Gray	002

3/4" Single Cell		
Linen Print Black Out		
Number	Description	Rail Color
PS441-012	Cocoa	012
PS441-032	Sand	006
PS441-034	Gray	091
PS441-326	Dark Chocolate	326
PS441-514	Misty Gray	002

3/4" Single Cell		
Bamboo Print Light Filtering		
Number	Description	Rail Color
PS41RA-023	Royal Gray	091
PS41RA-346	Antique Pewter	091
PS41RA-514	Misty Gray	002
PS41RA-519	Stone	012
PS41RA-583	Dark Gray Sheen	091

3/4" Single Cell		
Bamboo Print Blackout		
Number	Description	Rail Color
PS42RA-023	Royal Gray	091
PS42RA-346	Antique Pewter	091
PS42RA-514	Misty Gray	002
PS42RA-519	Stone	012
PS42RA-583	Dark Gray Sheen	091

3/4" Single Cell		
Tweed Print Light Filtering		
Number	Description	Rail Color
PS413-069	White Dove	001
PS413-004	Alabaster	006
PS413-514	Misty Gray	002
PS413-583	Dark Gray Sheen	091
PS413-344	Pebble	025

3/4" Single Cell		
Tweed Print Blackout		
Number	Description	Rail Color
PS423-069	White Dove	001
PS423-004	Alabaster	006
PS423-514	Misty Gray	002
PS423-583	Dark Gray Sheen	091
PS423-344	Pebble	025

3/4" Cell-in-A-Cell		
Light Filtering		
Number	Description	Rail Color
PS41SS-001	Cotton	001
PS41SS-763	Taupe	002
PS41SS-764	Beige	002
PS41SS-765	Ivory	002
PS41SS-766	Classic Gray	091
PS41SS-823	Blue Wind	091
PS41SS-824	Gray Storm	091
PS41SS-025	Black	025
PS41SS-519	Bamboo Stone	012
PS41SS-346	Bamboo Antique	091

3/4" Cell-in-A-Cell		
Blackout		
Number	Description	Rail Color
PS42SS-001	Cotton	001
PS42SS-763	Taupe	002
PS42SS-764	Beige	002
PS42SS-765	Ivory	002
PS42SS-766	Classic Gray	091
PS42SS-823	Blue Wind	091
PS42SS-824	Gray Storm	091
PS42SS-025	Black	025
PS42SS-519	Bamboo Stone	012
PS42SS-346	Bamboo Antique	091

3/4" Single Cell		
Sheer Light Filtering		
Number	Color Description	Rail Color
PS360-001	Cotton	001
PS360-004	Alabaster	006

3/4" Single Cell		
LUX Linen Light Filtering		
Number	Description	Rail Color
PS47B-901	Porcelain	001
PS47B-919	Camel	006
PS47B-921	Stonington Gray	091
PS47B-930	Charcoal	091
PS47B-992	Hazelnut	012

3/4" Single Cell		
Slub Woven Light Filtering		
Number	Description	Rail Color
PS47S-001	Cotton	001
PS47S-004	Alabaster	006
PS47S-012	Cocoa	012
PS47S-021	Gray Sheen	091
PS47S-326	Dark Chocolate	326

3/4" Single Cell		
Whisper Woven Light Filtering		
Number	Description	Rail Color
PS47KO-001	Cotton	001
PS47KO-006	Fawn	006
PS47KO-583	Feather Gray	091
PS47KO-823	Blue Wind	091
PS47KO-824	Gray Storm	091

Color Availability

Cellular Fabrication Selection and Color Coordination																					
Fabric Color No.	Fabric Color Name	9/16"						3/4"										7/16"		1 1/4"	
		Single Cell LF	Single Cell BO	Single Cell Linen Print LF	Single Cell Slub Woven LF	Single Cell Fire Retardant LF & BO	Single Cell LF	Single Cell BO	Single Cell Bamboo LF & BO	Single Cell Smooth BO	Single Cell Linen Print LF & BO	Single Cell Tweed Print LF & BO	Single Cell Slub Woven LF	Single Cell LUX Linen LF	Single Cell Whisper Woven LF	Single Cell Sheer LF	Cell-In-A-Cell LF & BO	Double Cell LF	Single Cell LF	Single Cell BO	
001	Cotton	Yes	Yes	n/a	Yes	Yes	Yes	Yes	n/a	n/a	n/a	n/a	Yes	n/a	Yes	Yes	Yes	Yes	Yes	Yes	
002	Snow White	Yes	Yes	n/a	n/a	n/a	Yes	Yes	n/a	Yes	n/a	n/a	n/a	n/a	n/a	n/a	n/a	Yes	n/a	n/a	
003	Onion	Yes	Yes	n/a	n/a	n/a	Yes	Yes	n/a	n/a	n/a	n/a	n/a	n/a	n/a	n/a	n/a	n/a	n/a	n/a	
004	Alabaster	Yes	Yes	n/a	Yes	n/a	Yes	Yes	n/a	n/a	n/a	Yes	Yes	n/a	n/a	Yes	n/a	Yes	n/a	n/a	
005	Cream	Yes	n/a	n/a	n/a	n/a	Yes	n/a	n/a	Yes	n/a	n/a	n/a	n/a	n/a	n/a	n/a	Yes	n/a	n/a	
006	Fawn	Yes	Yes	n/a	n/a	Yes	Yes	Yes	n/a	n/a	n/a	n/a	n/a	n/a	Yes	n/a	n/a	Yes	Yes	Yes	
007	Biscuit	Yes	n/a	n/a	n/a	n/a	Yes	n/a	n/a	n/a	n/a	n/a	n/a	n/a	n/a	n/a	n/a	Yes	n/a	n/a	
008	Pongee	Yes	Yes	n/a	n/a	Yes	Yes	Yes	n/a	n/a	n/a	n/a	n/a	n/a	n/a	n/a	n/a	Yes	n/a	n/a	
009	Ocher	Yes	Yes	n/a	n/a	n/a	Yes	Yes	n/a	n/a	n/a	n/a	n/a	n/a	n/a	n/a	n/a	Yes	n/a	n/a	
010	Tan	Yes	n/a	n/a	n/a	n/a	Yes	n/a	n/a	n/a	n/a	n/a	n/a	n/a	n/a	n/a	n/a	Yes	n/a	n/a	
011	Terra Cotta	Yes	n/a	n/a	n/a	n/a	Yes	n/a	n/a	n/a	n/a	n/a	n/a	n/a	n/a	n/a	n/a	n/a	n/a	n/a	
012	Cocoa	Yes	Yes	Yes	Yes	n/a	Yes	Yes	n/a	n/a	Yes	n/a	Yes	n/a	n/a	n/a	n/a	Yes	n/a	n/a	
013	Spring Green	Yes	n/a	n/a	n/a	n/a	Yes	n/a	n/a	n/a	n/a	n/a	n/a	n/a	n/a	n/a	n/a	n/a	n/a	n/a	
014	Water Green	Yes	n/a	n/a	n/a	n/a	Yes	Yes	n/a	n/a	n/a	n/a	n/a	n/a	n/a	n/a	n/a	n/a	n/a	n/a	
015	Avocado	Yes	Yes	n/a	n/a	n/a	Yes	n/a	n/a	n/a	n/a	n/a	n/a	n/a	n/a	n/a	n/a	n/a	n/a	n/a	
016	Roseate	Yes	n/a	n/a	n/a	n/a	Yes	n/a	n/a	n/a	n/a	n/a	n/a	n/a	n/a	n/a	n/a	Yes	n/a	n/a	
019	Agate Red	Yes	n/a	n/a	n/a	n/a	Yes	n/a	n/a	n/a	n/a	n/a	n/a	n/a	n/a	n/a	n/a	n/a	n/a	n/a	
020	Bordeaux	Yes	Yes	n/a	n/a	n/a	Yes	Yes	n/a	n/a	n/a	n/a	n/a	n/a	n/a	n/a	n/a	Yes	n/a	n/a	
021	Gray Sheen	Yes	Yes	n/a	Yes	n/a	Yes	Yes	n/a	Yes	n/a	n/a	Yes	n/a	n/a	n/a	n/a	Yes	Yes	Yes	
022	Marine Blue	Yes	n/a	n/a	n/a	n/a	Yes	n/a	n/a	n/a	n/a	n/a	n/a	n/a	n/a	n/a	n/a	n/a	n/a	n/a	
023	Royal Gray	Yes	n/a	n/a	n/a	n/a	Yes	n/a	Yes	n/a	n/a	n/a	n/a	n/a	n/a	n/a	n/a	Yes	n/a	n/a	
024	Jean Blue	Yes	Yes	n/a	n/a	n/a	Yes	Yes	n/a	n/a	n/a	n/a	n/a	n/a	n/a	n/a	n/a	Yes	n/a	n/a	
025	Black	Yes	Yes	n/a	n/a	n/a	Yes	Yes	n/a	n/a	n/a	n/a	n/a	n/a	n/a	n/a	Yes	Yes	n/a	n/a	
026	Wisteria	Yes	n/a	n/a	n/a	n/a	Yes	n/a	n/a	n/a	n/a	n/a	n/a	n/a	n/a	n/a	n/a	n/a	n/a	n/a	
030	Anthracite	Yes	n/a	n/a	n/a	n/a	Yes	Yes	n/a	n/a	n/a	n/a	n/a	n/a	n/a	n/a	n/a	n/a	n/a	n/a	
032	Sand	n/a	n/a	Yes	n/a	n/a	n/a	n/a	n/a	n/a	Yes	n/a	n/a	n/a	n/a	n/a	n/a	n/a	n/a	n/a	
034	Gray	n/a	n/a	Yes	n/a	n/a	n/a	n/a	n/a	Yes	n/a	n/a	n/a	n/a	n/a	n/a	n/a	n/a	n/a	n/a	
069	White Dove	Yes	Yes	n/a	n/a	n/a	Yes	Yes	n/a	n/a	n/a	Yes	n/a	n/a	n/a	n/a	n/a	Yes	n/a	n/a	
070	Winter White	Yes	Yes	n/a	n/a	Yes	Yes	Yes	n/a	Yes	n/a	n/a	n/a	n/a	n/a	n/a	n/a	Yes	n/a	n/a	
326	Dark Chocolate	Yes	Yes	Yes	Yes	n/a	Yes	Yes	n/a	n/a	Yes	n/a	Yes	n/a	n/a	n/a	n/a	Yes	n/a	n/a	
344	Pebble	n/a	n/a	n/a	n/a	n/a	n/a	n/a	n/a	n/a	Yes	n/a	n/a	n/a	n/a	n/a	n/a	n/a	n/a	n/a	
346	Antique Pewter	n/a	n/a	n/a	n/a	n/a	Yes	Yes	Yes	n/a	n/a	n/a	n/a	n/a	n/a	Yes	n/a	n/a	n/a	n/a	
470	Slate	Yes	Yes	n/a	n/a	n/a	Yes	Yes	n/a	n/a	n/a	n/a	n/a	n/a	n/a	n/a	n/a	n/a	n/a	n/a	
514	Misty Gray	n/a	n/a	Yes	n/a	n/a	n/a	n/a	Yes	n/a	Yes	Yes	n/a	n/a	n/a	n/a	n/a	n/a	n/a	n/a	
519	Stone	n/a	n/a	n/a	n/a	n/a	Yes	n/a	Yes	n/a	n/a	n/a	n/a	n/a	n/a	Yes	n/a	n/a	n/a	n/a	
583	Dark Grey Sheen	n/a	n/a	n/a	n/a	n/a	n/a	n/a	Yes	n/a	n/a	Yes	n/a	n/a	Yes	n/a	n/a	n/a	n/a	n/a	
763	Taupe	n/a	n/a	n/a	n/a	n/a	n/a	n/a	n/a	n/a	n/a	n/a	n/a	n/a	n/a	Yes	n/a	n/a	n/a	n/a	
764	Beige	n/a	n/a	n/a	n/a	n/a	n/a	n/a	n/a	n/a	n/a	n/a	n/a	n/a	n/a	Yes	n/a	n/a	n/a	n/a	
765	Ivory	n/a	n/a	n/a	n/a	n/a	n/a	n/a	n/a	n/a	n/a	n/a	n/a	n/a	n/a	Yes	n/a	n/a	n/a	n/a	
766	Classic Gray	n/a	n/a	n/a	n/a	n/a	n/a	n/a	n/a	n/a	n/a	n/a	n/a	n/a	n/a	Yes	n/a	n/a	n/a	n/a	
786	Greige	n/a	n/a	n/a	n/a	n/a	Yes	n/a	n/a	n/a	n/a	n/a	n/a	n/a	n/a	n/a	n/a	n/a	n/a	n/a	
788	Pale Slate	n/a	n/a	n/a	n/a	n/a	Yes	n/a	n/a	n/a	n/a	n/a	n/a	n/a	n/a	n/a	n/a	n/a	n/a	n/a	
823	Blue Wind	n/a	n/a	n/a	n/a	n/a	n/a	n/a	n/a	n/a	n/a	n/a	n/a	Yes	n/a	Yes	n/a	Yes	n/a	n/a	
824	Gray Storm	n/a	n/a	n/a	n/a	n/a	n/a	n/a	n/a	n/a	n/a	n/a	n/a	Yes	n/a	Yes	n/a	n/a	n/a	n/a	
901	Porcelain	n/a	n/a	n/a	n/a	n/a	n/a	n/a	n/a	Yes	n/a	n/a	Yes	n/a	n/a	n/a	n/a	n/a	n/a	n/a	
919	Camel	n/a	n/a	n/a	n/a	n/a	n/a	n/a	n/a	Yes	n/a	n/a	Yes	n/a	n/a	n/a	n/a	n/a	n/a	n/a	
921	Stonington Gray	n/a	n/a	n/a	n/a	n/a	n/a	n/a	n/a	Yes	n/a	n/a	Yes	n/a	n/a	n/a	n/a	n/a	n/a	n/a	
930	Charcoal	n/a	n/a	n/a	n/a	n/a	n/a	n/a	n/a	Yes	n/a	n/a	Yes	n/a	n/a	n/a	n/a	n/a	n/a	n/a	
992	Hazelnut	n/a	n/a	n/a	n/a	n/a	n/a	n/a	n/a	Yes	n/a	n/a	Yes	n/a	n/a	n/a	n/a	n/a	n/a	n/a	

Price Groups by Fabric Styles

Price Group by Fabric Type				
Cell Size	Cell Type	Filter	Style	Price Group
7/16"	Double Cell	Light Filtering	Light Filtering	4
9/16"	Single Cell	Light Filtering	Linen Print	1
			Light Filtering	2
			Flame Retardant	5
		Blackout	Slub Woven	9
			Blackout	6
3/4"	Single Cell	Light Filtering	Flame Retardant	9
			Smooth	1
			Linen Print	2
			Light Filtering	3
			Bamboo Print	3
			Tweed Print	3
			Whisper Woven	8
			Sheer	8
			Slub Woven	9
			Lux Linen	9
	Cell-in-a-Cell	Blackout	Smooth	5
			Linen Print	6
			Blackout	7
			Bamboo Print	7
1 1/4"	Single Cell	Light Filtering	Tweed Print	7
			Light Filtering	8
		Blackout	Blackout	10
			Blackout	7

Fabric Type by Price Group				
Cell Size	Cell Type	Filter	Style	Price Group
9/16"	Single Cell	Light Filtering	Linen Print	1
3/4"	Single Cell	Light Filtering	Smooth	1
9/16"	Single Cell	Light Filtering	Light Filtering	2
3/4"	Single Cell	Light Filtering	Linen Print	2
3/4"	Single Cell	Light Filtering	Light Filtering	3
3/4"	Single Cell	Light Filtering	Bamboo Print	3
3/4"	Single Cell	Light Filtering	Tweed Print	3
1 1/4"	Single Cell	Light Filtering	Light Filtering	3
7/16"	Double Cell	Light Filtering	Light Filtering	4
9/16"	Single Cell	Light Filtering	Flame Retardant	5
3/4"	Single Cell	Blackout	Smooth	5
9/16"	Single Cell	Blackout	Blackout	6
3/4"	Single Cell	Blackout	Linen Print	6
3/4"	Single Cell	Blackout	Blackout	7
3/4"	Single Cell	Blackout	Bamboo Print	7
3/4"	Single Cell	Blackout	Tweed Print	7
1 1/4"	Single Cell	Blackout	Blackout	7
3/4"	Single Cell	Light Filtering	Whisper Woven	8
3/4"	Single Cell	Light Filtering	Sheer	8
3/4"	Cell-in-a-Cell	Light Filtering	Light Filtering	8
9/16"	Single Cell	Light Filtering	Slub Woven	9
9/16"	Single Cell	Blackout	Flame Retardant	9
3/4"	Single Cell	Light Filtering	Slub Woven	9
3/4"	Single Cell	Light Filtering	Lux Linen	9
3/4"	Cell-in-a-Cell	Blackout	Blackout	10

Shade Pricing

Group 1

• 9/16" Single Cell Light Filtering Linen Print

• 3/4" Single Cell Light Filtering Smooth

Width to:	24	30	36	42	48	54	60	66	72	84	96	108	120	132	144
Length to: 36	156	180	205	232	255	287	313	339	369	426	481	538	594	651	705
42	167	194	224	254	281	314	345	377	407	471	536	596	659	723	784
48	179	209	239	274	302	341	373	410	444	513	582	651	722	792	860
54	196	229	264	298	334	373	411	450	488	564	641	715	793	869	944
60	210	246	287	323	358	405	444	487	526	608	694	776	857	940	1022
66	227	265	307	347	387	435	477	523	567	656	747	833	927	1013	1103
72	240	281	328	372	415	465	513	562	607	701	801	894	991	1087	1182
78	253	297	344	392	444	494	546	597	649	750	854	953	1056	1158	1260
84	263	312	364	414	466	519	573	628	680	785	897	1004	1116	1224	1332
90	276	329	382	436	490	549	604	662	722	834	948	1064	1179	1293	1408
96	288	342	398	455	513	573	634	696	754	875	995	1114	1236	1357	1477
108	313	372	435	498	562	629	696	760	828	960	1093	1223	1360	1490	1622
120	335	403	471	543	613	686	756	831	901	1044	1190	1332	1481	1623	1769
132	357	433	506	583	660	739	818	895	972	1131	1287	1442	1601	1754	1910
144	382	462	544	626	709	794	878	962	1046	1215	1383	1552	1724	1887	2057

Group 2

• 9/16" Single Cell Light Filtering

• 3/4" Single Cell Light Filtering Linen Print

Width to:	24	30	36	42	48	54	60	66	72	84	96	108	120	132	144
Length to: 36	176	203	232	263	291	327	356	385	418	484	548	608	676	740	801
42	190	221	253	290	319	357	394	426	463	537	606	677	750	822	890
48	203	237	272	311	343	387	424	465	504	583	660	740	822	901	978
54	221	259	298	339	379	424	466	513	553	642	727	813	903	987	1072
60	239	279	324	368	408	460	504	552	600	694	785	881	973	1068	1163
66	257	300	347	395	441	495	542	594	645	746	849	947	1053	1151	1253
72	274	318	371	423	471	527	582	637	691	799	911	1015	1128	1234	1344
78	288	339	392	445	504	562	621	679	737	853	968	1084	1201	1319	1432
84	298	355	414	471	529	590	651	713	774	894	1019	1141	1269	1390	1513
90	313	373	434	495	558	624	686	753	821	948	1076	1208	1339	1469	1598
96	328	389	453	517	583	651	721	788	857	993	1131	1266	1407	1541	1679
108	356	423	495	565	639	714	789	865	940	1090	1241	1388	1545	1693	1844
120	382	459	539	616	696	780	860	943	1024	1188	1352	1515	1683	1846	2009
132	406	490	575	662	752	839	929	1016	1106	1284	1463	1638	1820	1994	2171
144	434	525	618	711	806	904	998	1093	1190	1381	1571	1763	1957	2144	2337

Group 3

• 3/4" Single Cell Light Filtering

• 3/4" Single Cell Light Filtering Bamboo Print

• 1 1/4" Single Cell Light Filtering

• 3/4" Single Cell Light Filtering Tweed Print

Width to:	24	30	36	42	48	54	60	66	72	84	96	108	120	132	144
Length to: 36	190	218	251	286	314	351	384	417	452	522	591	657	729	799	865
42	206	238	274	313	345	385	425	463	500	579	656	732	810	887	962
48	218	256	293	336	372	419	460	502	545	629	714	799	886	971	1054
54	238	280	323	368	408	459	503	554	597	691	785	878	973	1066	1157
60	258	301	350	396	440	497	545	597	648	748	851	952	1052	1153	1255
66	277	324	376	426	476	533	584	643	696	804	917	1023	1138	1243	1353
72	294	344	400	457	510	569	629	688	746	863	984	1097	1217	1331	1452
78	316	374	432	490	555	617	684	748	812	938	1067	1193	1324	1452	1578
84	330	391	455	519	583	650	719	785	853	984	1124	1256	1398	1532	1668
90	344	412	478	545	613	687	756	830	904	1045	1187	1329	1475	1618	1763
96	359	428	500	569	643	719	793	868	943	1094	1246	1395	1548	1698	1849
108	392	465	545	622	702	785	869	953	1036	1200	1368	1530	1701	1865	2031
120	420	504	593	679	767	859	948	1038	1128	1307	1490	1671	1853	2033	2213
132	446	541	634	730	828	923	1023	1121	1219	1413	1612	1805	2006	2197	2393
144	477	578	680	784	888	995	1098	1203	1308	1521	1730	1943	2158	2363	2575

*Notes: 2-on-1 and 3-on-1 headrail option is strongly recommended for all blinds measuring 96" or more in width or height.

* Any orders with a product over 90" width will have an additional oversized fee. See full shipping policy for details.

Shade Pricing

Group 4

• 7/16" Double Cell Light Filtering

Width to:	24	30	36	42	48	54	60	66	72	84	96	108	120	132	144
Length to: 36	207	236	272	307	365	375	412	448	484	557	631	700	775	843	914
42	227	260	297	342	374	422	461	504	543	624	708	788	874	950	1032
48	235	277	318	365	402	448	495	540	588	674	765	855	945	1033	1121
54	257	298	344	394	440	490	540	589	637	733	833	930	1032	1122	1221
60	281	327	379	426	477	536	587	645	696	804	911	1017	1126	1213	1337
66	302	354	408	463	519	581	639	697	756	876	990	1106	1225	1340	1457
72	320	372	433	491	552	617	677	740	805	927	1054	1180	1302	1427	1546
78	342	405	469	536	603	670	737	806	876	1010	1148	1281	1422	1555	1689
84	359	426	495	567	635	709	781	857	927	1071	1216	1361	1510	1651	1794
90	377	448	523	597	673	752	828	908	986	1139	1294	1447	1603	1756	1909
96	394	471	546	627	708	788	872	954	1035	1198	1365	1526	1691	1850	2012
108	428	510	596	685	775	865	952	1045	1136	1314	1489	1670	1852	2027	2208
120	469	559	658	757	857	957	1054	1156	1255	1452	1655	1852	2053	2249	2448
132	506	610	719	827	936	1046	1157	1266	1377	1596	1818	2035	2258	2468	2688
144	537	651	767	882	1000	1119	1235	1353	1477	1712	1943	2177	2417	2648	2882

Group 5

• 3/4" Single Cell Blackout Smooth

• 9/16" Single Cell Light Filtering Flame Retardant

Width to:	24	30	36	42	48	54	60	66	72	84	96	108	120	132	144
Length to: 36	224	255	291	327	358	398	436	474	513	590	671	748	827	902	979
42	244	278	317	359	397	445	484	526	570	659	748	833	923	1010	1146
48	263	305	350	397	440	491	539	591	639	740	841	939	1044	1142	1240
54	289	332	382	436	484	540	593	649	700	813	923	1033	1146	1253	1364
60	316	356	412	471	522	583	637	702	762	882	1004	1119	1243	1365	1482
66	335	382	441	503	562	628	688	755	819	948	1080	1211	1343	1466	1598
72	357	412	478	546	609	683	748	823	890	1033	1180	1322	1464	1604	1747
78	380	435	506	579	651	726	799	878	949	1101	1255	1407	1562	1712	1865
84	396	458	536	613	686	767	842	928	1006	1170	1330	1490	1658	1819	1981
90	419	488	570	651	733	819	901	991	1075	1251	1423	1598	1776	1951	2128
96	434	510	596	684	768	860	947	1042	1132	1314	1502	1684	1872	2058	2244
108	471	554	652	751	847	948	1043	1148	1247	1450	1657	1859	2067	2272	2479
120	506	604	709	816	947	1032	1140	1254	1363	1584	1807	2036	2263	2490	2775
132	549	654	775	893	1036	1131	1250	1371	1493	1737	1985	2229	2483	2808	3200
144	585	701	828	958	1125	1220	1347	1476	1609	1871	2138	2403	2727	3117	3561

Group 6

• 9/16" Single Cell Blackout

• 3/4" Single Cell Blackout Linen Print

Width to:	24	30	36	42	48	54	60	66	72	84	96	108	120	132	144
Length to: 36	242	278	316	354	390	434	473	516	558	642	729	813	900	980	1064
42	266	301	344	391	433	484	525	571	620	717	814	906	1006	1097	1246
48	287	332	382	433	478	536	584	643	696	803	915	1021	1135	1240	1347
54	313	360	415	473	526	585	645	706	762	882	1006	1122	1246	1362	1484
60	343	386	447	512	567	634	695	763	828	960	1091	1217	1351	1484	1610
66	364	414	479	546	609	683	748	821	890	1031	1174	1318	1458	1594	1738
72	389	446	521	593	663	740	814	894	968	1124	1281	1435	1592	1745	1898
78	413	471	551	629	708	788	868	953	1032	1197	1365	1530	1698	1859	2027
84	431	497	582	667	744	834	917	1010	1093	1273	1448	1620	1802	1977	2155
90	455	529	620	708	796	890	979	1076	1170	1360	1548	1738	1931	2119	2313
96	471	553	649	743	835	936	1030	1132	1231	1428	1633	1830	2036	2238	2440
108	513	604	709	816	920	1030	1134	1247	1357	1577	1800	2021	2247	2471	2694
120	551	655	773	886	1030	1122	1238	1363	1482	1722	1965	2213	2458	2705	3017
132	597	711	840	970	1126	1229	1359	1491	1622	1887	2158	2423	2700	3053	3477
144	636	763	901	1040	1223	1325	1464	1604	1748	2034	2323	2615	2964	3387	3871

*Notes: 2-on-1 and 3-on-1 headrail option is strongly recommended for all blinds measuring 96" or more in width or height.

* Any orders with a product over 90" width will have an additional oversized fee. See full shipping policy for details

Shade Pricing

Group 7

- 3/4" Single Cell Blackout
- 1 1/4" Single Cell Blackout

- 3/4" Single Cell Blackout Bamboo Print
- 3/4" Single Cell Blackout Tweed Print

Width to:	24	30	36	42	48	54	60	66	72	84	96	108	120	132	144
Length to: 36	267	306	347	390	428	477	521	567	613	705	802	894	990	1077	1170
42	292	332	380	428	475	530	578	629	683	788	895	996	1105	1206	1370
48	314	364	419	475	526	590	645	706	763	883	1007	1122	1247	1364	1483
54	343	397	457	521	579	645	708	777	838	971	1105	1234	1370	1499	1633
60	379	425	491	563	624	697	762	840	911	1054	1199	1339	1487	1633	1772
66	400	455	527	602	672	750	822	904	980	1135	1292	1449	1605	1754	1911
72	426	491	573	652	729	815	895	984	1065	1235	1410	1580	1750	1919	2087
78	453	520	606	693	779	868	954	1049	1135	1319	1502	1683	1868	2043	2228
84	474	546	642	734	819	919	1009	1110	1202	1399	1593	1781	1982	2177	2369
90	501	583	683	779	876	980	1076	1184	1285	1496	1701	1910	2125	2332	2543
96	519	608	713	818	920	1028	1132	1245	1353	1571	1796	2013	2240	2462	2684
108	564	663	780	897	1013	1134	1246	1372	1492	1735	1980	2223	2473	2716	2964
120	606	721	849	974	1132	1234	1362	1500	1631	1895	2162	2434	2705	2976	3317
132	656	782	924	1067	1238	1351	1495	1640	1786	2078	2372	2666	2969	3358	3826
144	699	839	990	1145	1345	1458	1612	1766	1924	2238	2556	2875	3259	3725	4257

Group 8

- 3/4" Single Cell Light Filtering Whisper Woven
- 3/4" Single Cell Light Filtering Sheer

- 3/4" Cell-in-a-Cell Light Filtering

Width to:	24	30	36	42	48	54	60	66	72	84	96	108	120	132	144
Length to: 36	295	339	387	441	487	545	594	645	699	811	917	1020	1131	1238	1340
42	318	370	424	485	536	599	659	717	775	897	1016	1134	1254	1376	1490
48	338	397	457	521	576	650	710	778	843	974	1108	1238	1374	1506	1636
54	371	434	502	568	632	709	779	859	927	1071	1215	1360	1510	1651	1796
60	400	467	545	615	683	770	843	924	1004	1158	1318	1475	1632	1789	1947
66	431	503	582	660	738	827	907	995	1077	1247	1421	1586	1763	1927	2096
72	457	533	621	707	788	883	973	1067	1155	1336	1525	1700	1886	2065	2249
78	480	567	655	746	843	938	1040	1136	1234	1426	1621	1814	2010	2206	2398
84	501	593	694	788	887	987	1091	1194	1294	1496	1708	1908	2125	2326	2535
90	524	624	728	830	932	1044	1148	1259	1371	1587	1804	2022	2242	2458	2676
96	546	651	757	866	974	1091	1205	1321	1433	1661	1894	2119	2354	2580	2810
108	594	707	827	946	1068	1196	1322	1448	1575	1824	2079	2325	2585	2834	3085
120	637	765	900	1032	1167	1305	1440	1579	1714	1987	2265	2536	2816	3090	3362
132	679	822	963	1109	1258	1407	1555	1702	1852	2150	2449	2743	3048	3695	4208
144	726	879	1033	1190	1350	1512	1671	1829	1990	2311	2631	2951	3587	4098	4684

*Notes: 2-on-1 and 3-on-1 headrail option is strongly recommended for all blinds measuring 96" or more in width or height.
 * Any orders with a product over 90" width will have an additional oversized fee. See full shipping policy for details

Shade Pricing

Group 9

- 9/16" Single Cell Light Filtering Slub Woven
- 9/16" Single Cell Blackout Flame Retardant

- 3/4" Single Cell Light Filtering Slub Woven
- 3/4" Single Cell Light Filtering Lux Linen

Width to:	24	30	36	42	48	54	60	66	72	84	96	108	120	132	144
Length to: 36	324	373	426	484	536	597	652	707	767	889	1006	1119	1241	1359	1470
42	350	405	466	532	588	656	723	785	849	984	1116	1243	1376	1509	1636
48	371	436	501	570	631	712	780	854	924	1070	1215	1359	1509	1653	1794
54	408	476	551	624	696	779	856	941	1016	1175	1332	1493	1658	1814	1971
60	439	513	597	674	748	843	924	1015	1099	1273	1444	1618	1788	1962	2135
66	471	551	639	725	811	908	995	1092	1183	1369	1558	1740	1934	2115	2302
72	501	585	681	777	865	970	1070	1171	1268	1465	1673	1866	2070	2266	2470
78	526	622	720	818	924	1030	1141	1246	1355	1565	1778	1989	2206	2420	2630
84	549	651	759	865	973	1084	1197	1310	1419	1641	1872	2093	2330	2553	2781
90	575	685	798	909	1022	1145	1260	1382	1506	1740	1978	2219	2460	2699	2938
96	601	714	831	949	1070	1197	1324	1449	1573	1824	2079	2324	2582	2831	3083
108	652	777	908	1038	1173	1313	1450	1588	1727	2001	2279	2552	2837	3109	3387
120	698	840	987	1132	1279	1432	1580	1734	1878	2180	2484	2783	3091	3388	3690
132	746	902	1056	1216	1381	1542	1708	1869	2032	2358	2688	3010	3344	3759	4379
144	796	964	1135	1306	1482	1659	1832	2007	2183	2536	2889	3237	3653	4255	4863

Group 10

- 3/4" Cell-in-a-Cell Blackout

Width to:	24	30	36	42	48	54	60	66	72	84	96	108	120	132	144
Length to: 36	374	427	489	558	615	687	751	814	882	1022	1154	1287	1427	1562	1692
42	403	466	536	613	676	755	832	905	974	1132	1283	1429	1581	1737	1880
48	426	501	575	656	727	819	896	982	1064	1231	1398	1562	1736	1902	2063
54	469	548	634	718	799	895	984	1084	1170	1351	1534	1717	1907	2085	2266
60	504	590	686	776	860	970	1064	1168	1266	1463	1661	1861	2057	2258	2455
66	543	634	734	833	932	1044	1145	1255	1361	1574	1792	2000	2224	2432	2647
72	576	673	783	893	995	1116	1231	1346	1458	1685	1924	2145	2379	2606	2840
78	606	715	828	941	1064	1183	1311	1433	1558	1799	2044	2287	2536	2785	3026
84	631	748	875	994	1119	1244	1378	1507	1633	1888	2155	2408	2681	2937	3198
90	660	786	918	1046	1176	1318	1449	1590	1730	2001	2274	2550	2830	3103	3378
96	691	822	957	1093	1231	1378	1520	1666	1808	2099	2391	2673	2970	3255	3547
108	751	893	1044	1193	1349	1509	1667	1826	1987	2302	2623	2936	3261	3575	3893
120	803	967	1135	1302	1471	1646	1817	1994	2161	2506	2857	3200	3554	3898	4243
132	858	1036	1215	1399	1588	1773	1962	2148	2336	2712	3091	3462	3846	4212	4586
144	916	1109	1304	1504	1703	1907	2107	2308	2510	2917	3320	3723	4137	4531	4938

*Notes: 2-on-1 and 3-on-1 headrail option is strongly recommended for all blinds measuring 96" or more in width or height.
 * Any orders with a product over 90" width will have an additional oversized fee. See full shipping policy for details

Simple Touch® Wand and Remote Motorization

Simple Touch® Wand

Simple Touch® Wand allows the convenience of motorized shade without needing to worry where the remote is. Operated by 8 AA batteries, this unique cordless, battery powered shade has a control on a wand handle. Simple Touch® Wand cellular shades are made with the heavy-duty headrail and finest cellular shade fabrics. We offer a variety of options for the consumers' convenience.

Features and Options:

- Components color coordinated to shade based on standard color coordination chart on page 5
- Minimum wand length 12", Maximum wand length 60"
- Standard location right side unless specified
- Limits will be preset at upper 0" and lower at the ordered drop. Consumers can set favorite position.
- Shades are installed with heavy duty brackets. Instructions and programing guide included in hardware bag
- Optional P-Box Hub for smart device control

Power options:

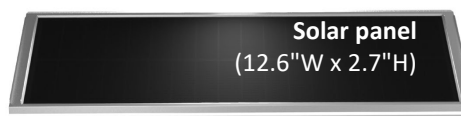
- Rechargeable battery pack included with motor surcharge.
- Power adapter – 70" including cord length in headrail, power extension cord optional

Simple Touch® Wand Motorization Surcharges	Retail
Simple Touch® Wand (added to base shade pricing)	\$406
Additional Rechargeable Battery Pack	\$150
Wall Charger with 80" cable	\$32
Power adapter (with 70" cord)	\$64
Power extension cord (118")	\$32
Solar Panel	\$341
Simple Touch P-Box Hub	\$465

Simple Touch® Wand



Simple Touch® Wand Size Limitation	Single Cell Light Filtering	Single Cell Blackout	Double Cell Blackout
Minimum Width	28"	28"	28"
Minimum Length	12"	12"	12"
Maximum Width	118"	118"	96"
Maximum Height	118"	118"	118"
Maximum Weight	9 lbs.	9 lbs.	9 lbs.



Simple Touch® Remote



Simple Touch® Remote

Simple Touch® Remote Shades allow the convenience of remote-controlled motorized shades with an economical option to meet your budget. With a 15-channel remote, powered by a rechargeable battery pack.

Features and Options:

- Standard location right side unless specified
- Limits will be preset at upper 0" and lower at the ordered drop. Consumers can set favorite position.
- Shades are installed with heavy duty brackets. Instructions and programing guide included in hardware bag
- Optional P-Box Hub for smart device control

Power options:

- Rechargeable battery pack included with motor surcharge.
- Power adapter – 70" including cord length in headrail,
- Power extension cord optional

Simple Touch® Remote

- Standard Shade upper limit preset at 0" and bottom limit set at ordered drop.

Simple Touch® Remote Motorization Surcharges	Retail
Standard Motorized Shade (added to base shade pricing)	\$576
Additional Rechargeable Battery Pack	\$150
Controls	
Simple Touch® 15 Channel Remote	\$139
Additional Hardware	
Wall Charger with 80" cable	\$32
Power adapter (with 70" cord)	\$64
Power extension cord (118")	\$32
Solar Panel	\$341
Simple Touch P-Box Hub	\$465

Simple Touch® Remote Motorization Size Limitation	Standard Shades	
	Single Cell	Double Cell
Minimum Width	28"	28"
Minimum Length	12"	12"
Maximum Width	120"	120"
Maximum Height	96 sq. ft	75 sq. ft.
Maximum Weight	15 lbs.	15 lbs.

Automate Motorization

Cellular Shade Collection shades powered by Rollease Acmeda Automate (RTS) Radio Technology System provides the convenience of remote-controlled motorized shades with a well know motorization brand. With two motor types, multiple remote options along with smart device and voice command capability adding Automate Motors to your shade allows a new level of shade control.



<u>Motorization Options</u>	Retail
Standard Shades	
Li-ion Motorization with rechargeable battery pack & charger	\$715
Skylight Shades	
• Li-ion Motorization with rechargeable battery pack & charger	\$957
<u>Control Options</u>	
5 Channel Push Remote	\$267
15 Channel Remote	\$310
5 Channel Wall Switch	\$225
15 Channel Wall Switch	\$267
Pulse 2 Hub	\$715
<u>Additional Hardware</u>	
Rechargeable Battery Pack	\$267
5v USB Wall Charger Block	\$32
5v USB Charge Cable 156"	\$54
96" motor extension cable	\$26
Solar Panel (only works with rechargeable battery pack)	\$341

Size Limitations	Standard	Skylight
Minimum Width	18"	24"
Minimum Height	12"	10"
Maximum Width	120"	60"
Maximum Height	120"	60"



5 Channel Remote



15 Channel Remote



Pulse 2 Hub



Solar Panel
12.6" W x 2.7" H

Li-ion Rechargeable Battery Features:

- Li-ion rechargeable battery pack and 80" charger included
- 1-1/2" color coordinated headrail
- Handheld remote control only (no hardwire)
- Radio frequency control
- Wall mount clips and headrail mounts are included
- Smart system capability with the Pulse 2 Hub
- Flash depth including the headrail and battery tube is 3 1/4"

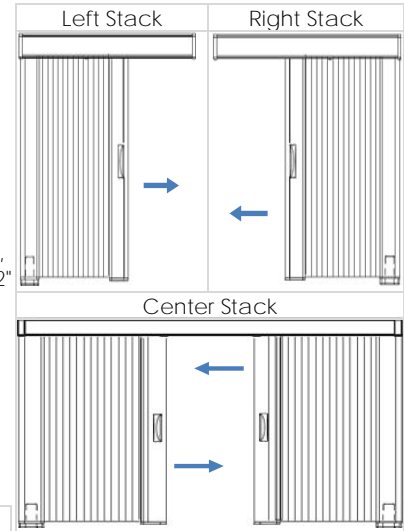


Sliders and Specialty Shapes

Slider Cellular Shade

Features:

- Available only in 9/16" & 3/4" light filtering and blackout cellular fabrics.
- Not available in 7/16", 3/4" Cell-in-a-Cell fabrics, Linen Prints or Sheer fabrics
- Aluminum headrail and side rails available in Vanilla 002 (off-white)
- Integrated headrail requires no valance
- Cordless design
- Finished shades available in Left Stack, Center Stack or Right Stack
- Ideal for patio doors, wide windows or room dividers
- Stationary rail bottom bracket can be mounted to the floor or side walls, extension brackets available upon request. To mount the stationary bottom rail bracket to the floor, the distance between the floor and the bottom of the shade cannot be larger than 1 1/2"



Deductions			Size Limitations		Stack Width			
	Width	Height	Minimum Width	24"		Left Stack	Right Stack	Center Stack
Inside Mount	1/4"	1/2"	Minimum Height	24"	Minimum Width	6"	6"	6" per side
Outside Mount	None	None	Maximum Width	120"				
			Maximum Height	118"				

Handle Position

Height ≤ 72"	At the center of the moving rail
Height 72 1/8" – 96"	38" from the bottom of the moving rail
Height 96 1/8" – 132"	48" from the bottom of the moving rail

Minimum Mounting Space

	Minimum Mounting Depth	Minimum Flush Mount Depth
Inside Mount	2 3/4"	4"
Outside Mount	2 1/4" (Minimum Flat Vertical Surface)	

Specialty Shades & Arches

- Specialty Shades and Arches are not available for skylights
- Finished size must be provided, manufacturer will not make any deductions
- Perfect versus Non-perfect arches or circles: Perfect arches are those where the radius of the circle are consistent on all points. Non-perfect arches are not consistent at all points. Deviation of 1/16" makes it imperfect. Templates will be required on all non-perfect arches or circles.

	Shape	Operational	Template	Width Minimum	Width Maximum	Length Minimum	Length Maximum
	Arch	Non-movable	Perfect – No Non-perfect – Yes	18"	84"	9"	48"
	Quarter Arch	Non-movable	Perfect – No Non-perfect – Yes	9"	50"		
	Circle	Non-movable	Perfect – No Non-perfect – Yes	9/16" – 9" 7/16" – 12"	9/16" – 42" 7/16" – 42"		
	Hexagon	Yes	Yes	12"	48"	12"	48"
	Octagon	Yes	Yes	12"	48"	12"	48"

Simply Cordless Systems

The Simply Cordless collection offers a cost effective solution for custom cordless cellular shades.

Features:

- Simply Cordless shades available in Standard, Top Down Bottom Up and Day/Night shades
- 9/16" Cell size only
- Standard and Top Down Bottom up available in both light filtering and blackout fabrics
- State of the Art vinyl headrail and bottom rail system
- 100% Polyester spun non-woven fabric
- Easy to install hidden brackets
- Day/Night shades fabric selection based on light filtering fabrics and will be the matching color in blackout fabric
- Cut to width only, no adjustments to length
 - Minimum Width
 - Standard 18"
 - Top Down Bottom Up 23"
 - Day/Night 23"
 - Lengths available: 48" or 72"

Trim Allowances	Standard	Top Down Bottom Up	Day/Night
30"	12" (6" per side)	7" (3.5" per side)	7" (3.5" per side)
38"	8" (4" per side)	8" (3" per side)	8" (3" per side)
54"	16" (8" per side)	16" (8" per side)	16" (8" per side)
72"	18" (9" per side)	18" (9" per side)	18" (9" per side)

Simply Cordless Standard	Simply Cordless Top Down Bottom Up	Simply Cordless Day/Night																																																																																																																																																																																																																																																																																								
<table border="1" style="width:100%; border-collapse: collapse;"> <thead> <tr> <th colspan="5">Light Filtering Pricing</th> </tr> <tr> <th>Width to:</th> <th>30"</th> <th>38"</th> <th>54"</th> <th>72"</th> </tr> </thead> <tbody> <tr> <td>Length to: 48"</td> <td>120</td> <td>145</td> <td>187</td> <td>255</td> </tr> <tr> <td>Length to: 72"</td> <td>130</td> <td>153</td> <td>198</td> <td>270</td> </tr> </tbody> </table> <table border="1" style="width:100%; border-collapse: collapse;"> <thead> <tr> <th colspan="5">Blackout Pricing</th> </tr> <tr> <th>Width to:</th> <th>30"</th> <th>38"</th> <th>54"</th> <th>72"</th> </tr> </thead> <tbody> <tr> <td>Length to: 48"</td> <td>174</td> <td>213</td> <td>282</td> <td>379</td> </tr> <tr> <td>Length to: 72"</td> <td>191</td> <td>240</td> <td>320</td> <td>434</td> </tr> </tbody> </table> <table border="1" style="width:100%; border-collapse: collapse;"> <thead> <tr> <th colspan="3">Simply Cordless Standard Color Chart</th> </tr> <tr> <th>Color No.</th> <th>Single Cell Pattern Color</th> <th>Type</th> </tr> </thead> <tbody> <tr><td>1G001</td><td>Cotton</td><td>Light Filtering</td></tr> <tr><td>1G006</td><td>Fawn</td><td>Light Filtering</td></tr> <tr><td>1G021</td><td>Gray Sheen</td><td>Light Filtering</td></tr> <tr><td>1G030</td><td>Anthracite</td><td>Light Filtering</td></tr> <tr><td>1G069</td><td>White dove</td><td>Light Filtering</td></tr> <tr><td>1G070</td><td>Winter White</td><td>Light Filtering</td></tr> <tr><td>1G346</td><td>Antique Pewter</td><td>Light Filtering</td></tr> <tr><td>1G492</td><td>Warm Cocoa</td><td>Light Filtering</td></tr> <tr><td>1G514</td><td>Misty Gray</td><td>Light Filtering</td></tr> <tr><td>1G519</td><td>Sticks & Stones</td><td>Light Filtering</td></tr> <tr><td>7G519</td><td>Bamboo Stone</td><td>Light Filtering</td></tr> <tr><td>7G344</td><td>Bamboo Pebble</td><td>Light Filtering</td></tr> <tr><td>2G001</td><td>Cotton</td><td>Blackout</td></tr> <tr><td>2G006</td><td>Fawn</td><td>Blackout</td></tr> <tr><td>2G021</td><td>Gray Sheen</td><td>Blackout</td></tr> <tr><td>2G030</td><td>Anthracite</td><td>Blackout</td></tr> <tr><td>2G069</td><td>White Dove</td><td>Blackout</td></tr> <tr><td>2G070</td><td>Winter White</td><td>Blackout</td></tr> <tr><td>2G346</td><td>Antique Pewter</td><td>Blackout</td></tr> <tr><td>2G492</td><td>Warm Cocoa</td><td>Blackout</td></tr> <tr><td>2G514</td><td>Misty Gray</td><td>Blackout</td></tr> <tr><td>2G519</td><td>Sticks & Stones</td><td>Blackout</td></tr> <tr><td>8G519</td><td>Bamboo Stone</td><td>Blackout</td></tr> <tr><td>8G344</td><td>Bamboo Pebble</td><td>Blackout</td></tr> </tbody> </table>	Light Filtering Pricing					Width to:	30"	38"	54"	72"	Length to: 48"	120	145	187	255	Length to: 72"	130	153	198	270	Blackout Pricing					Width to:	30"	38"	54"	72"	Length to: 48"	174	213	282	379	Length to: 72"	191	240	320	434	Simply Cordless Standard Color Chart			Color No.	Single Cell Pattern Color	Type	1G001	Cotton	Light Filtering	1G006	Fawn	Light Filtering	1G021	Gray Sheen	Light Filtering	1G030	Anthracite	Light Filtering	1G069	White dove	Light Filtering	1G070	Winter White	Light Filtering	1G346	Antique Pewter	Light Filtering	1G492	Warm Cocoa	Light Filtering	1G514	Misty Gray	Light Filtering	1G519	Sticks & Stones	Light Filtering	7G519	Bamboo Stone	Light Filtering	7G344	Bamboo Pebble	Light Filtering	2G001	Cotton	Blackout	2G006	Fawn	Blackout	2G021	Gray Sheen	Blackout	2G030	Anthracite	Blackout	2G069	White Dove	Blackout	2G070	Winter White	Blackout	2G346	Antique Pewter	Blackout	2G492	Warm Cocoa	Blackout	2G514	Misty Gray	Blackout	2G519	Sticks & Stones	Blackout	8G519	Bamboo Stone	Blackout	8G344	Bamboo Pebble	Blackout	<table border="1" style="width:100%; border-collapse: collapse;"> <thead> <tr> <th colspan="5">TDBU Light Filtering Pricing</th> </tr> <tr> <th>Width to:</th> <th>30"</th> <th>38"</th> <th>54"</th> <th>72"</th> </tr> </thead> <tbody> <tr> <td>Length to: 48"</td> <td>164</td> <td>200</td> <td>250</td> <td>348</td> </tr> <tr> <td>Length to: 72"</td> <td>182</td> <td>205</td> <td>275</td> <td>373</td> </tr> </tbody> </table> <table border="1" style="width:100%; border-collapse: collapse;"> <thead> <tr> <th colspan="5">TDBU Blackout Pricing</th> </tr> <tr> <th>Width to:</th> <th>30"</th> <th>38"</th> <th>54"</th> <th>72"</th> </tr> </thead> <tbody> <tr> <td>Length to: 48"</td> <td>219</td> <td>270</td> <td>344</td> <td>464</td> </tr> <tr> <td>Length to: 72"</td> <td>237</td> <td>306</td> <td>385</td> <td>522</td> </tr> </tbody> </table> <table border="1" style="width:100%; border-collapse: collapse;"> <thead> <tr> <th colspan="3">Simply Cordless Top Down Bottom Up Color Chart</th> </tr> <tr> <th>Color No.</th> <th>Single Cell Pattern Color</th> <th>Type</th> </tr> </thead> <tbody> <tr><td>1T001</td><td>Cotton</td><td>Light Filtering</td></tr> <tr><td>1T006</td><td>Fawn</td><td>Light Filtering</td></tr> <tr><td>1T021</td><td>Gray Sheen</td><td>Light Filtering</td></tr> <tr><td>1T030</td><td>Anthracite</td><td>Light Filtering</td></tr> <tr><td>1T069</td><td>White dove</td><td>Light Filtering</td></tr> <tr><td>1T070</td><td>Winter White</td><td>Light Filtering</td></tr> <tr><td>1T346</td><td>Antique Pewter</td><td>Light Filtering</td></tr> <tr><td>1T492</td><td>Warm Cocoa</td><td>Light Filtering</td></tr> <tr><td>1T514</td><td>Misty Gray</td><td>Light Filtering</td></tr> <tr><td>1T519</td><td>Sticks & Stones</td><td>Light Filtering</td></tr> <tr><td>7G519</td><td>Bamboo Stone</td><td>Light Filtering</td></tr> <tr><td>7G344</td><td>Bamboo Pebble</td><td>Light Filtering</td></tr> <tr><td>2T001</td><td>Cotton</td><td>Blackout</td></tr> <tr><td>2T006</td><td>Fawn</td><td>Blackout</td></tr> <tr><td>2T021</td><td>Gray Sheen</td><td>Blackout</td></tr> <tr><td>2T030</td><td>Anthracite</td><td>Blackout</td></tr> <tr><td>2T069</td><td>White Dove</td><td>Blackout</td></tr> <tr><td>2T070</td><td>Winter White</td><td>Blackout</td></tr> <tr><td>2T346</td><td>Antique Pewter</td><td>Blackout</td></tr> <tr><td>2T492</td><td>Warm Cocoa</td><td>Blackout</td></tr> <tr><td>2T514</td><td>Misty Gray</td><td>Blackout</td></tr> <tr><td>2T519</td><td>Sticks & Stones</td><td>Blackout</td></tr> <tr><td>8G519</td><td>Bamboo Stone</td><td>Blackout</td></tr> <tr><td>8G344</td><td>Bamboo Pebble</td><td>Blackout</td></tr> </tbody> </table>	TDBU Light Filtering Pricing					Width to:	30"	38"	54"	72"	Length to: 48"	164	200	250	348	Length to: 72"	182	205	275	373	TDBU Blackout Pricing					Width to:	30"	38"	54"	72"	Length to: 48"	219	270	344	464	Length to: 72"	237	306	385	522	Simply Cordless Top Down Bottom Up Color Chart			Color No.	Single Cell Pattern Color	Type	1T001	Cotton	Light Filtering	1T006	Fawn	Light Filtering	1T021	Gray Sheen	Light Filtering	1T030	Anthracite	Light Filtering	1T069	White dove	Light Filtering	1T070	Winter White	Light Filtering	1T346	Antique Pewter	Light Filtering	1T492	Warm Cocoa	Light Filtering	1T514	Misty Gray	Light Filtering	1T519	Sticks & Stones	Light Filtering	7G519	Bamboo Stone	Light Filtering	7G344	Bamboo Pebble	Light Filtering	2T001	Cotton	Blackout	2T006	Fawn	Blackout	2T021	Gray Sheen	Blackout	2T030	Anthracite	Blackout	2T069	White Dove	Blackout	2T070	Winter White	Blackout	2T346	Antique Pewter	Blackout	2T492	Warm Cocoa	Blackout	2T514	Misty Gray	Blackout	2T519	Sticks & Stones	Blackout	8G519	Bamboo Stone	Blackout	8G344	Bamboo Pebble	Blackout	<table border="1" style="width:100%; border-collapse: collapse;"> <thead> <tr> <th colspan="5">Day/Night Light Filtering Pricing</th> </tr> <tr> <th>Width to:</th> <th>30"</th> <th>38"</th> <th>54"</th> <th>72"</th> </tr> </thead> <tbody> <tr> <td>Length to: 48"</td> <td>250</td> <td>312</td> <td>410</td> <td>565</td> </tr> <tr> <td>Length to: 72"</td> <td>293</td> <td>364</td> <td>489</td> <td>658</td> </tr> </tbody> </table> <table border="1" style="width:100%; border-collapse: collapse;"> <thead> <tr> <th colspan="2">Simply Cordless Day/Night Color Chart</th> </tr> <tr> <th>Color No.</th> <th>Single Cell Pattern Color</th> </tr> </thead> <tbody> <tr><td>1D001</td><td>Cotton</td></tr> <tr><td>1D006</td><td>Fawn</td></tr> <tr><td>1D021</td><td>Gray Sheen</td></tr> <tr><td>1D030</td><td>Anthracite</td></tr> <tr><td>1D069</td><td>White dove</td></tr> <tr><td>1D070</td><td>Winter White</td></tr> <tr><td>1D346</td><td>Antique Pewter</td></tr> <tr><td>1D492</td><td>Warm Cocoa</td></tr> <tr><td>1D514</td><td>Misty Gray</td></tr> <tr><td>1D519</td><td>Sticks & Stones</td></tr> </tbody> </table>	Day/Night Light Filtering Pricing					Width to:	30"	38"	54"	72"	Length to: 48"	250	312	410	565	Length to: 72"	293	364	489	658	Simply Cordless Day/Night Color Chart		Color No.	Single Cell Pattern Color	1D001	Cotton	1D006	Fawn	1D021	Gray Sheen	1D030	Anthracite	1D069	White dove	1D070	Winter White	1D346	Antique Pewter	1D492	Warm Cocoa	1D514	Misty Gray	1D519	Sticks & Stones
Light Filtering Pricing																																																																																																																																																																																																																																																																																										
Width to:	30"	38"	54"	72"																																																																																																																																																																																																																																																																																						
Length to: 48"	120	145	187	255																																																																																																																																																																																																																																																																																						
Length to: 72"	130	153	198	270																																																																																																																																																																																																																																																																																						
Blackout Pricing																																																																																																																																																																																																																																																																																										
Width to:	30"	38"	54"	72"																																																																																																																																																																																																																																																																																						
Length to: 48"	174	213	282	379																																																																																																																																																																																																																																																																																						
Length to: 72"	191	240	320	434																																																																																																																																																																																																																																																																																						
Simply Cordless Standard Color Chart																																																																																																																																																																																																																																																																																										
Color No.	Single Cell Pattern Color	Type																																																																																																																																																																																																																																																																																								
1G001	Cotton	Light Filtering																																																																																																																																																																																																																																																																																								
1G006	Fawn	Light Filtering																																																																																																																																																																																																																																																																																								
1G021	Gray Sheen	Light Filtering																																																																																																																																																																																																																																																																																								
1G030	Anthracite	Light Filtering																																																																																																																																																																																																																																																																																								
1G069	White dove	Light Filtering																																																																																																																																																																																																																																																																																								
1G070	Winter White	Light Filtering																																																																																																																																																																																																																																																																																								
1G346	Antique Pewter	Light Filtering																																																																																																																																																																																																																																																																																								
1G492	Warm Cocoa	Light Filtering																																																																																																																																																																																																																																																																																								
1G514	Misty Gray	Light Filtering																																																																																																																																																																																																																																																																																								
1G519	Sticks & Stones	Light Filtering																																																																																																																																																																																																																																																																																								
7G519	Bamboo Stone	Light Filtering																																																																																																																																																																																																																																																																																								
7G344	Bamboo Pebble	Light Filtering																																																																																																																																																																																																																																																																																								
2G001	Cotton	Blackout																																																																																																																																																																																																																																																																																								
2G006	Fawn	Blackout																																																																																																																																																																																																																																																																																								
2G021	Gray Sheen	Blackout																																																																																																																																																																																																																																																																																								
2G030	Anthracite	Blackout																																																																																																																																																																																																																																																																																								
2G069	White Dove	Blackout																																																																																																																																																																																																																																																																																								
2G070	Winter White	Blackout																																																																																																																																																																																																																																																																																								
2G346	Antique Pewter	Blackout																																																																																																																																																																																																																																																																																								
2G492	Warm Cocoa	Blackout																																																																																																																																																																																																																																																																																								
2G514	Misty Gray	Blackout																																																																																																																																																																																																																																																																																								
2G519	Sticks & Stones	Blackout																																																																																																																																																																																																																																																																																								
8G519	Bamboo Stone	Blackout																																																																																																																																																																																																																																																																																								
8G344	Bamboo Pebble	Blackout																																																																																																																																																																																																																																																																																								
TDBU Light Filtering Pricing																																																																																																																																																																																																																																																																																										
Width to:	30"	38"	54"	72"																																																																																																																																																																																																																																																																																						
Length to: 48"	164	200	250	348																																																																																																																																																																																																																																																																																						
Length to: 72"	182	205	275	373																																																																																																																																																																																																																																																																																						
TDBU Blackout Pricing																																																																																																																																																																																																																																																																																										
Width to:	30"	38"	54"	72"																																																																																																																																																																																																																																																																																						
Length to: 48"	219	270	344	464																																																																																																																																																																																																																																																																																						
Length to: 72"	237	306	385	522																																																																																																																																																																																																																																																																																						
Simply Cordless Top Down Bottom Up Color Chart																																																																																																																																																																																																																																																																																										
Color No.	Single Cell Pattern Color	Type																																																																																																																																																																																																																																																																																								
1T001	Cotton	Light Filtering																																																																																																																																																																																																																																																																																								
1T006	Fawn	Light Filtering																																																																																																																																																																																																																																																																																								
1T021	Gray Sheen	Light Filtering																																																																																																																																																																																																																																																																																								
1T030	Anthracite	Light Filtering																																																																																																																																																																																																																																																																																								
1T069	White dove	Light Filtering																																																																																																																																																																																																																																																																																								
1T070	Winter White	Light Filtering																																																																																																																																																																																																																																																																																								
1T346	Antique Pewter	Light Filtering																																																																																																																																																																																																																																																																																								
1T492	Warm Cocoa	Light Filtering																																																																																																																																																																																																																																																																																								
1T514	Misty Gray	Light Filtering																																																																																																																																																																																																																																																																																								
1T519	Sticks & Stones	Light Filtering																																																																																																																																																																																																																																																																																								
7G519	Bamboo Stone	Light Filtering																																																																																																																																																																																																																																																																																								
7G344	Bamboo Pebble	Light Filtering																																																																																																																																																																																																																																																																																								
2T001	Cotton	Blackout																																																																																																																																																																																																																																																																																								
2T006	Fawn	Blackout																																																																																																																																																																																																																																																																																								
2T021	Gray Sheen	Blackout																																																																																																																																																																																																																																																																																								
2T030	Anthracite	Blackout																																																																																																																																																																																																																																																																																								
2T069	White Dove	Blackout																																																																																																																																																																																																																																																																																								
2T070	Winter White	Blackout																																																																																																																																																																																																																																																																																								
2T346	Antique Pewter	Blackout																																																																																																																																																																																																																																																																																								
2T492	Warm Cocoa	Blackout																																																																																																																																																																																																																																																																																								
2T514	Misty Gray	Blackout																																																																																																																																																																																																																																																																																								
2T519	Sticks & Stones	Blackout																																																																																																																																																																																																																																																																																								
8G519	Bamboo Stone	Blackout																																																																																																																																																																																																																																																																																								
8G344	Bamboo Pebble	Blackout																																																																																																																																																																																																																																																																																								
Day/Night Light Filtering Pricing																																																																																																																																																																																																																																																																																										
Width to:	30"	38"	54"	72"																																																																																																																																																																																																																																																																																						
Length to: 48"	250	312	410	565																																																																																																																																																																																																																																																																																						
Length to: 72"	293	364	489	658																																																																																																																																																																																																																																																																																						
Simply Cordless Day/Night Color Chart																																																																																																																																																																																																																																																																																										
Color No.	Single Cell Pattern Color																																																																																																																																																																																																																																																																																									
1D001	Cotton																																																																																																																																																																																																																																																																																									
1D006	Fawn																																																																																																																																																																																																																																																																																									
1D021	Gray Sheen																																																																																																																																																																																																																																																																																									
1D030	Anthracite																																																																																																																																																																																																																																																																																									
1D069	White dove																																																																																																																																																																																																																																																																																									
1D070	Winter White																																																																																																																																																																																																																																																																																									
1D346	Antique Pewter																																																																																																																																																																																																																																																																																									
1D492	Warm Cocoa																																																																																																																																																																																																																																																																																									
1D514	Misty Gray																																																																																																																																																																																																																																																																																									
1D519	Sticks & Stones																																																																																																																																																																																																																																																																																									

Warranty

CACO, Inc. will extend a limited lifetime warranty on Cellular Shade Collection shades and a limited 5 year warranty on battery motors and wands. Each shade is warranted to be free from defects in materials and workmanship to the original owner, provided that the shades were properly installed in a window, door or other interior area for which they intended, maintained and cleaned with the manufacturer recommendations.

Damage resulting from misuse, abuse, exposure to the elements, including but not limited to exposure to salty air, discoloration due to sunlight or passage of time, exposure to humidity, accidents, improper installation, alterations or normal wear and tear upon the shades are not covered by this warranty. Some fading or reduction in color intensity may occur and should not be deemed defective. Returns for the above-mentioned reasons are not warranted.

The obligation of CACO's manufactured products and its distributors is limited to repair or replacement of the blinds or components found to be defective, at our option, provided the blinds are returned to an authorized CACO dealer or distributor and accompanied by "proof of purchase". CACO is not responsible for any labor costs associated with fabricating alterations, measuring, or installation and to include shipping charges.

This warranty is exclusive and in lieu of all other obligations, liabilities, or warranties. In no event shall CACO be liable or responsible for incidental or consequential damages, or for any other direct or indirect damage, loss, cost, expense, or fee. Some states do not allow the exclusion or limitations of incidental or consequential damages, so this limitation may not apply to you. This warranty gives you specific rights, and you may also have other rights, which vary from state to state.



Loki Bark – Open fabric bands*



Loki Bark – Closed fabric bands*

Dual Sheer Shades, also known as zebra shades, provide the versatility of fabric roller shades by allowing light and privacy control while maintaining a unique decorative appeal. Constructed with dual fabric panels with alternating fabric and sheer bands, these shades can be fully raised but when completely lowered the horizontal bands can be controlled to provide different levels of privacy.

Shade operation

- When in the open position fabric bands allow light into the room.
- Closing the bands provide privacy or reduce glare.
- Full raised shades allow for full light and view

Cassette Options

Dual shades are available in two different cassette styles and both options are included in the shade prices.

Rounded Cassette:

- Standard cassette option
- 3 1/8" Cassette

Square Metal Cassette:

- Optional Cassette
- 3" Square Metal Cassette

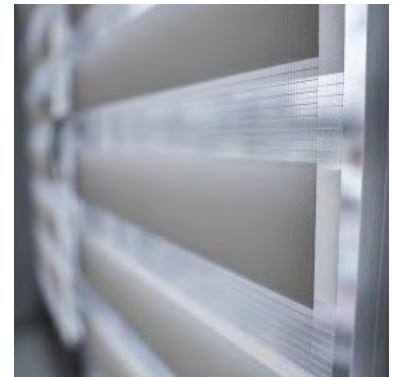
Bottom Bar Options

Standard

- Standard available in two sizes, Square and Cordless Standard
- For an additional charge the bottom rail can be wrapped to match the shade fabric.
- Available in two sizes: Small and Large. Large bottom rail required on some fabrics, see fabric tables on page 52 for details.

Pattern Matching

Fabric band matching available on shades ordered in the same fabric and length only. When ordering please note the shades will be side by side.

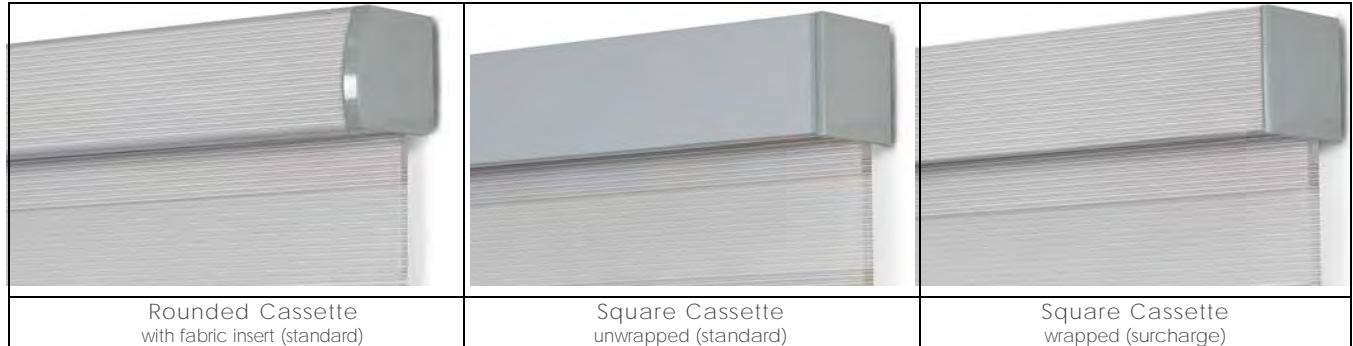


**Please note the Loki fabric featured is a room darkening pattern, various styles will result in different light filtering effects.*

Cassette Specifications

Cassette Options

- Dual Sheer Shades come standard with a rounded or square cassette.
- Rounded cassettes will include a fabric insert.
- Square cassettes come standard unwrapped or can be fabric wrapped for a surcharge.
- Available in 5 colors: white, beige, gray, bronze, and black.

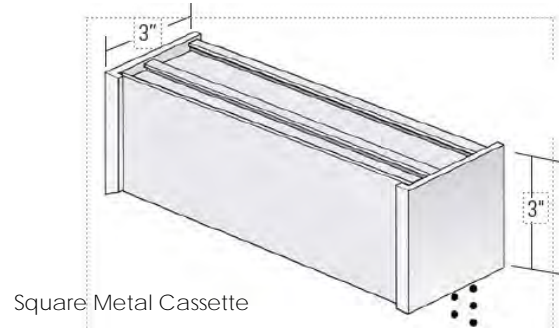
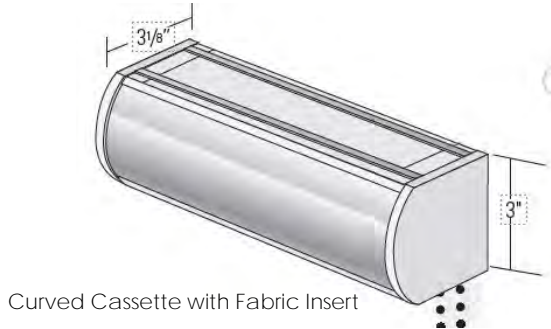


Cassette Color Options

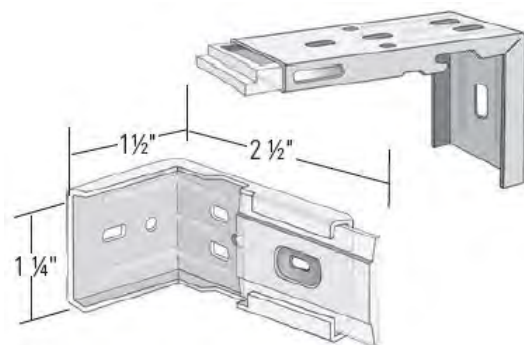
- Cassette and Bottom rail will be color coordinated.



Cassette Dimensions



Brackets
(Provided for both Curved & Square Cassettes)



Cord Tensioner



Bottom Bar Specifications

Bottom Bar Options

- Bottom bar color will match the cassette.
- Clutch and motorized shades come standard with an unwrapped rounded or square bottom bar, and can be fabric wrapped for a surcharge.
- Cordless bottom bars have a rounded shape and come standard unwrapped. Cordless bottom bars can be fabric wrapped for a surcharge.



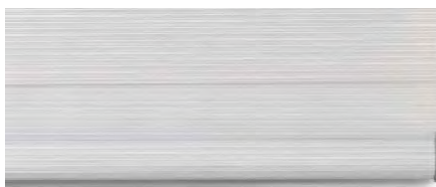
Rounded Bottom Bar - Unwrapped
(standard for clutch & motorized)



Square Bottom Bar - Unwrapped
(standard for clutch & motorized)



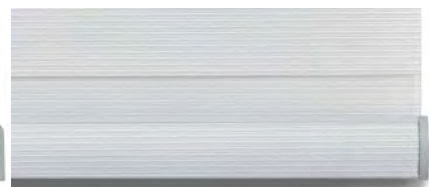
Cordless Bottom Bar - Unwrapped
(standard for cordless)



Rounded Bottom Bar - Wrapped
(surcharge option for clutch & motorized)

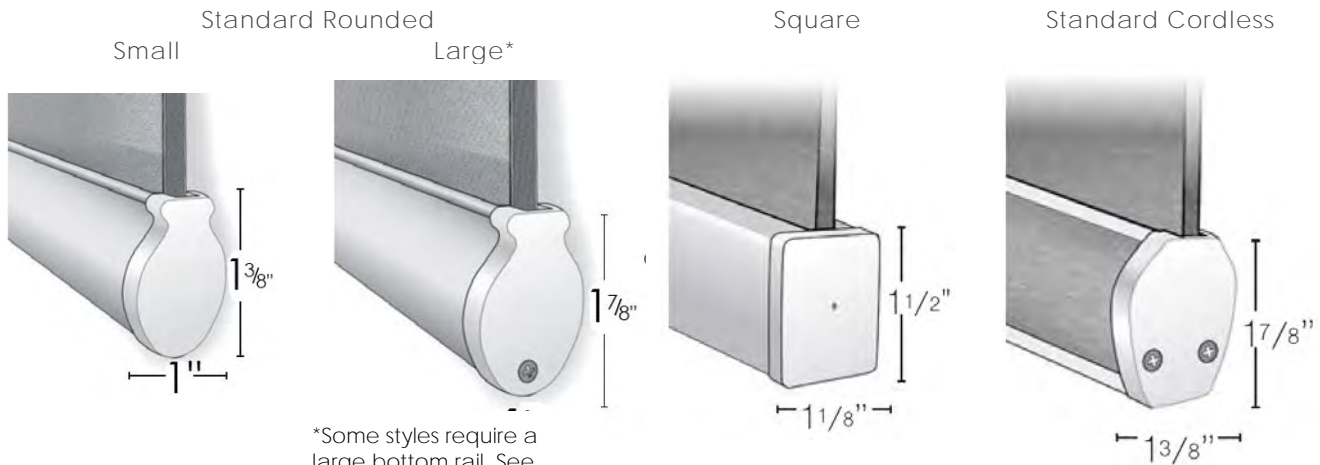


Square Bottom Bar - Unwrapped
(surcharge option for clutch & motorized)



Cordless Bottom Bar - Wrapped
(surcharge option)

Dimensions



*Some styles require a large bottom rail. See page 59-60 for details

Dual Sheer Shades
 Dual Sheer Shades
 Shade Specifications



SHADE INSTALLATION SPECIFICATIONS

	Width		Height		Inside Mount Depth			Control End Gap	Idle End Gap	Fabric Width Deduction
	Minimum Width*	Maximum Width*	Minimum Height*	Maximum Height*	Flush		Minimum Top Mount			
					Top Mount	Face Mount				
<u>Curved Cassette</u>										
Clutch or Loop	16"	110"	20"	108"	3 3/4"	3 3/4"	1"	5/8"	3/8"	1"
Motorized Pro Wand Control	23"	110"	20"	108"	3 3/4"	3 3/4"	1"	5/8"	3/8"	1"
Standard Lithium-Ion Motorized Remote Control	23"	110"	20"	108"	3 3/4"	3 3/4"	1"	5/8"	3/8"	1"
DC Plugin* Motorized Remote Control	15"	110"	20"	108"	3 3/4"	3 3/4"	1"	5/8"	3/8"	1"
Cordless (< 60" long)	20"		20"	99"	3 3/4"	3 3/4"	1"	5/8"	3/8"	1"
Cordless(60" + long)	24"	96"	20"							
<u>Square Cassette</u>										
Clutch or Chain	16"	110"	20"	108"	3 5/8"	3 5/8"	1"	5/8"	3/8"	1"
Motorized Pro Wand Control	23"	110"	20"	108"	3 5/8"	3 5/8"	1"	5/8"	3/8"	1"
Standard Motorized Remote Control	23"	110"	20"	108"	3 5/8"	3 5/8"	1"	5/8"	3/8"	1"
DC Plugin* Motorized Remote Control	15"	110"	20"	108"	3 3/4"	3 3/4"	1"	5/8"	3/8"	1"
Cordless (< 60" long)	20"		20"	99"	3 3/4"	3 3/4"	1"	5/8"	3/8"	1"
Cordless(60" + long)	24"	96"	20"							

A deduction of 1/4" will be made to all IB shades.

Fabric Widths: Check the Fabric Reference Chart for individual fabric maximum width.

*Requires constant power supply for operation.

Fabric Reference

Color Code	Pattern Name	Color	Filter Type	Price Group	Fabric Width	Band Width		Component Color
						Fabric	Sheer	
AD13	Ada	Gray	Light Filtering	4	110"	3 in	2 in	Gray
AD12	Ada	Ivory	Light Filtering	4	110"	3 in	2 in	Ivory
AD11	Ada	White	Light Filtering	4	110"	3 in	2 in	White
N22	Asti	Anthracite	Light Filtering	1	110"	3 in	2 in	Grey
N20	Asti	Black/Black	Light Filtering	1	110"	3 in	2 in	Black
N17	Asti	Chocolate	Light Filtering	1	110"	3 in	2 in	Bronze
N13	Asti	Cream	Light Filtering	1	110"	3 in	2 in	Ivory
N24	Asti	Gray	Light Filtering	1	110"	3 in	2 in	Gray
N11	Asti	Ice White	Light Filtering	1	110"	3 in	2 in	White
N16	Asti	Latte	Light Filtering	1	110"	3 in	2 in	Bronze
N14	Asti	Oyster	Light Filtering	1	110"	3 in	2 in	Ivory
N15	Asti	Sand	Light Filtering	1	110"	3 in	2 in	Beige
N29	Asti	Stone	Light Filtering	1	110"	3 in	2 in	Grey
N21	Asti	Storm	Light Filtering	1	110"	3 in	2 in	Gray
N12	Asti	White	Light Filtering	1	110"	3 in	2 in	White
R218	Celeste	Antique	Light Filtering	4	110"	3 in	2 in	Brown
R214	Celeste	Bisque	Light Filtering	4	110"	3 in	2 in	Ivory
R112	Celeste	Black	Light Filtering	4	110"	3 in	2 in	Black
R216	Celeste	Earth	Light Filtering	4	110"	3 in	2 in	Brown
R111	Celeste	Off White	Light Filtering	4	110"	3 in	2 in	White
R219	Celeste	Silver Gray	Light Filtering	4	110"	3 in	2 in	Grey
R220	Celeste	Steel	Light Filtering	4	110"	3 in	2 in	Brown
R213	Celeste	White	Light Filtering	4	110"	3 in	2 in	White
R215	Celeste	White Gold	Light Filtering	4	110"	3 in	2 in	Ivory
CN04	Conway	Canyon	Light Filtering	1	110"	3 in	2 in	Bronze
CN03	Conway	Gray	Light Filtering	1	110"	3 in	2 in	Gray
CN02	Conway	Mineral	Light Filtering	1	110"	3 in	2 in	Gray
CN01	Conway	Sandstone	Light Filtering	1	110"	3 in	2 in	Ivory
CV12	Coventry	Alabaster	Light Filtering	4	110"	3.25 in	2.25 in	White
CV15	Coventry	Ash	Light Filtering	4	110"	3.25 in	2.25 in	White
CV17	Coventry	Espresso	Light Filtering	4	110"	3.25 in	2.25 in	White
CV14	Coventry	Soft Gray	Light Filtering	4	110"	3.25 in	2.25 in	White
CV16	Coventry	Titanium	Light Filtering	4	110"	3.25 in	2.25 in	White
CV11	Coventry	Winter	Light Filtering	4	110"	3.25 in	2.25 in	White
EM17	Emmerson	Ice	Light Filtering	4	108"	3.75 in	2.75 in	White
EM18	Emmerson	Ivory	Light Filtering	4	108"	3.75 in	2.75 in	Beige
EM16	Emmerson	Khaki	Light Filtering	4	108"	3.75 in	2.75 in	Bronze
EM12	Emmerson	Latte	Light Filtering	4	108"	3.75 in	2.75 in	Beige
EM11	Emmerson	Pearl	Light Filtering	4	108"	3.75 in	2.75 in	White
EM13	Emmerson	Soft Gray	Light Filtering	4	108"	3.75 in	2.75 in	Gray
IV01	Irvine	Dark Gray	Light Filtering	4	108"	3 in	2 in	Gray
IV03	Irvine	Ice	Light Filtering	4	108"	3 in	2 in	White
IV02	Irvine	Soft Gray	Light Filtering	4	108"	3 in	2 in	Gray

* Pattern requires large bottom rail.

* Pattern not available with cordless system.

Fabric Reference

Color Code	Pattern Name	Color	Filter Type	Price Group	Fabric Width	Band Width		Component Color
						Fabric	Sheer	
LN15	Lennox*	Ash	Room Darkening	5	110"	3.25 in	2.25 in	Gray
LN13	Lennox*	Beige	Room Darkening	5	110"	3.25 in	2.25 in	Ivory
LN14	Lennox*	Chocolate	Room Darkening	5	110"	3.25 in	2.25 in	Brown
LN11	Lennox*	White	Room Darkening	5	110"	3.25 in	2.25 in	White
L60	Linen Sheer	Almond	Light Filtering	3	94"	3 in	2 in	Ivory
L63	Linen Sheer	Charcoal	Light Filtering	3	94"	3 in	2 in	Gray
L59	Linen Sheer	Ecru	Light Filtering	3	94"	3 in	2 in	Ivory
LK05	Loki*	Bark	Room Darkening	5	108"	4 in	2.75 in	Bronze
LK01	Loki*	Beige	Room Darkening	5	108"	4 in	2.75 in	Beige
LK02	Loki*	Charcoal	Room Darkening	5	108"	4 in	2.75 in	Gray
LK03	Loki*	Natural Gray	Room Darkening	5	108"	4 in	2.75 in	Gray
LK04	Loki*	White	Room Darkening	5	108"	4 in	2.75 in	Gray
M55	Lustre	Pearl	Light Filtering	4	94"	3 in	2 in	Ivory
M58	Lustre	Pewter	Light Filtering	4	94"	3 in	2 in	Gray
M56	Lustre	Silver	Light Filtering	4	94"	3 in	2 in	Gray
M57	Lustre	Steel	Light Filtering	4	94"	3 in	2 in	Gray
MR01	Marseille**	Driftwood	Light Filtering	4	106"	5.5 in	4 in	Gray
MR03	Marseille**	Ivory	Light Filtering	4	106"	5.5 in	4 in	Beige
MR02	Marseille**	Sky	Light Filtering	4	106"	5.5 in	4 in	Gray
MR04	Marseille**	Toffee	Light Filtering	4	106"	5.5 in	4 in	Bronze
D42	Milan	Anthracite	Light Filtering	3	110"	3 in	2 in	Black
D39	Milan	Ivory	Light Filtering	3	110"	3 in	2 in	Ivory
D41	Milan	Silver	Light Filtering	3	110"	3 in	2 in	Gray
D40	Milan	White Gold	Light Filtering	3	110"	3 in	2 in	Ivory
LB120	Nantucket*	Driftwood	Room Darkening	5	110"	3.25 in	2 in	Gray
LB121	Nantucket*	Gray	Room Darkening	5	110"	3.25 in	2 in	Gray
LB119	Nantucket*	Sand	Room Darkening	5	110"	3.25 in	2 in	Ivory
W31	Sierra	Champagne	Light Filtering	2	110"	3 in	2 in	Ivory
W35	Sierra	Chocolate	Light Filtering	2	110"	3 in	2 in	Brown
W34	Sierra	Clay	Light Filtering	2	110"	3 in	2 in	Beige
W33	Sierra	Earth	Light Filtering	2	110"	3 in	2 in	Ivory
W32	Sierra	Eggshell	Light Filtering	2	110"	3 in	2 in	Beige
W37	Sierra	Mineral	Light Filtering	2	110"	3 in	2 in	Gray
W36	Sierra	Steel Blue	Light Filtering	2	110"	3 in	2 in	Gray
GB2105	Umbria*	Chocolate	Room Darkening	5	110"	3.25 in	2 in	Brown
GB1101	Umbria*	Clay	Room Darkening	5	110"	3.25 in	2 in	Gray
GB2104	Umbria*	Latte	Room Darkening	5	110"	3.25 in	2 in	Ivory
GB1100	Umbria*	Ocher	Room Darkening	5	110"	3.25 in	2 in	Ivory
GB199	Umbria*	Platinum	Room Darkening	5	110"	3.25 in	2 in	Ivory
GB198	Umbria*	White	Room Darkening	5	110"	3.25 in	2 in	White
EB1110	Vicenza*	Black	Room Darkening	4	110"	3.25 in	2 in	Black
EB1109	Vicenza*	Charcoal	Room Darkening	4	110"	3.25 in	2 in	Black
EB2118	Vicenza*	Chocolate	Room Darkening	4	110"	3.25 in	2 in	Brown
EB2114	Vicenza*	Clay	Room Darkening	4	110"	3.25 in	2 in	Gray
EB2117	Vicenza*	Earth	Room Darkening	4	110"	3.25 in	2 in	Brown
EB2113	Vicenza*	Gray	Room Darkening	4	110"	3.25 in	2 in	Gray
EB1108	Vicenza*	Ivory	Room Darkening	4	110"	3.25 in	2 in	Ivory
EB2116	Vicenza*	Pewter	Room Darkening	4	110"	3.25 in	2 in	Gray
EB2111	Vicenza*	Silver	Room Darkening	4	110"	3.25 in	2 in	Ivory
EB2115	Vicenza*	Steel	Room Darkening	4	110"	3.25 in	2 in	Gray

* Pattern requires large bottom rail.

* Pattern not available with cordless system.

Control Options – Clutch, Cordless and Wand Control

Clutch Control Shades

- Metal chain is standard.

Clutches and loop tensioners are always clear. Cord loops come size closest to 3/4 length of shade is standard. A different size may additional charge.

Compliant cord tensioners are provided with clutch control shades. Cord tensioners secure the cord loop to the wall or window. They must be installed for the shade to be compliant with safety regulations and to operate properly.

Standard Cord Lengths
19.5"
29.5"
39"
49"
59"
69"
79"
89"
98"



Cordless Control

- Easy to use cordless system
- Bottom rail will match the shade component color
- Fabric wrapped bottom rail not available
- Lift Assist pole available to help raise and lower. Pole telescopes to 53"

Pricing	Net
Cordless System	\$76



Lift Assist



Cordless Handle with Lift Assist



Wand Control

Pro Wand control shades are a good alternative to cordless when the window or shade side makes it difficult to raise or lower the shade.

- Pro Wand shades are powered by a rechargeable battery motor and are operated using a wand, which hangs to the side of the shade.
- Motor easily charged using port in the bottom of the wand handle.
- Only available in white
- Available in 4 wand lengths: 24", 36", 48" and 60".

Pricing	Net
Wand Control Motor	\$105
Wand Motor Charger	\$33



Wand Handle



Charging Port



Control Options – Remote Control

Motors

- Standard – Re-chargeable lithium ion battery
- Plug – requires nearby power outlet for continuous power
- Battery Pack – External re-chargeable lithium-ion battery pack.
- Battery Tube – External tube powered with AA batteries.

Operation

- Remotes are available in single or 15 channel remotes and each channel can operate up to 20 shades.
- Wall switches are available 15 channel switches remotes and each channel can operate up to 20 shades.
- Pro Hub provides automated control capabilities through smart phones or other devices.
 - Connects through 2.4 GHz Wi-Fi or directly to router with ethernet cable.
 - Works with Connector+ App, Amazon Alexa, Control4, Google Home, IFTTT, RTI, Samsung Smart Things, and Siri Short Cuts.



15 Channel Wall Switch



15 Channel Remote



Pro Hub

Motorization Pricing	Net
Remote Control Motors	
Standard	\$181
External Power Plug	\$181
External Battery Pack	\$181
External Battery Tube	\$181
Power	
Remote Charger (16 ft)	\$32
Controls	
15 Channel Remote	\$47
15 Channel Wall Switch	\$47
Pro Connector Hub	\$180

Motors

Motor Option	(Standard)	(12V DC)	(Battery Pack)	(Battery Tube)
Motor Type	Standard Lift	Standard Lift	Standard Lift	Standard Lift
Power Type	Internal Battery	External Power	External Battery	External Battery
Power Supply	Rechargeable Lithium Ion Battery	External Plug	Rechargeable Lithium-Ion Battery Pack	AA Battery Tube
Charger	•16.5' Micro USB-C	N/A	•16.5' Micro USB-C	N/A
Available Controls	•15 Channel Remote •15 Channel Wall Switch	•15 Channel Remote •15 Channel Wall Switch	•15 Channel Remote •15 Channel Wall Switch	•15 Channel Remote •15 Channel Wall Switch
Automation	Pro Hub	Pro Hub	Pro Hub	Pro Hub

Price Charts

Fabric Wrapped	24"	30"	36"	42"	48"	54"	60"	66"	72"	84"	96"	110"
Bottom Rail	30	39	48	55	63	70	87	87	93	110	125	142
Square Cassette	84	84	84	84	84	84	84	84	84	84	84	84

Group 1		Asti	Conway											
		Width to:	24"	30"	36"	42"	48"	54"	60"	66"	72"	84"	96"	110"
Length to:	36"	224	239	255	274	291	307	334	357	376	440	503	566	
	42"	234	254	274	293	313	353	392	417	440	513	586	660	
	48"	246	268	291	313	357	402	446	476	503	586	671	755	
	54"	255	280	307	353	402	453	503	537	566	660	755	848	
	60"	268	296	334	392	446	503	559	595	630	733	838	944	
	66"	279	309	370	429	492	553	613	655	691	807	923	1036	
	72"	291	334	402	470	537	605	672	714	755	880	1006	1131	
	78"	302	362	436	510	582	653	727	772	817	953	1089	1226	
	84"	313	392	470	547	625	704	783	834	880	1028	1174	1320	
	90"	334	420	503	586	672	755	838	894	944	1099	1257	1415	
	96"	357	446	537	625	714	804	895	952	1006	1174	1340	1509	
108"	402	503	605	704	804	904	1006	1070	1131	1320	1509	1697		

Group 2		Sierra												
		Width to:	24"	30"	36"	42"	48"	54"	60"	66"	72"	84"	96"	110"
Length to:	36"	272	288	303	321	338	355	386	411	435	507	581	652	
	42"	280	302	321	340	360	406	452	481	507	593	676	761	
	48"	293	316	338	360	412	464	516	548	581	676	772	869	
	54"	303	329	355	406	464	521	581	618	652	761	869	978	
	60"	316	344	386	452	516	581	645	685	726	845	965	1087	
	66"	328	357	426	495	567	636	709	755	796	929	1063	1195	
	72"	338	386	464	542	620	695	772	822	869	1013	1159	1304	
	78"	350	418	503	586	671	754	837	891	941	1098	1256	1412	
	84"	360	452	542	631	719	811	902	960	1013	1182	1350	1521	
	90"	386	484	581	676	772	869	965	1029	1087	1267	1447	1630	
	96"	412	516	620	719	824	927	1030	1096	1159	1350	1546	1738	
108"	464	581	695	811	927	1043	1159	1233	1304	1521	1738	1956		

Group 3		Linen Sheer	Milan											
		Width to:	24"	30"	36"	42"	48"	54"	60"	66"	72"	84"	96"	110"
Length to:	36"	316	334	353	371	387	406	412	454	480	558	637	717	
	42"	328	350	371	392	412	464	481	528	558	652	743	838	
	48"	340	364	387	412	471	529	548	605	637	743	851	957	
	54"	353	380	406	464	529	596	618	679	717	838	957	1075	
	60"	364	394	441	516	590	662	686	756	797	929	1063	1196	
	66"	376	410	486	567	648	728	756	831	878	1023	1170	1315	
	72"	387	441	529	618	707	795	824	905	957	1116	1275	1434	
	78"	400	480	574	671	765	862	894	982	1036	1209	1382	1555	
	84"	412	516	618	721	824	927	962	1057	1116	1302	1489	1674	
	90"	441	552	662	772	882	993	1030	1132	1196	1397	1595	1793	
	96"	471	590	707	824	941	1059	1098	1208	1275	1489	1701	1914	
108"	529	662	795	927	1059	1192	1237	1361	1434	1674	1914	2153		

* Any orders with a product over 90" width will have an additional oversized fee. See full shipping policy for details.

Price Charts

Fabric Wrapped	24"	30"	36"	42"	48"	54"	60"	66"	72"	84"	96"	110"
Bottom Rail	30	39	48	55	63	70	87	87	93	110	125	142
Square Cassette	84	84	84	84	84	84	84	84	84	84	84	84

Group 4	Ada	Celeste	Coventry	Emerson	Irvine	Lustre	Vicenza						
	Width to:	24"	30"	36"	42"	48"	54"	60"	66"	72"	84"	96"	110"
Length to:	36"	393	411	428	446	464	484	524	557	586	685	783	881
	42"	405	426	446	467	489	551	611	649	685	798	911	1028
	48"	417	440	464	489	559	629	700	741	783	911	1043	1173
	54"	428	456	484	551	629	707	785	835	881	1028	1173	1320
	60"	440	470	524	611	700	785	874	927	978	1141	1304	1466
	66"	453	487	576	673	768	864	960	1021	1075	1255	1434	1613
	72"	464	524	629	733	838	944	1047	1113	1173	1369	1563	1760
	78"	476	569	683	795	908	1021	1136	1205	1272	1483	1695	1906
	84"	489	611	733	856	978	1099	1221	1298	1369	1596	1825	2053
	90"	524	655	785	917	1047	1178	1309	1390	1466	1712	1956	2200
	96"	559	700	838	978	1118	1257	1398	1483	1563	1825	2084	2346
108"	629	785	944	1099	1257	1414	1572	1670	1760	2053	2346	2641	

Group 5	Lennox	Loki	Nantucket	Umbria									
	Width to:	24"	30"	36"	42"	48"	54"	60"	66"	72"	84"	96"	110"
Length to:	36"	474	491	507	524	542	558	605	644	679	793	905	1036
	42"	486	504	524	543	565	635	706	750	793	926	1057	1209
	48"	495	518	542	565	645	726	804	857	905	1057	1208	1385
	54"	507	533	558	635	726	816	905	964	1019	1190	1359	1562
	60"	518	546	605	706	804	905	1006	1071	1132	1321	1510	1729
	66"	529	561	664	775	886	998	1108	1178	1245	1453	1661	1903
	72"	542	605	726	845	967	1088	1208	1285	1359	1584	1812	2076
	78"	552	655	785	917	1047	1178	1309	1392	1473	1718	1962	2247
	84"	565	706	845	987	1128	1268	1410	1499	1584	1850	2114	2421
	90"	605	755	905	1057	1208	1359	1510	1608	1700	1982	2265	2594
	96"	645	804	967	1128	1288	1450	1612	1715	1812	2114	2417	2767
108"	726	905	1088	1268	1450	1631	1812	1929	2039	2378	2720	3112	

* Any orders with a product over 90" width will have an additional oversized fee. See full shipping policy for details.

Warranty

Limited Lifetime Warranty

This product is warranted against defects in materials and workmanship, provided that:

1. The product was installed according to the product instructions.
2. Our recommendations were followed regarding limitations and specifications of the product.

CACO, Inc. reserves the right to determine if your shade warrants a repair or partial replacement of any parts. If necessary, CACO, Inc. will replace your shade with a new shade of equal or superior value. This shall be your sole remedy under this warranty.

Your shade may also show some fading and discoloration over time. This is not considered a defect for the purposes of this warranty.

This Limited Lifetime Warranty excludes all motors, controls and accessories that are warranted for only a period of five years from the date of purchase. Failure to follow the proper installation, charging and use instructions will invalidate the warranty for motors, remotes, wands and hubs.

This Limited Lifetime Warranty applies only to the original retail purchaser with proof of purchase.

This Limited Lifetime Warranty does not cover the removal or installation of original or replacement shades. This Limited Lifetime Warranty does not cover damage or defects caused by, or resulting from improper maintenance, neglect or improper use, wear and tear, abuse, neglect, accidents, alteration, commercial use, installation, removal or reinstallation or exposure to excessive moisture.

Your Rights Under State Law

These warranties give you specific legal rights. You may also have other rights which may vary from State to State. In no event shall CACO, Inc. be liable for incidental or consequential damages or for any other direct or indirect damage, loss, cost, expense or fee. Some states do not allow the exclusion or limitation of incidental or consequential damages, so the above limitation or exclusion may not apply to you. These warranties are exclusive and in lieu of all other obligations, liabilities, disclaimers or warranties.

SHEER SHADE FEATURES & BENEFITS

- Horizontal fabric vanes float between two layers of soft, knitted fabric sheers, to soften your view outside fabrics.
- All Sheer fabric vane colors are featured between two layers of sheer fabric.
- Available to widths of 116" and drops to 144" to provide visual elegance to the widest of windows.
- Vanes glide from open to closed to "out of sight" with elegant hardware.
- Four distinctly different variations of vane positions are available for numerous combinations of privacy, view and light control.
- An adjustable weight system in the bottom rail for on-the-spot skew adjustment for a balance appearance in the window.
- One headrail style to maintain your sophisticated look.
- Low side light gap provides minimal light leakage on shading sides and above the headrail for increased privacy.
- Easy to install hardware and brackets allows for effortless installations and easy removal for cleaning.
- May be ultrasonically or traditionally cleaned to stay bright and beautiful.
- Lifetime Limited Warranty as a commitment to your satisfaction.
- Sheer fabrics may be processed with a topical treatment to resist flames and to adhere to strict flammability codes. For more information, contact CACO, Inc.
- Available with multiple operating systems including standard loop control, cordless and several motorization options.

Fabric Collections:

Sheer Shades are available with three different fabric vane sizes, 2", 2 1/2" and 3". Light filtering fabric gently filters light while room darkening casts deep room darkening shadows. Please note that room darkening is not a blackout fabric.

Viewing Options

Sheerview Horizontal shades provide a number of varied views to the outside for controlling light and privacy. Consequently, there are variations in visibility through the shades when the vanes are tilted to their maximum open positions. The following four modes can be obtained with standard shading operation when viewing the shading at eye level.

- Closed top, open bottom - By partially lowering the shade from the fully raised position, the upper portion of your window will become semi-opaque while allowing a clear view below.
- Fully private - When lowered completely, the shade provides complete privacy and softly diffuses light.
- Partially open - Opening the shade slightly will gradually increase the level of light and allow varying levels of "view-through."
- View-through when lowered - By completely opening the vanes, the shade provides a softened, veiled view to the outside.

Measuring

Inside Mount

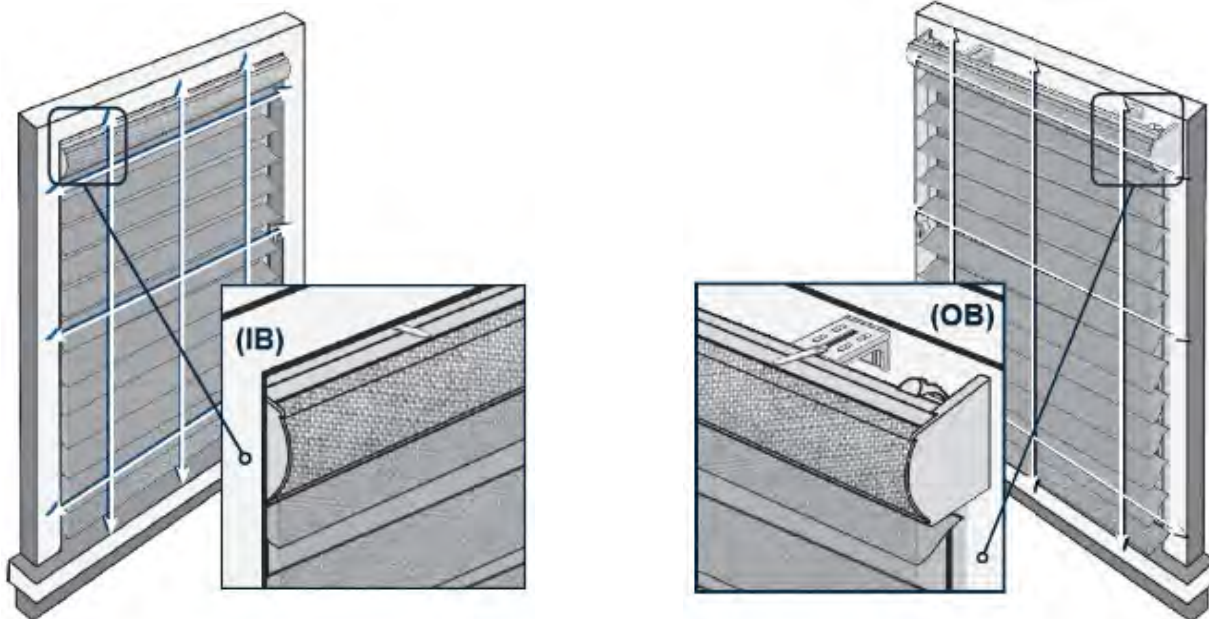
Measure across the width of your window opening in three different places - top, middle and bottom. Measurements should be taken within the window jamb. Provide the smallest of the three measurements to your fabricator. Be exact. Your fabricator will make the necessary deductions to fit the window opening.

Measure the height of the window opening from the underside of the soffit to the surface of the windowsill in two places - use the smallest of these two measurements.

Outside Mount

Measure the exact width and height of the area to be covered. On the width, allow at least 1 1/2" of an overlap on each side. An overlap of 3" on each side is recommended.

Be sure to take into consideration any obstructions such as window trim, molding, locks and window cranks. such as window trim, molding, locks and window cranks.



Design & Operation

Shade Operation

Sheer shades feature the Continuous Cord System or the Motorized System. Both Systems provide the ability to manipulate the shade into various viewing positions. From the closed and retracted position (fabric inside the headrail), lower the fabric by pulling down on the rear of the loop cord until you reach the desired shading position or press the down arrow of the remote control. Once lowered completely to the windowsill, continuing to pull the cord in the same direction, or pressing the down arrow on the remote control, will open the horizontal fabric vanes, offering varied views to the outside. To retract the shading, simply pull down on the front of the cord, or press the up arrow of the remote control, until the shade reaches the desired viewing mode or fabric position.



Headrail Information:

The Sheerview comes with a standard headrail wrapped in a color coordinated fabric with an option of color coordinated aluminum, unless otherwise specified. Headrail measurements include end caps and will measure ordered width minus: 1/8"

Side-by-Side Alignment:

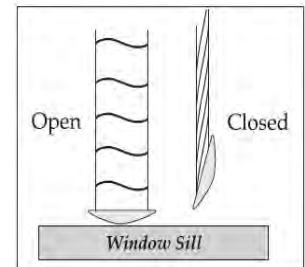
When sheer shades are installed side-by-side, vane alignment can be guaranteed within 1/4" only if:

- The shades are the same color and ordered at the same time.
- The sum total of the widths of all shades needing alignment is less than 102".
- Side-by-side lineup must be specified when the order is placed.

Vane Closure

Sheer shade fabric vanes overlap and provide privacy when closed. However, the inherent nature of the fabric will cause a slight increase in the distance from the front sheer to back sheer as you move further down the shade. These vanes do not form a perfect seal against light leakage which is most visible toward the bottom of the shade.

Vane closure is measured as the distance between the front and rear fabric sheers 6" up from the lowest point of the bottom rail, with the shade fully lowered and the vanes closed. For sheer shades, the maximum distance from the front sheer to the back sheer when closed is 7/8". On room darkening fabrics, the distance is 5/8". Vane closure on all 3" fabrics will have a distance of 1"



Finished Dimensions:

Once ordered and manufactured, the width of the fabric cannot be altered. The Manufacturer makes deductions to the width of window shadings depending on the type of mounting indicated. For all mounting types, the fabric will measure exactly the length ordered when the vanes are in the open or "view-through" position. When the vanes are rotated to the closed position, the shading will become 3/8" longer.

Height Considerations:

Your will be fabricated to the exact height ordered, when the vanes are in the closed position. When the vanes are rotated to the open position, the shade will become slightly longer.

When opened on an inside mount, the shading will be slightly longer than the ordered length. A slight puckering may occur when the vanes are in the open position. Rotating the vanes closed will cause the bottom rail to touch the windowsill before it begins to raise.

Length Considerations:

When closed on an inside mount, a slight furrow may occur on the lowermost sheer section because of contact with the sill. To compensate, slightly raise the shading until the rail begins to lift off the window sill. If preferred, the shading can be ordered 3/8" less than the measured height of the window opening. In this case, the bottom rail will be positioned 3/8" above the sill when the vanes are in the open position. Rotating the vanes closed will cause the bottom rail to touch the window sill and thus closing any unwanted space.

Fabric Considerations:

Due to variations in fabric weave and environmental conditions, the finished dimensions for both width and height may vary, plus or minus 1/8", from your order measurements. (IB) Fabric will measure ordered width minus: 15/16" (OB) Fabric will measure ordered width minus: 13/16"

Leveling Sheerview Horizontal Shades:

Sheer shades are leveled and weighted in the factory. When installed level, the fabric will not skew when raised. If the headrail is not installed level, skewing can occur that can damage the edge of the fabric. Be sure to follow the installation instructions carefully to ensure correct and balanced operation.



Note: Adjustable counter weight keeps sheer shade level.

Skew Adjusting Bottom Rail:

After installation, windows that are not square and level may cause the shadings to shift to one side as it rolls up, requiring adjustment of the bottom rail. To adjust the fabric, the weight in the bottom rail can be slid from one end to the other. If the fabric is skewing to the right, loosen the weight with a screwdriver and slide the weight to the right etc.

BRACKETS

Easy to install One Clip Brackets, come with shims to even the shade if the window jamb is uneven.



STOPPERS

Prevents the bottom-rail from looping up into the headrail when raised up, or with motorization.



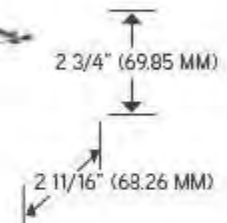
CURVED HEADRAIL
 (standard option)

Matching fabric wrapped comes standard



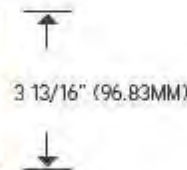
FLAT HEADRAIL
 (upgrade option)

Metal or matching fabric wrapped



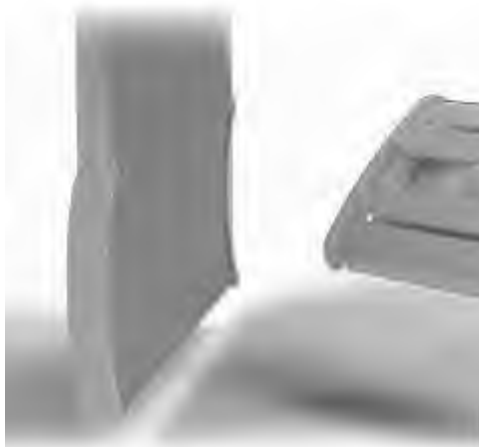
BACK

FRONT



BACK

FRONT



BOTTOM-RAIL
 PATENT PENDING

Bottom-Rail features a superior design that reduces light gap when the SHEERVIEW SHADINGS is in the lowered/closed position.

Adjustable counter weight keeps sheer shade level

Fabric Selections

2" Non-Woven Light Filtering

S50PN100	Bright White
S50PN112	Alabaster
S50PN113	Winter White
S50PN206	Blossom
S60PN302	Sesame
S50PN322	Beige
S50PN378	Java
S50PN823	Granite

2.5" Non-Woven Light Filtering

S65BN206	Blossom
S65BN311	Heather
S65BN312	Blush
S65BN322	Beige
S65BN627	Waterfall
S65BN823	Granite

3" Non-Woven Light Filtering

S70PN100	Bright White
S70PN112	Alabaster
S70PN322	Beige
S70PN113	Winter White
S70PN206	Blossom
S70PN302	Sesame
S70PN823	Granite
S70PN378	Java
S70PN126	Luna
S70PN323	Romance
S70PN824	Rhinestone
S70PN821	Dusty Blue
S70PN503	Coastal Plain
S70PN507	Celadon
S70PN317	Plank

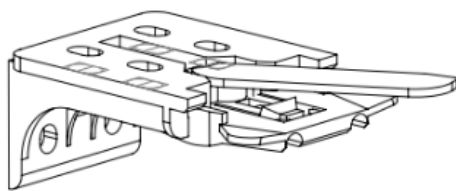
2" Non-Woven Room Darkening

S50PN100D	Bright White
S50PN125D	Linen
S50PN145D	Biscuit
S50PN322D	Beige
S50PN378D	Java
S50PN414D	Cornsilk
S50PN823D	Granite

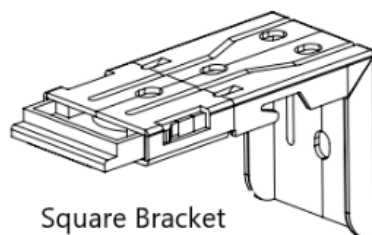
3" Non-Woven Room Darkening

S70PN016D	Midnight
S70PN029D	Royal Blue
S70PN100D	Bright White
S70PN111D	Eggshell
S70PN114D	Greek Villa
S70PN125D	Linen
S70PN145D	Biscuit
S70PN303D	Khaki
S70PN312D	Barcelona Beige
S70PN321D	Natural Tan
S70PN322D	Beige
S70PN334D	Brick
S70PN378D	Java
S70PN414D	Cornsilk
S70PN823D	Granite
S70PN822D	Lazy Gray

System	Mount	Headrail Deduction	Fabric Deduction
Cordless	Inside	1/8"	1 1/8"
	Outside	None	3/4"
Clutch	Inside	1/8"	1"
	Outside	None	7/8"
Motorized	Inside	1/8"	1 1/8"
	Outside	None	7/8"



Standard Bracket



Square Bracket

Sheerview Horizontal Shade Collection

Price Charts Non-Woven - Light Filtering



Chart 1 2" Non-Woven Light Filtering

		Alabaster	Beige	Blossom	Bright White		Granite	Java	Winter White					
Width to:		24"	30"	36"	42"	48"	54"	60"	66"	72"	84"	96"	108"	116"
Length to:	36"	645	719	794	865	942	1017	1089	1167	1350	1507	1656	1821	2095
	42"	675	755	833	919	996	1084	1167	1250	1435	1604	1768	1944	2235
	48"	715	794	883	969	1061	1150	1247	1339	1528	1703	1886	2076	2387
	54"	738	832	927	1024	1125	1223	1323	1428	1620	1806	2011	2214	2544
	60"	770	876	975	1079	1179	1290	1401	1512	1697	1919	2142	2354	2706
	66"	799	913	1023	1133	1250	1364	1490	1606	1792	2037	2276	2502	2879
	72"	833	954	1069	1186	1313	1443	1576	1697	1886	2144	2404	2644	3040
	78"	853	984	1109	1234	1365	1506	1638	1777	1974	2249	2517	2771	3186
	84"	890	1023	1151	1296	1437	1579	1731	1872	2073	2368	2654	2916	3356
	90"	926	1061	1200	1352	1501	1660	1808	1962	2170	2482	2786	3066	3525
	96"	956	1107	1253	1409	1576	1731	1893	2052	2270	2597	2914	3208	3688
	102"	1084	1250	1415	1589	1752	1909	2122	2332	2486	2817	3137	3454	3970
	108"	1140	1310	1483	1670	1837	2006	2229	2446	2611	2958	3300	3632	4176
	114"	1207	1388	1570	1768	1956	2132	2365	2597	2771	3137	3501	3852	4427
	120"	1290	1480	1684	1890	2081	2276	2524	2771	2962	3357	3740	4116	4730
	132"	1483	1703	1938	2173	2391	2618	2903	3188	3405	3860	4302	4730	5441
144"	1707	1956	2227	2499	2751	3015	3337	3664	3917	4441	4946	5441	6260	

Chart 2 2 1/2" Non-Woven Printed Light Filtering

		Beige	Blossom	Blush	Granite	Heather	Waterfall							
Width to:		24"	30"	36"	42"	48"	54"	60"	66"	72"	84"	96"	108"	116"
Length to:	36"	741	826	913	995	1081	1169	1253	1344	1553	1730	1906	2080	2409
	42"	778	868	959	1059	1148	1250	1344	1435	1652	1844	2034	2236	2562
	48"	822	913	1016	1115	1220	1323	1434	1538	1758	1958	2171	2387	2744
	54"	849	956	1066	1179	1294	1403	1522	1644	1863	2079	2313	2544	2927
	60"	883	1009	1123	1241	1356	1483	1611	1740	1953	2205	2461	2706	3113
	66"	919	1072	1178	1302	1435	1569	1715	1847	2058	2341	2618	2879	3311
	72"	959	1094	1230	1365	1510	1658	1811	1953	2171	2465	2765	3040	3496
	78"	980	1131	1275	1420	1570	1729	1885	2044	2269	2584	2898	3188	3664
	84"	1022	1178	1324	1491	1653	1815	1990	2151	2382	2726	3052	3357	3859
	90"	1064	1220	1379	1555	1726	1911	2080	2257	2508	2852	3204	3525	4053
	96"	1099	1273	1442	1620	1811	1990	2179	2360	2608	2984	3353	3688	4239
	102"	1250	1435	1625	1826	2014	2195	2440	2679	2861	3239	3608	3971	4565
	108"	1312	1507	1707	1920	2111	2307	2566	2811	3002	3403	3797	4176	4801
	114"	1389	1597	1805	2034	2249	2451	2717	2984	3188	3608	4026	4428	5091
	120"	1483	1703	1938	2173	2391	2618	2903	3188	3405	3860	4302	4730	5441
	132"	1707	1956	2227	2499	2751	3010	3337	3664	3917	4441	4946	5441	6260
144"	1960	2250	2562	2874	3164	3460	3838	4214	4504	5107	5688	6258	7197	

Chart 3 3" Non-Woven Light Filtering

		Alabaster	Beige	Blossom	Bright White		Celadon	Coastal Plain		Dusty Blue		Luna		
Width to:		24"	30"	36"	42"	48"	54"	60"	66"	72"	84"	96"	108"	116"
Length to:	36"	727	806	891	972	1059	1144	1226	1313	1520	1693	1863	2051	2355
	42"	757	851	937	1034	1123	1221	1313	1403	1616	1803	1988	2188	2514
	48"	804	894	994	1091	1191	1295	1401	1506	1722	1915	2121	2334	2683
	54"	831	936	1043	1155	1261	1373	1488	1607	1821	2033	2265	2489	2865
	60"	865	987	1095	1212	1324	1449	1578	1702	1909	2158	2408	2649	3047
	66"	899	1024	1153	1277	1403	1536	1679	1806	2014	2289	2562	2817	3238
	72"	937	1071	1202	1336	1479	1624	1770	1844	2121	2412	2703	2972	3419
	78"	959	1108	1250	1388	1538	1693	1845	1999	2218	2530	2835	3117	3586
	84"	1001	1153	1295	1458	1616	1774	1947	2107	2332	2668	2984	3284	3777
	90"	1042	1191	1350	1522	1690	1871	2035	2210	2440	2793	3133	3446	3964
	96"	1077	1244	1402	1584	1770	1948	2132	2309	2552	2921	3280	3609	4150
	102"	1221	1407	1590	1788	1974	2146	2388	2620	2795	3169	3529	3883	4465
	108"	1282	1475	1669	1877	2066	2257	2509	2751	2938	3330	3712	4085	4696
	114"	1358	1562	1768	1988	2200	2395	2661	2916	3116	3529	3938	4331	4981
	120"	1450	1662	1892	2127	2339	2560	2839	3116	3330	3777	4208	4629	5323
	132"	1669	1912	2176	2446	2691	2944	3266	3586	3830	4344	4841	5322	6120
144"	1919	2200	2502	2811	3096	3385	3756	4121	4403	4993	5566	6118	7042	

* Any orders with a product over 90" width will have an additional oversized fee. See full shipping policy for details

Sheerview Horizontal Shade Collection
Price Charts Woven – Room Darkening



Chart 4 2" Non-Woven Room Darkening

		Beige	Biscuit	Bright White	Cornsilk	Granite	Java	Linen						
Width to:		24"	30"	36"	42"	48"	54"	60"	66"	72"	84"	96"	108"	116"
Length to:	36"	727	788	872	954	1034	1119	1198	1283	1485	1656	1821	2006	2306
	42"	742	831	917	1011	1095	1194	1283	1373	1579	1761	1944	2137	2458
	48"	785	872	972	1066	1164	1265	1372	1471	1683	1873	2076	2283	2625
	54"	811	916	1021	1128	1236	1345	1457	1572	1780	1987	2214	2435	2802
	60"	847	964	1074	1185	1297	1418	1540	1664	1869	2110	2354	2591	2979
	66"	881	1002	1126	1245	1373	1501	1639	1767	1970	2242	2501	2754	3167
	72"	917	1048	1177	1305	1444	1587	1731	1866	2076	2359	2644	2908	3343
	78"	937	1081	1221	1360	1501	1653	1801	1956	2170	2473	2771	3048	3505
	84"	977	1126	1267	1427	1582	1739	1905	2057	2278	2605	2920	3211	3693
	90"	1017	1164	1321	1488	1652	1827	1989	2158	2387	2731	3066	3371	3875
	96"	1052	1215	1375	1550	1731	1905	2083	2257	2496	2854	3208	3528	4058
	102"	1194	1373	1555	1746	1927	2100	2335	2565	2735	3100	3454	3797	4366
	108"	1254	1442	1631	1837	2021	2205	2453	2689	2874	3256	3632	3994	4593
	114"	1327	1527	1725	1944	2152	2343	2601	2854	3048	3454	3851	4236	4872
	120"	1290	1628	1851	2080	2286	2501	2776	3048	3258	3693	4116	4526	3554
	132"	1631	1873	2131	2390	2631	2879	3192	3505	3747	4245	4730	5205	5984
144"	1707	2152	2449	2749	3026	3308	3671	4031	3312	4884	5441	5984	6882	

Chart 5 3" Non-Woven Room Darkening

		Beige Khaki	Brick Java	Biscuit Linen	Bright White Natural Tan	Cornsilk Royal Blue	Egg Shell	Granite	Greek Villa					
Width to:		24"	30"	36"	42"	48"	54"	60"	66"	72"	84"	96"	108"	116"
Length to:	36"	799	888	980	1069	1163	1258	1347	1444	1670	1863	2051	2254	2592
	42"	835	936	1030	1136	1234	1344	1444	1544	1777	1983	2188	2405	2767
	48"	883	984	1092	1199	1312	1423	1542	1653	1893	2108	2334	2567	2951
	54"	914	1029	1148	1269	1390	1511	1637	1770	2004	2233	2492	2739	3150
	60"	954	1084	1207	1333	1458	1592	1734	1872	2100	2376	2649	2913	3350
	66"	988	1128	1268	1403	1544	1688	1845	1988	2215	2517	2817	3099	3562
	72"	1030	1179	1323	1469	1626	1785	1946	2100	2334	2654	2972	3270	3761
	78"	1053	1217	1373	1527	1690	1863	2029	2200	2439	2786	3117	3428	3943
	84"	1102	1268	1423	1605	1777	1953	2143	2317	2565	2933	3284	3614	4154
	90"	1144	1312	1485	1676	1861	2055	2237	2431	2685	3072	3446	3790	4359
	96"	1183	1368	1550	1744	1946	2145	2346	2541	2809	3214	3609	3970	4565
	102"	1344	1547	1751	1967	2170	2362	2627	2883	3075	3484	3882	4269	4912
	108"	1409	1624	1836	2065	2274	2483	2759	3026	3232	3664	4082	4492	5167
	114"	1493	1717	1944	2188	2418	2637	2927	3211	3427	3882	4331	4766	5478
	120"	1596	1828	2082	2338	2574	2817	3126	3427	3664	4154	4629	5093	5858
	132"	1836	2107	2393	2690	2962	3239	3593	3942	4211	4777	5322	5856	6734
144"	2110	2419	2752	3093	3405	3726	4133	4534	4844	5493	6118	6734	7746	

* Any orders with a product over 90" width will have an additional oversized fee. See full shipping policy for details

Operating Systems, Options & Motorization Surcharges

Standard Features

- Fabric wrapped headrail
- Easy to install one clip brackets with shims to level shim
- Installed stoppers to prevent bottom rail from looping up into headrail when fully raised
- Bottom rail design reduces light gap when shade is in the fully lowered/closed position
- Adjustable counter weight helps to keep sheer shade level
- Braided polyester cord control loops
- Safety Cord loop tensioner
- Aluminum color coordinated headrail with fabric insert and color coordinated end caps

Shade Limitations				
	Minimum		Maximum	
	Width	Length	Width	Length
Cord Loop	7 1/2"	11"	116"	144"
Cordless	20"	11"	96"	96"
Motorized	24"	11"	96"	96"

Fabric Width Deductions			
	Idle End	Clutch End	Motor End
Cord Loop	3/8"	5/8"	n/a
Cordless	1/4"	1/4"	n/a
Motorized	3/8"	n/a	3/4"

No Charge Options

- Control position
- Extension Brackets – 4 1/2" L Brackets
- Spacer Blocks - 3/8"
- Hold down brackets
- Custom cord lengths up to 15'. Available in 12" increments only

Minimum Mounting Requirements	
Inside Mount	3 3/4"
Outside Mount	3/4"

Manual Operating System

- Standard Cord Loop Standard Price Grids
- Cordless \$73 Net

Standard Control Lengths	
Shade Height	Standard Loop
12" - 36"	24"
36" - 48"	36"
48" - 72"	48"
72" - 96"	60"
96" - 120"	72"

Motorzation

Two available options: Wand Remote or Rechargeable Lithium Battery Motor

- Wand Remote including USB cable for charging \$112 Net
- Lithium Rechargeable battery motor installed \$225 Net
 - USB Charger \$23 Net
 - Single Channel Remote \$33 Net
 - 15 Channel Remote \$52 Net
 - Please Specify number of remotes, at least one remote control will be required.



Child Safety, Care and Warranty

Child Safety

Our Sheer Shadings are designed with child safety as a priority. To reduce the risk of strangulation, our fabrication methods incorporate features to comply with the current ANSI cord safety standard. Fabrication methods include cord stops, Cord-Shield cording, and tension devices.

Caring for Shades

The soft, delicate feel of the fabric belies the durability of the material. It is made from a sturdy, knitted polyester fabric which can be feather dusted or vacuumed at a low setting. Spots or stains can be lightly rubbed clean with a damp sponge and mild soap. To avoid discoloration of the material, we recommend against the use of chemical cleaners. The sheer fabric may also be ultrasonically cleaned. **Important: Do not clean the fabric using electrostatic wipes such as Swiffer® or Pledge Grab-It®.**

Policies & Warranties

Sheer Fabric

Knitted fabric may experience minor weave variations due to heat, humidity and other room conditions. These variations can result in light bowing, puckering and dimpling of the material. This is considered normal and does not constitute a failure in either workmanship or materials. The possible variations are minor and have been shown through case study, not to detract from the beauty of the product.

Limited Lifetime Warranty

The manufactured product is warranted against original defects in materials or workmanship for as long as the original purchaser owns the product provided that:

- The product was properly installed in a residential or commercial dwelling;
- The product was made or assembled exclusively from the original manufacturer's materials and components;
- The manufacturer's recommendations were followed regarding limitations and specifications.

This warranty extends only the original purchaser of the above stated products.

Obligations to the Consumer are limited to the repair or replacement of parts or products found to be defective. The manufacturer is not responsible for handling shipping charges or labor costs, for measuring and taking the product down.

If repairs are made under this warranty, the repairs will be made with like or similar parts.

Motorization Components and accessories have a five-year limited warranty. Batteries not included.

What the Warranty Does Not Cover

This warranty does not cover conditions or damages caused by abuse, accidents, alterations, misuse, or failure to follow instructions for measurement, installation, use, cleaning, or maintenance. Normal wear and tear, including but not limited to the items or occurrences below, is not covered by the warranty.

All fabrics can lose original intensity after long exposure to the sun. When left for extended periods in direct sunlight, plastics tend to yellow or crack over time. Some loss of color intensity or discoloration may occur in plastic materials or wood finishes when exposed to direct sunlight over long periods of time.

Colors may vary from lot to lot and may not exactly match samples of previous purchases.

The manufacturer considers these items or occurrences normal wear and tear, and they are not covered by this warranty.

THIS WARRANTY IS EXCLUSIVE AND IN LIEU OF ALL OTHER WRITTEN OR ORAL WARRANTIES OR OBLIGATIONS AND LIABILITIES. No person is authorized to extend or alter this warranty. The manufacturer SHALL HAVE NO LIABILITY WHATSOEVER FOR INCIDENTAL OR CONSEQUENTIAL DAMAGES. Some states do not allow the exclusion or limitation of incidental or consequential damages, so this limitation or exclusion may not apply to you. For Service Warranty claims: Please contact the original dealer for warranty assistance.

Conditions of Sale

All products are custom fabricated to your exact specifications. We cannot accept responsibility for errors in ordering or cancellations and changes after the order is in production.

Service and Repair

Service may be obtained by contacting our Customer Service Department. No products, parts, components or other materials will be authorized for return or repair without prior approval from the manufacturer. A Return Authorization (RA) may be obtained by contacting our Customer Service Department. In order to provide the quickest service possible, please have your Work Order number and original order information available when you call.